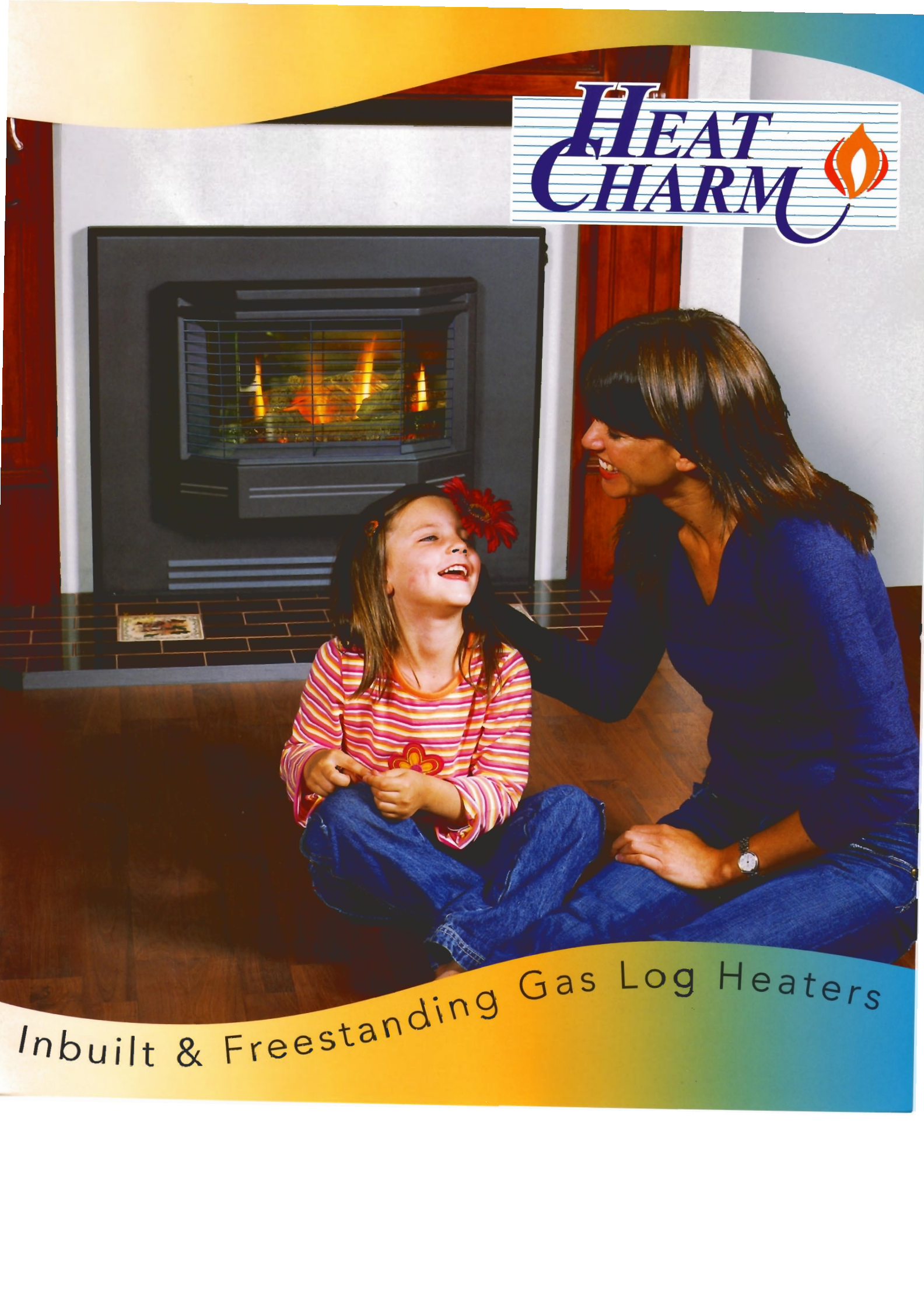


HEAT CHARM



Inbuilt & Freestanding Gas Log Heaters



With Heatcharm's inbuilt gas log heaters you will be charmed by the beauty of woodheating with the convenience of gas log heating.

Dimensions

Overall: Height 720mm, Width 875mm, Depth 605mm,
Weight 75kg

Fascia depth: 180mm

Firebox casing: Height 595mm, Width 695mm, Depth 425mm

Virtually Zero Clearance Installation Capability

- 12mm *minimum* clearance to combustible materials to the side and rear walls.
- 20mm *minimum* clearance on the top horizontal surfaces, (distances are from the firebox casing, NOT the heater fascia).
- 35mm clearance from the flue connection box and flexible aluminium flue pipes.

Flue System

Powered, direct vent system. Two flexible 75mm diameter aluminium pipes (exhaust and combustion air inlet) 3.6 metres long, connecting to the cowl at the roof penetration.

Heating Area

Up to 10 squares (100m²) based on open plan living area with 2.4 metre ceiling height. NOTE: Lack of insulation, large glass areas and cathedral ceilings reduce heating performance.

Colours

Charcoal Metallic, Golden Fire Brown Metallic, Blue/Grey Metallic, Optional Stainless Steel Surround

Specifications	Natural	LPG GAS
Gas input Hi	33 MJ	33 MJ
Gas output Hi	7.2kW (26 MJ)	7.2kW (26 MJ)
Gas input Lo	23 MJ	23 MJ
Gas output Lo	5.0 kW(18 MJ)	5.0 kW(18 MJ)
Star rating	4.6	4.6
Average annual consumption	13,424 MJ	13,424 MJ
Efficiency	81%	81%
Burner pressure Hi	1.0 KPA	2.75 KPA
Burner pressure Lo	0.46 KPA	1.30 KPA



Above and main illustrated with optional extension surround

Freestanding gas log heaters

You will experience the difference of a magnificent realistic looking flame and efficient performance with Heatcharm's freestanding inbuilt gas log heater.

Dimensions

Overall: Height 750mm, Width 600mm, Depth 480mm, Weight 75kg

Standard Flue Kit

Power balanced flue system, 3.6 metres with painted finish with ceiling plate and cowl.

Heating Area

Up to 10 squares (100m²) based on open plan living area with 2.4 metre ceiling height. NOTE: Lack of insulation, large glass areas and cathedral ceilings reduce heating performance.

Colours

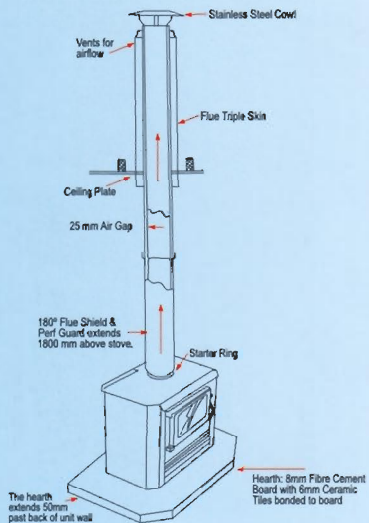
Charcoal Metallic, Golden Fire Brown Metallic, Blue/Grey Metallic



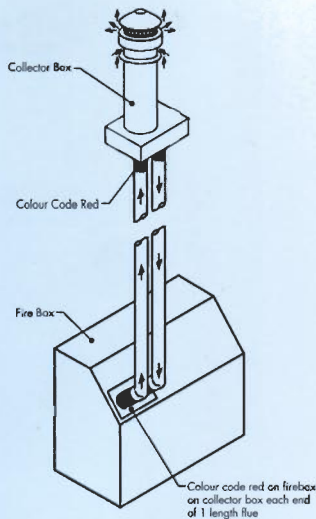
Specifications	Natural	LPG GAS
Gas input Hi	33 MJ	33 MJ
Gas output Hi	7.2kW (26 MJ)	7.2kW (26 MJ)
Gas input Lo	23 MJ	23MJ
Gas output Lo	5.0kW (18 MJ)	5.0kW (18 MJ)
Star rating	4.2	4.2
Average annual consumption	13,624 MJ	13,624 MJ
Efficiency	81%	81%
Burner pressure Hi	1.0 Kpa	2.75Kpa
Burner pressure Lo	0.46 Kpa	1.30 Kpa

Experience the difference

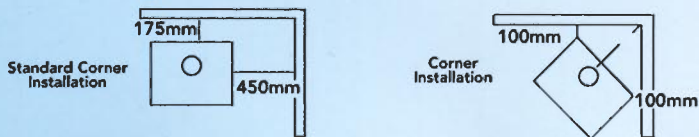
Flue Installation Diagram for Freestanding Gas Heaters



Flue Installation Diagram for Inbuilt Gas Heaters



Minimum Clearances to Combustible Materials for Freestanding Gas Heaters



Heating Areas

Important: Heating areas provided are based on open plan living areas and 2.4 metre ceiling height. Note: Lack of insulation, large window areas and cathedral ceilings reduce heating efficiency.

Warranty

There is a 10 year warranty on the firebox and a 12 month warranty on all other components. Glass excluded.

Environmental & Efficiency Standards

Heatcharm heaters comply with Australian Standards AS/NZ4012:1999 & AS/NZ4013:1999, Power, Performance and Emissions.

Based on our current state of knowledge, all of the information contained in this brochure was correct at the time of printing, January 2004. However, the manufacturer reserves the right to make changes to design and specification without notice. You can confirm current designs, specifications, optional extras and financial details by consulting your nearest authorised Heatcharm dealer.

Your Heatcharm dealer with a difference is:

**Abbey
Fireplaces**

2/34 Winbourne Rd
Brookvale
NSW 2100

Ph: (02) 9939 9848
email: sales@thefireplace.com.au

www.thefireplace.com.au



A.B.N. 61 007 251 569
14-18 Research Dve, Croydon Sth. 3136
Tel: (03) 9761 6581 Fax: (03) 9761 6455



a sponsor of



Heatcharm Gas Log heaters

- Australian made
- Power balanced flue system
- Ideal for asthmatics. No room ventilation is required providing increased warmth and you will not suffer oxygen depletion in home atmosphere
- Panoramic visual flame effect combined with glowing logs
- All electronic operation, On-Off, Hi-Lo, conveniently located on upper surface panel.
- No bending or kneeling to operate
- Beautiful gas flame with realistic looking logs and flame
- High performance, whisper quiet two-speed fan for greater heat distribution
- Easy versatile installation
- Minimal clearances to combustible surfaces
- Easy, convenient and efficient heating
- Install on to flooring, no additional floor protection required
- Delayed fan startup, and switch off

Fuel Requirements

Designed for use with Natural and LPG gas.

Tested and approved to

Tested and certified to the most stringent quality standards for safety and efficiency. AGA approved. Certificate No 6165.

Heatcharm Warranty

All current model Heatcharm Gas heaters are warranted to be free from defects in material or workmanship under normal use and service. The warranty of the actual firebox and heat exchanger is 5 years – to the initial purchaser. All other components (except accidental breakage of door glass) are warranted for a period of 12 months.

Please note: Due to the nature of the printing process, colours may vary from those shown in this catalogue. Ask your dealer to show you a colour sample.

advanz.com.au