

35 Custom Builder

Direct Vent Gas Fireplace



Customise a beautiful gas fireplace to your taste and your decor!

Design your own fireplace to suit your individual style

- Enjoy realistic flames, with low cost & maximum heat!
- Zero clearance - Easy installation
- The 35 Custom Builder ships complete with a standard arched or square metallic black face
- The Model 35 Custom Builder has 7 beautiful face collections to choose from



Neo Classic™ -Brushed Nickel finish



35 Custom Builder Standard Arch™ - Black Painted Finish



French Country™ - Antique Gold Finish



Metropolitan Collection™
Black Painted Finish



Classic Arch™
24 Karat Gold Plated

Mix and match to create warmth, atmosphere and ambience



35 Custom Builder Standard Square - Black Painted Finish



35 Custom Builder Standard Square - Black Painted Finish with 3 Sided Standard Steel Fascia



Bayswater Face - Face Painted Black



35 Custom Builder Standard Square - Black Painted Finish with 3 Sided Stainless Steel Fascia



35 Custom Builder Standard Square - Black Painted Finish with 3 Sided Brushed Aluminium Fascia

Model 35 Custom Builder (CB) 24,000 BTU Direct Vent Zero Clearance Fireplace

Heater Rated

The unique look of Fireplace Xtordinaire is now incorporated into a low cost gas fireplace with high heat output.

Lower Heat Output

Allows for low cost installation, direct contact to drywall, and reduced clearances to combustible mantle.

Realistic Fire

The flickering flames, hand-carved four piece log set and embers combine to create a realistic wood-like fire.

Variable Heat Output

A finely detailed grill transfers heat efficiently into your home. Whisper quiet, 130 CFM thermo controlled convection fan is a standard feature.

Large Ceramic Glass Fireview Area

42cm tall x 75cm wide ceramic glass (not tempered) is standard.

Heating Specifications

Heating Capacity*	43 to 95 Sq. M.
Mj per hour Input (LP)*	25 Mj per hour (high) 15 Mj per hour (low) 25 Mj per hour (high) 14 Mj per hour (low)
Overall Efficiency* (maximum vent configuration)	78.5% (NG) 80.1% (LP)
Overall Efficiency* (minimum vent configuration)	76.7% (NG) 78.6% (LP)

*Gas appliance performance can be affected by negative pressure in a home and by prevailing atmospheric conditions. Contact local building or fire officials about restrictions and installation requirements in your area. Heating capacity may vary depending on the degree of home insulation, floor plan and the ambient temperature zone of the area in which you live.

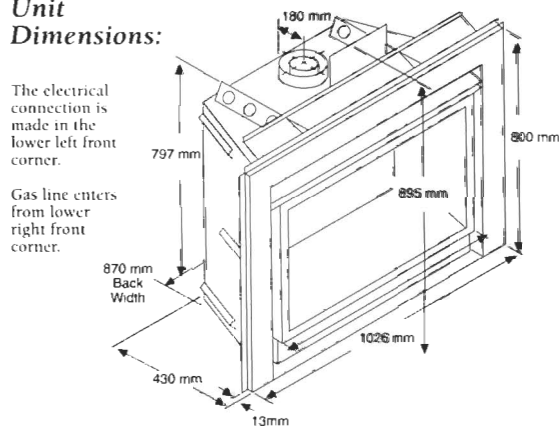
Clearances to Combustibles

See Owner's Manual for non-combustible clearances.

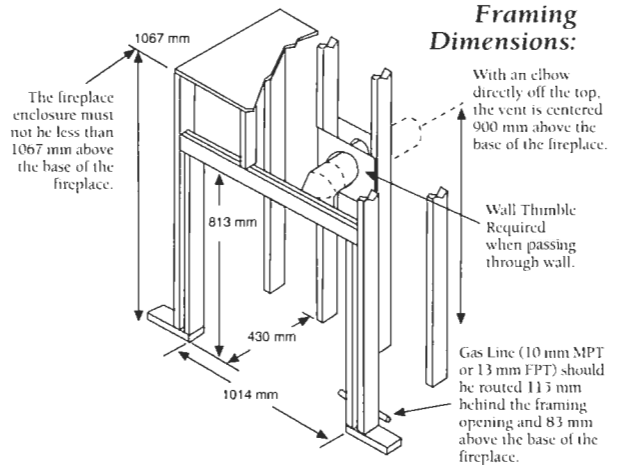
Floor to Mantle*	1067 mm
Edge of Glass Frame to Sidewall	215 mm
Edge of Glass Frame to Side Facing	110 mm
Hearth Extension Front & Sides	None Required

*300mm Maximum Mantle Depth

Unit Dimensions:



NOTE: Improper installation of your gas appliance or failure to operate it in accordance to the guidelines detailed in the Owner's Manual may negate your warranty and endanger your home and family.



Must be installed in accordance with all local codes if any, if not, follow ANSI Z223.1-1992 and NFPA 54(88) and the requirements listed in the Owner's Manual. Complies to AS 4533/A.G.A. 103 - Approval #6295

The dimensions and clearances on this page are for reference only! Refer to the Owner's Manual for operation and exact specifications prior to installation.



COPYRIGHT 2003 T. I.
Kirkland, WA
www.fireplacextrordinair.com

Fireplace Xtordinaire reserves the right to alter or improve its products at any time without notification.

Distributed in Australia
By Dragon Wholesaling Pty Ltd
Ph 1-800-064-234



AUSTRALIAN
HOME HEATING
ASSOCIATION INC

Victorian Agent
Heatmaster Pty Ltd
Ph 02 9761 7130



2/34 Winbourne Rd
Brookvale
NSW 2100

Ph: (02) 9939 9848
email: sales@thefireplace.com.au



www.thefireplace.com.au