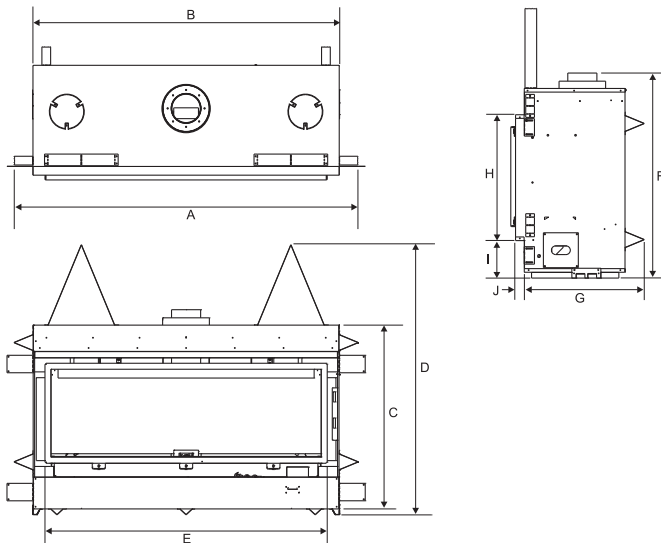


Model	HZ54-NG	HZ54-LP
Fuel Type	Natural Gas	Propane Gas
Minimum Supply Pressure	5" W.C. (1.25 kPa)	12" W.C. (2.98 kPa)
Manifold Pressure - High	3.5" W.C. (0.87 kPa)	10" W.C. (2.49 kPa)
Manifold Pressure - Low	1.6" W.C. (0.40 kPa)	6.4" W.C. (1.59 kPa)
Orifice Size	#30 DMS	#49 DMS
Minimum Input Altitude 0-4500 ft. (0-1372m)	29,000 BTU/h (8.50 kW)	30,000 BTU/h (8.79kW)
Maximum Input Altitude 0-4500 ft. (0-1372m)	41,500 BTU/h (12.16 kW)	37,000 BTU/h (10.84 kW)
Vent Sizing	5" Inner / 8" Outer	5" Inner / 8" Outer

Approved Venting Systems	
Flex Vent Systems:	FPI AstroCap™ Flex Vent
Rigid Pipe Vent Systems:	Simpson Direct Vent Pro® Selkirk Direct-Temp™ Metal-Fab® Sure Seal

## Unit Dimensions:

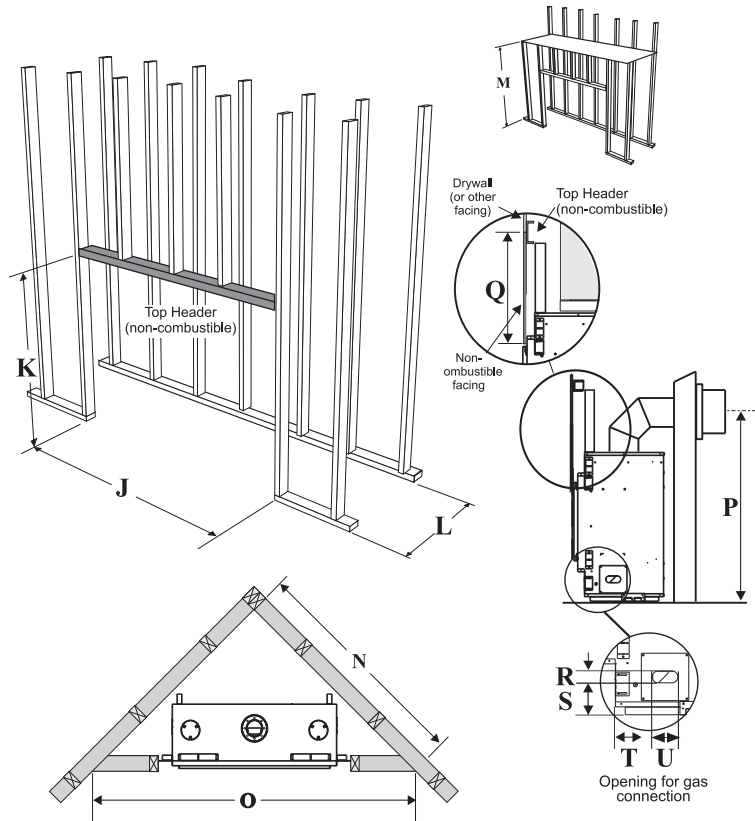
Unit Dimensions	Description	HZ54
A	Firebox Width (including standoffs)	59"
B	Firebox Width (excluding standoffs)	52-5/8"
C	Firebox Height (excluding standoffs)	31-5/8"
D	Firebox Height (including standoffs)	46-3/8"
E	Fireplace Opening Width	48-1/2"
F	Firebox Height to Top Vent Termination	35-1/4"
G	Firebox Depth (including standoffs)	20-1/2"
H	Fireplace Opening Height from Bottom Opening to Top Opening	21-5/8"
I	Fireplace Opening Height from Unit Base to Bottom Opening	6-1/2"
J	Depth from Opening to Side Front Edge	1-1/2"



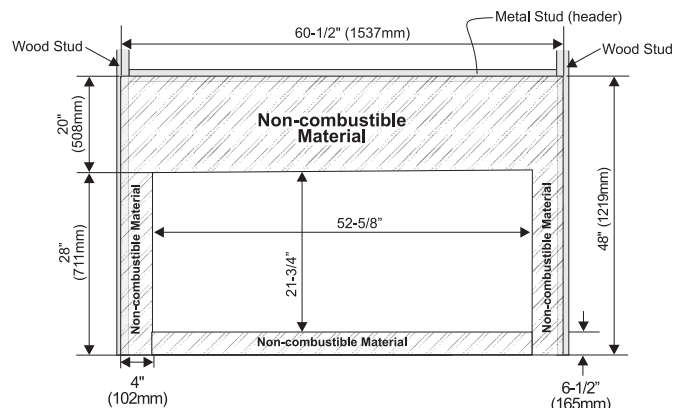
## Framing Dimensions:

Framing Dimensions	Description	HZ54
J	Framing Width	60"
K	Framing Height	46-5/8"
L	Framing Depth*	22"
M	Minimum Height to Combustibles	51"
N	Corner Wall Length	72"
O	Corner Facing Wall Width	101-7/8"
P	Vent Centerline Height	44"
Q	Non-combustible Facing Height	20"
R	Gas Connection Opening Height	1-1/2"
S	Gas Connection Height	4"
T	Gas Connection Inset	7-1/4"
U	Gas Connection Opening Width	3-1/4"

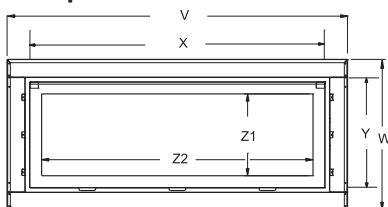
\* Framing depth measurement is noted with the side nailing strips set as far forward on firebox as possible. The side nailing strips can be adjusted back up to 1" to allow for varying thicknesses in non-combustible material & wall finishes.



## Non-Combustible Requirements:



## Faceplate & Door Frame Dimensions:

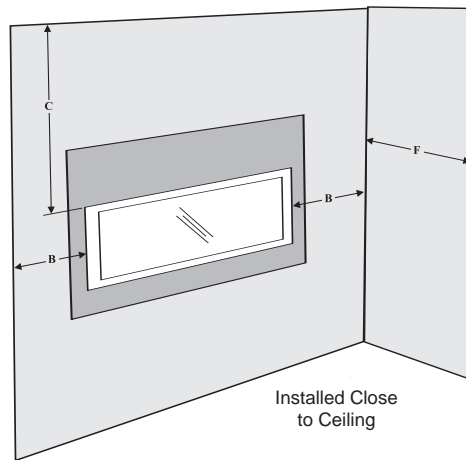
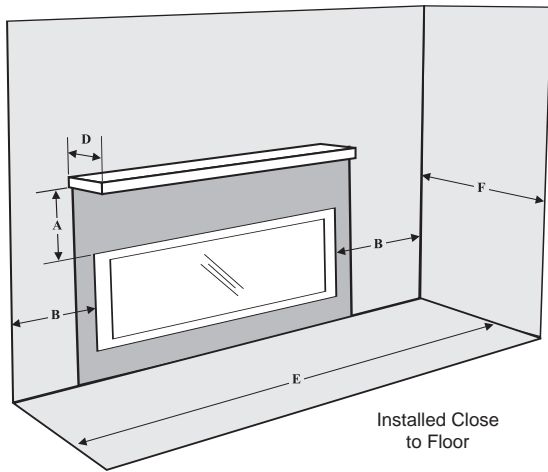


Dimensions	Description	HZ54
V	Faceplate Width	56-11/16"
W	Faceplate Height	25-1/8"
X	Door Frame Width	49-3/16"
Y	Door Frame Height	17-5/8"
Z1	Viewing Area Width	45-3/16"
Z2	Viewing Area Height	13-5/8"

This manual is intended to be a Sales Reference Guide only. Do NOT use for actual framing and installation of any unit. Some specifications may change without notice. You must use the actual manual for exact installation specifications.

HZ54 Gas Fireplace

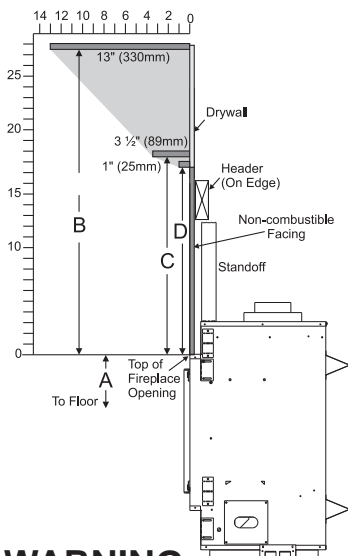
## Clearance Requirements:



Clearance:	Dimension	Measured From:
<b>A: Mantel Height</b>	20"	Top of Fireplace opening (1" deep)
<b>B: Sidewall</b>	4"	Side of fireplace opening
<b>C: Ceiling</b>	40-7/8"	Top of fireplace opening
<b>D: Mantel Depth</b>	13"	30" above fireplace opening
<b>E: Alcove Width</b>	83"	Sidewall to Sidewall (Minimum)
<b>F: Alcove Depth</b>	36"	Front to back wall (Maximum)

## Combustible Mantels

Because of the extreme heat this fireplace emits, the mantel clearances are critical. Combustible mantel clearances from top of the louvers are shown in the diagram below. Mantel may be installed anywhere in the shaded area or higher.

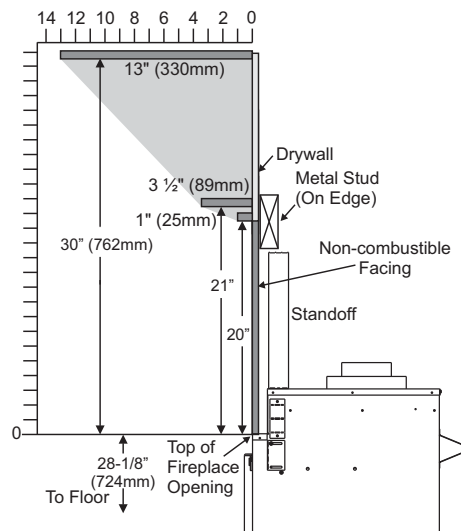


Mantel Clearances	From Top of Fireplace Opening
A	28-1/8"
B	30"
C	21"
D	20"

**Note:**

A non-combustible mantel may be installed at a lower height if the framing is made of metal studs covered with a non-combustible board.

Ensure the paint that is used on the mantel and the facing is "heat resistant" or the paint may discolour.



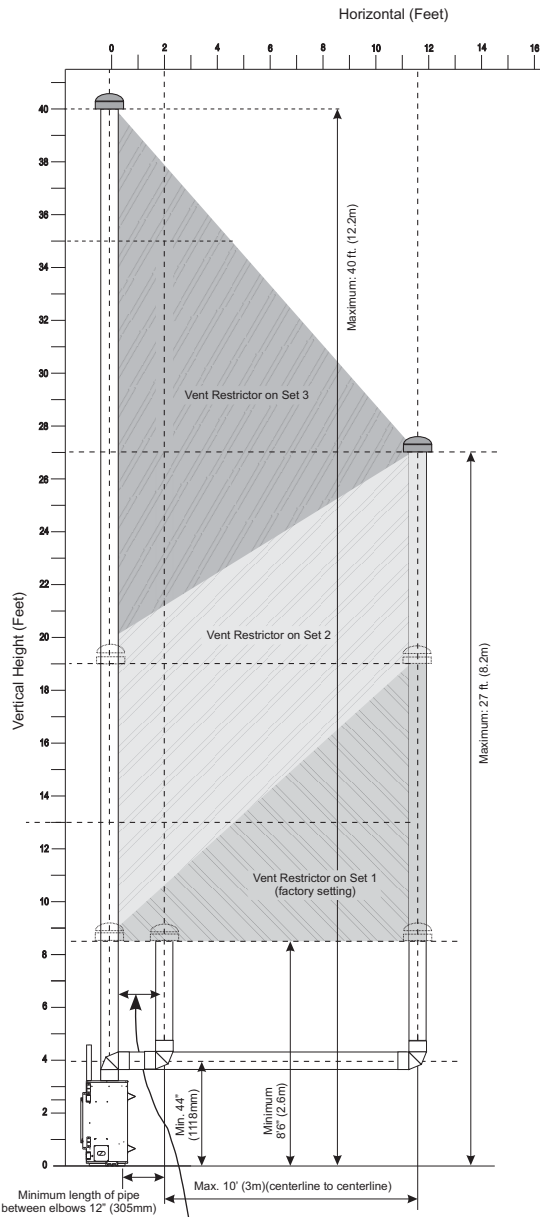
## WARNING

Failure to maintain required clearances is a major cause of chimney related fires. Installation of this fireplace must comply with these clearances  
 Please note: Due to ongoing product development, product appearance and specifications are subject to change without notice.

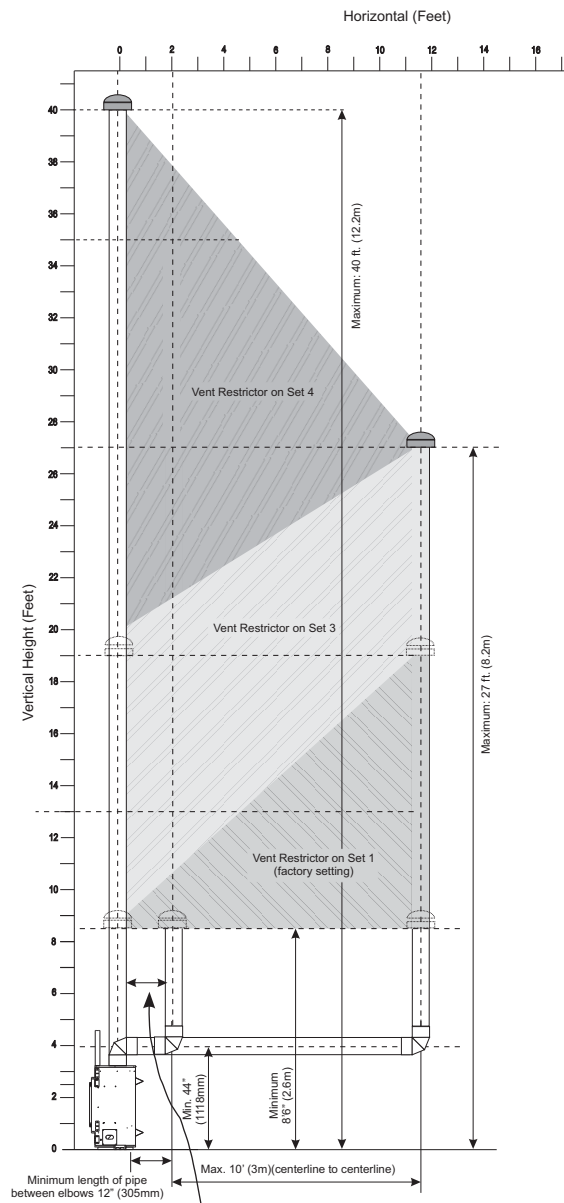
Sydney: 26 Roger Street, Brookvale, NSW 2100, Ph: 9939 9848  
 South Coast: 136 Industrial Road, Oak Flats, NSW 2529, Ph: 4256 5555  
[sales@thefireplace.com.au](mailto:sales@thefireplace.com.au)  
[www.thefireplace.com.au](http://www.thefireplace.com.au)

## Vertical & Horizontal Terminations: HZ54-NG

## Vertical & Horizontal Terminations: HZ54-LP



**Please note min. 1 foot between 90° elbows is required.**



**Please note min. 1 foot between 90° elbows is required.**

The shaded area in the diagram shows all allowable combinations of straight vertical and offset to vertical terminations, using two 90° elbows, with **Rigid Pipe Venting Systems** for Natural Gas. Two 45° elbows equal to one 90° elbow. Maximum of four 45° elbows allowed.