



## ProBuilder™ Series

### 36 Clean Face GSB

*With a ProBuilder™ 36CF fireplace you get MORE HEAT FOR LESS MONEY, making these fireplaces a beautiful and economical way to heat your home.*



The ProBuilder™ 36CF features clean lines and contemporary styling, this fireplace is understated elegance suitable in any home. The beautiful tall flames dance around the firebox on an elevated staged 'Dancing-Fyre™' burner.

We use the term “clean face” to describe a style of fireplace that features a simple trim rather than grills or decorative designer facing. This “clean face” look focuses all the attention on the tall, elegant profile and beautiful fire of the ProBuilder 36CF.

The ProBuilder 36CF is designed with an angled firebox to provide radiant heat through the huge fire viewing glass, plus natural convection from the five-sided convection chamber, delivering optimum warmth with or without the use of a fan.

## ProBuilder™ 36 Specifications



**Viewing Area:** 832mm x 717mm

**Heating Capacity:** Up to 100Sqm\*

**Mj Input:** 26Mj (high) / 15Mj (low NG) 14Mj (low LPG)

### Features

- Continuous Pilot or Basic GreenSmart® Ignition Modes
- ON/OFF Wall Switch (Optional Remote)
- Classic 8 Piece Log Set
- Easy Access Controls
- Variable Speed Blowers
- Discreet Safety Screen

## Optional Accessories

**Wall mounted GreenSmart® Basic Remote** (*upgrade from wall switch*)  
*Allows you to switch the fireplace on/off and set a thermostat*



\*Heating capacity varies according to the size of closed off area, ceiling height, floor plan, insulation and outside air temperature.

## Optional Fireback Liners



Classic Brick



Black Glass

## Mantels

Add a bold statement to your fireplace with one of our unique, hand crafted mantels that are designed and created by our in house artists. These non-combustible mantels come in both 5' (1524mm) and 6' (1829mm) lengths, and can be used as a hearth.



Polished Gray Concrete



Hand-Hewn Timber



Cedar

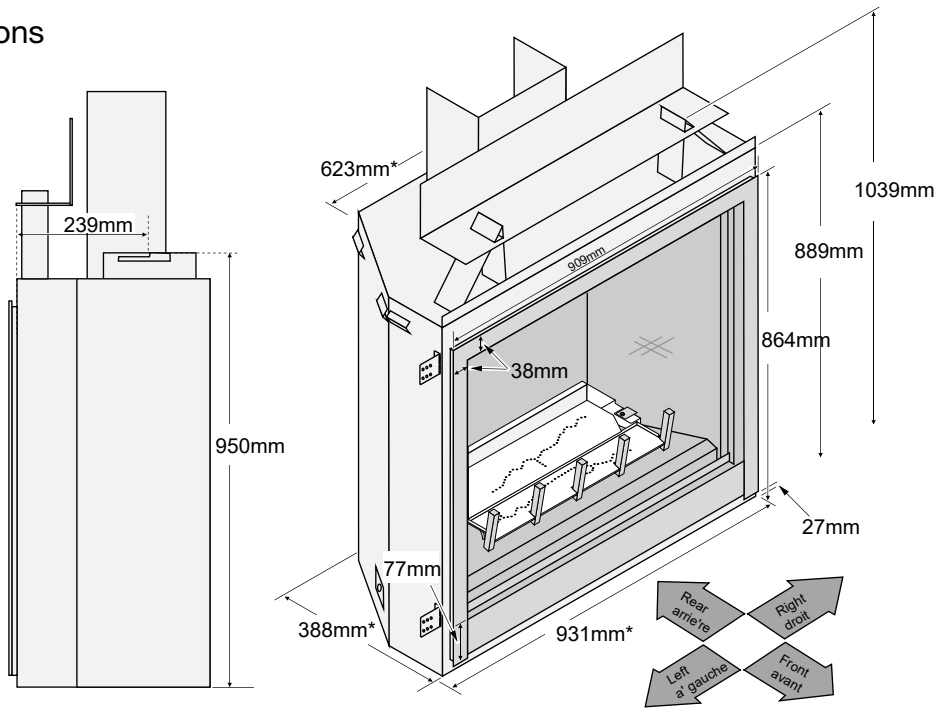
## Optional CoolSmart TV Wall™

The CoolSmart system is designed to redirect the convective heat of the fireplace from the front of the unit, just above the fire viewing glass, to a location higher on the wall (D). The use of this kit reduces temperature on the wall, which safely accommodates TV installations above the fireplace or in a recess (C).



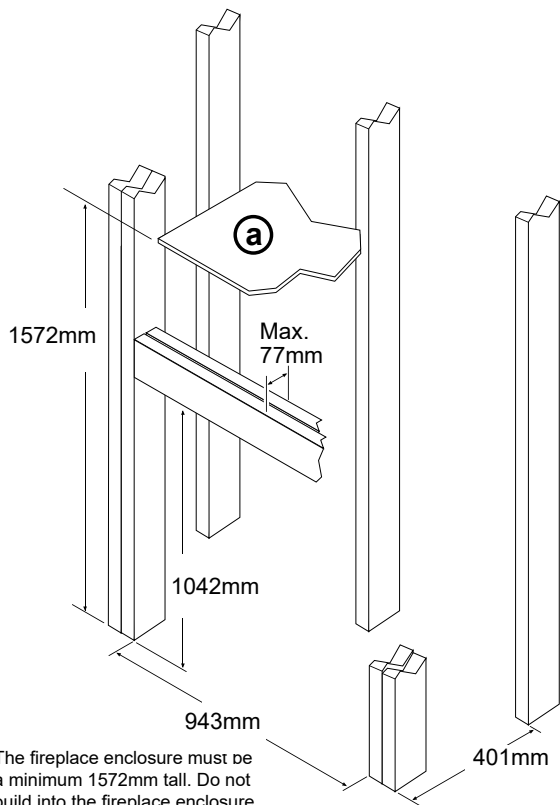
# ProBuilder™ 36CF GSB Dimensions & Framing

## Firebox Dimensions



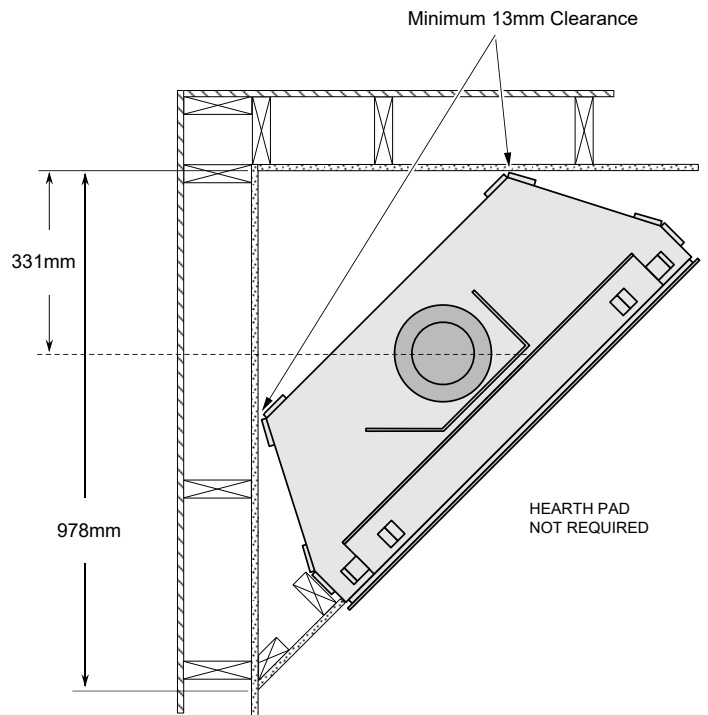
\* Includes the required 25mm clearance to each side and rear of the fireplace

## Minimum Framing Dimensions



**a** The fireplace enclosure must be a minimum 1572mm tall. Do not build into the fireplace enclosure.

## Corner Installation



## Authorised Lopi Dealer:



Proudly Supporting



STEVE WAUGH FOUNDATION  
www.stevewaughfoundation.com.au



Distributed in Australia  
by Dragon Wholesaling Pty Ltd  
Ph. 1800 064 234  
www.lopi.com.au

**Note:** Improper installation of your gas appliance or failure to operate it in accordance to the guidelines detailed in the installation manual may negate warranty and endanger your home and family. Installation information is available on our website at [www.lopi.com.au](http://www.lopi.com.au). We recommend all Lopi appliances be installed and maintained on an annual basis by your local authorised Lopi dealer.