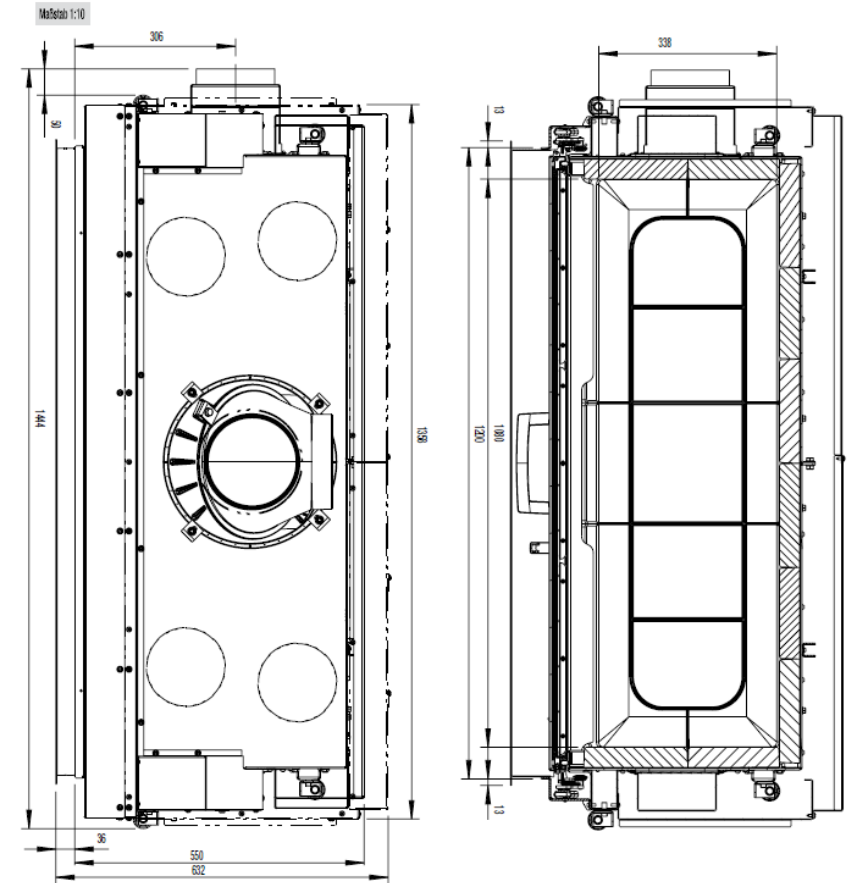
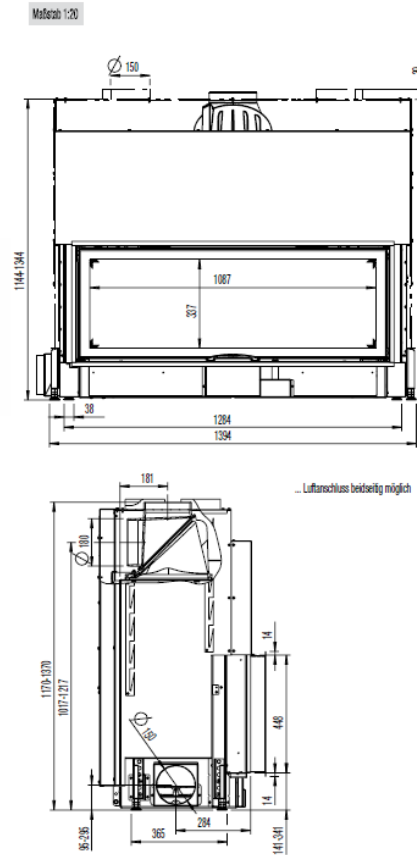


## • technical data

width (fitting measure body)	<b>1200mm</b>
height doorframe	<b>450mm</b>
door	<b>Guillotine (raises vertical)</b>
width	<b>1444mm</b>
depth	<b>550mm</b>
height	<b>1170-1370mm</b>
weight	<b>316kilos</b>
nominal heat output according to EN	<b>12kW</b>
flue pipe outlet	<b>Ø 170mm</b>
hinged door	✓
double glass	✓



• to be installed in accordance with AS2918 default clearances

• drawings including convection cladding and deco frame