



Electric Radiant Heater

Safety Instructions
and Operation Manual

**Model: 909006 (RIR2000),
909007 (RIR3000)**

Note: NEVER cover this product.

Thank you for purchasing our product. Please carefully read these instructions before using and use the appliance in accordance with these instructions. Be aware of the "**Important Safety Instructions**". *Please retain these instructions for future reference.*

Note:

The 3kW Model must be installed by a suitably qualified electrician due to the requirement of a 15 Amp power outlet and must comply with local regulations and building codes.

Important Safety Instructions

Read all instructions before using this heater.

When using electrical appliances, basic safety precautions should always be followed to reduce the risk of fire, electric shock, or injury to persons, including the following:

- This heater is hot when in use. To avoid burns, do not let bare skin touch hot surfaces. Keep combustible materials, such as furniture, pillows, bedding, papers, clothes, and curtains at least 0.9m from the front of the heater.
- Extreme caution is necessary when any heater is used by or near children and whenever the heater is left operating and unattended.
- Always unplug the heater when not in use.
- Do not operate any heater with a damaged cord or plug, or after the heater malfunctions, has been dropped, or damaged in any manner.
- This heater is not intended for use in bathrooms, laundry areas, or similar locations. Never locate heater where it may fall into a bathtub or other water.
- Do not run the cord under carpeting. Do not cover cord with throw rugs, runners, or similar coverings. Do not run the cord under furniture or appliances. Arrange cord away from traffic areas and where it will not be tripped over.
- Connect to properly grounded outlets only.
- To disconnect heater, turn controls off, then remove plug from outlet.
- Do not insert or allow foreign objects to enter any ventilation or exhaust opening as this may cause an electric shock, fire, or damage the heater.
- To prevent a possible fire, do not block air intakes or exhaust in any manner. Do not use on soft surfaces, like a bed, where openings may become blocked.
- Do not use it in areas where gasoline, paint, or flammable liquids are used or stored.
- Use this heater only as described in this manual. Any other use not recommended by the manufacturer may cause fire, electric shock, or injury.
- Always plug heaters directly into a wall outlet/receptacle. Never use with an extension cord or power strip.
- Use only the voltage specified on the rating plate of this heater.
- Ensure that the appliance is not located immediately below a wall outlet.
- To avoid burns when the heater is operating, do not touch the hot surfaces of the appliance. Switch off and let the heater cool before touching.
- There is a risk of electrical shock or fire hazard if the appliance is used improperly. Remove the mains plug or turn off the isolation switch immediately and discontinue use. Do not try to repair the appliance yourself. Please contact the distributor.
- Remove the plug from the power outlet and wait until the appliance has cooled off before cleaning.

- Keep out of reach of children. To keep children from the dangers of electrical appliances, never leave them unsupervised with the heater. When selecting the location for your heater, do so in such a way that children do not have access to the heater.
- The 3kW Model must be installed by a suitably qualified electrician due to the requirement of a 15 Amp power outlet and must comply with local regulations and building codes.







Specifications

Voltage (V)	220-240 ~
Power consumption (W)	2000W, 3000W
IP	IP65
Infrared receiving Angle	60°±5°

Reset the Appliance

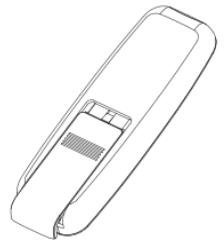
- Briefly press the Reset button to adjust the power (Low, Middle, High, or ON/OFF).
- Hold the Reset button for at least 4 seconds to restore the heater to factory settings.

Remote Control Instructions

	Up		Up one heating level
	Max		The heater goes directly to the highest heating level
	Down		Down one heating level
	On		To switch the heater on: Press ON. The heater will start at a reduced power setting. After 4 seconds, the heater will automatically switch to the last heating level used. The first time the remote is used, the heater will automatically switch to 100% power after 4 seconds.
	Off		To switch the heater off: Press OFF. The heater will switch to standby mode (the receiver indicator will light up).

Notice:

- Use 2 AAA size 1.5V batteries in the remote control. Remove the batteries when the remote will not be used for an extended period.
- Do not mix old and new batteries in the remote control.
- If the remote control is lost. Please contact the distributor for further help if required.
- The remote control may not work if there is a barrier between the remote control and heater.
- Replace the batteries regularly to maintain normal function of the heater and remote control.



Operation Instructions

- Remove all packaging material and check the appliance, supply cord, and plug for signs of damage before use.
- Check the mounting location and all mounting material (dowels, screws) to ensure they are suitable for the weight of the appliance.
- Ensure that the minimum safe mounting distances and tilt angles shown in the figures below are followed.
 - There must be at least 1.8m clearance between the bottom edge of the appliance and the floor, shown in figure 2.
 - There must be at least 0.25m clearance between the appliance and the ceiling, roof, or other covers, shown in figure 2.
 - There must be at least 0.5m clearance to each side of the appliance, shown in figure 2.
 - Recommended degree to mounting surface is 45°. See figure 3.
- Fix the mounting bracket to the ceiling before attaching the appliance. The appliance can also be attached to the moveable stand.
- Adjust the desired angle of the heater and attach all screws. Regularly check and tighten screws as required; vibration or oscillation due to wind or rain could lead to the screws loosening.
- Plug in the power source and operate the remote control (the RIR3000 model must be installed by a suitably qualified electrician due to the requirement of a 15 Amp power outlet and must comply with local regulations and building codes). Observe that the heater functions normally during the first 10-15 minutes. Unplug and call the distributor if required.

Figure 1: Mounting bracket and anchor dowels provided. Connection from the wall to the infrared heater.

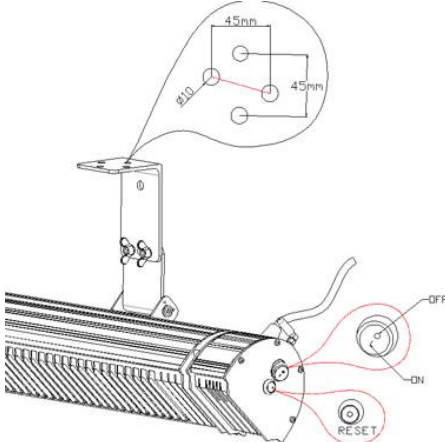


Figure 2: Minimum distance to floor, ceiling, and wall.

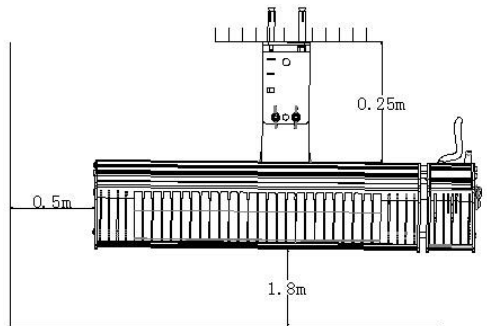


Figure 3: Tilt angle.

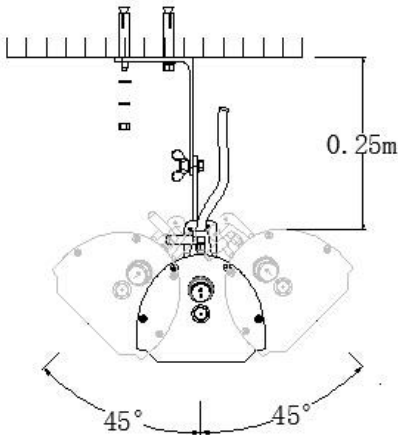
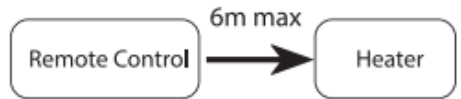


Figure 4: Maximum remote distance.



Cleaning and Maintenance

- This appliance consists of a robust and maintenance-free aluminium casing with a protective cover. No user serviceable parts are inside.
- Before cleaning, remove the plug from the power outlet and wait until the appliance is cool.
- Wipe only the outside of the appliance with a clean lint-free cloth or a soft brush. Alcohol can be used if required.
- Never use abrasive cleaners, scrubbing brushes, or chemical cleaners.
- To protect against electrical shock, do not immerse the cord, plug, or any part of the appliance in water or other liquid.
- To replace the heating element, please contact the distributor.
- To perform any other service on the appliance, please contact the distributor.

Storage

Do not coil the cord when storing the heater or when the heater is not in use.

Customer Service

- For safety, repairs must be carried out by authorized specialists. For all repairs, please contact the distributor.
- Improper repairs could lead to danger to the user.
- This warranty does not cover damage or failure which results from alteration, accident, misuse, abuse, neglect, commercial use, or improper maintenance.
- In line with our policy of continuous product development we reserve the right to change the product and documentation specifications without notice.

Warranty Statement

Subject to meeting the requirements and following all instructions and warnings in the attached Ambe Radiant Heater manual, Ambe will provide a 2-year distributor warranty from date of purchase. For further information, please see our warranty conditions found in the website below.

Distributor Contact Details:

Region	Ambe Distributor
Australia	Escea Australia Pty Ltd P.O. Box 176 Pennant Hills Sydney NSW 1715 Australia Ph. 1800 460832 www.ambehome.com
New Zealand	Escea Ltd 17 Carnforth Street Dunedin 9018 New Zealand Ph. 0800 173 000 www.ambehome.com