

Castleton

(Model 8030 AU)

Heat Output	▪	8.9kW ave Peak
Efficiency	▪	66% peak [60% ave]
Coverage	▪	up to 200m ²
Emissions	▪	1.4 grams/kg

Live in the Comfort Zone

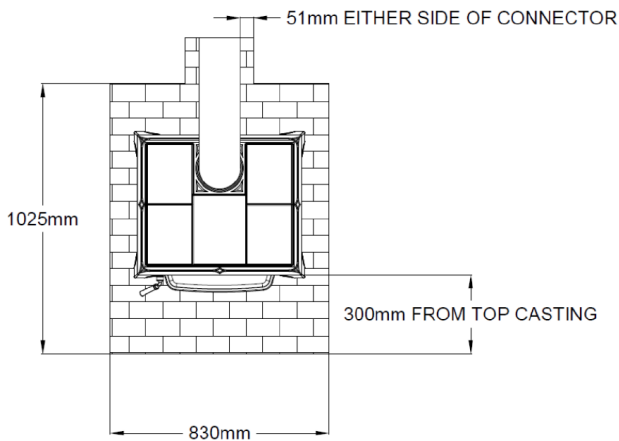
There is nothing quite like sitting by a wood fire.

Every HearthStone wood burning product is a beautiful piece of furniture that will compliment the charm of your home and provide a cozy, comfortable place to relax with family and friends.

Our stoves are built using soapstone. Soapstone is a natural material which absorbs the sharp heat of a fire, stores the energy, then radiates a gentle heat back into the living space. This means your home stays at a comfortable temperature longer and you stay in the Comfort Zone.



Clearances



Flue Shield Configuration	Rear	Side	Front	Corner
No shielding	-	-	-	-
Flue Shield or Decro Mesh	225	600	300	275
Flue Shield and Skamol	100	250	300	100

CLEARANCES BASED ON INSTALLATION 6" TRIPLE SKIN FLUE KIT AND REAR FLUE SHIELD OR DECRO MESH

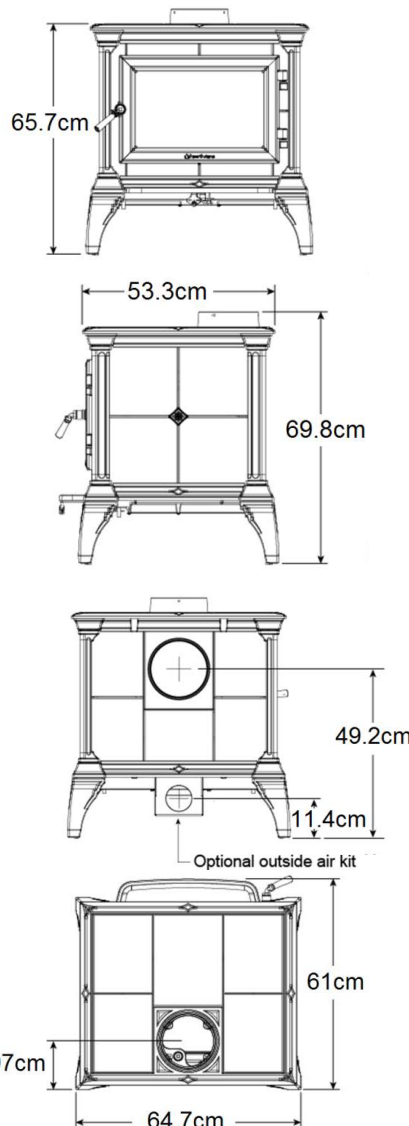
REAR FLUE SHIELD
900mm length 180° stainless steel rear flue shield

DECRO MESH
8" decro mesh extending from the top of the heater to drop box

SKAMOL
1720mm [w] x 1200 [d] wall of 25mm Skamol Enclosure Board: to be attached directly to the wall

All measurements are in millimetres unless otherwise stated.

Dimensions



Features

STANDARD FEATURES

- Advanced double combustion, thanks to the back air collector and a series of stainless steel tubes located on the ceiling of the firebox which inject air. This air supply ignites remaining dust particles before they leave the chamber
- Complement of cast-iron and soapstone, with a large stone top, side and front panels
- Airtight combustion chamber, avoiding unwanted air supply and achieving a controlled, precise burn regulation
- Ceramic baffle with extra heat resistance.
- Clean burn with extremely low particle emissions.
- Cast-iron impact plates that protect the soapstone when loading the fire
- Vertical smoke exit through the top with the option to switch to a Horizontal smoke exit through the Rear
- Weight : 210kilos
- Maximum log width : 450mm
- Flue Spigot Size : 152mm [6"]
- Internal Firebox : 477[w] x 391[d] x 260[h]
- Viewing Area : 368[w] x 220[h]
- Burn Time : Up to 8+ hours [burn time can vary depending on type of wood, moisture content, packing density and other factors.
- Warranty : Limited 10 years manufactures

OPTIONAL ACCESSORIES

- Fan Heritage Blower Kit [90-57210]
 - Heat Shield Kit [90-68300]
- Information supplied is to assist you in your choice of a suitable fire. It is not intended to be all the information required to install the fire and does not replace the installation manual which provided more detailed information. In the interest of product development Hearthstone reserves the right to change specifications without prior notice.