

1440

(Lucifer Model 1440 AU)

Heat Output	▪	6.8kW ave Peak
Efficiency	▪	73% peak [65% ave]
Coverage	▪	up to 90m ²
Emissions	▪	1.4 grams/kg

Morsø has worked hard to combine their long stove tradition with modern innovation and the 1440 series is a convincing example of this. The innovation for the 1440 comes from their 167 years of experience constructing cast iron products to combine both the latest technology with a quality and user-friendly design.

Handcrafted in Denmark this fire can be recognised by its cast iron side panels. These panels act as heat exchangers drawing cool air from the floor. The air is heated and flows naturally into the room. A top air control lets you adjust for secondary burning as well as using the bottom control to the combustion rate.

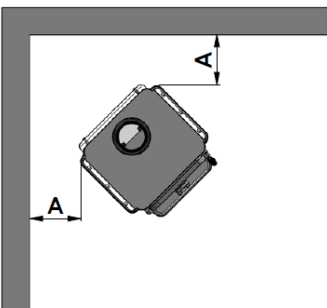
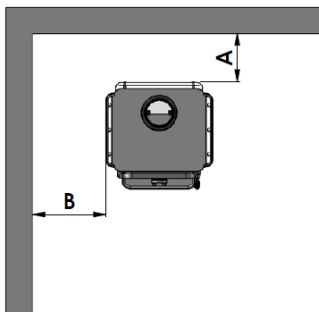
Internally the 1440 has an air wash system that circulates air around the fire and flushes it over the glass to keep the viewing window clear. It is also equipped with a riddling grate and ash pan which allows for a clean and convenient disposal off ashes.

Danish design has been delighting the world for many years. The architects and designers at Morso have made Danish design a real talking point. In 1915 Morso received the honour of being appointed to the Royal Danish Court. This prestigious appointment means that the products produced are held to the highest standards of quality



Clearances

	Width	Depth	Thickness
Hearth depth inc 300 in front. Thickness: Equal to 3.5mm cement sheet	665	818	3.5



Flue Shield Configuration	Rear	Side	Front	Corner
No shielding	-	-	-	-
Flue Shield or Decro Mesh	150	230	300	150

CLEARANCES BASED ON INSTALLATION STANDARD 6" FLUE KIT WITH 900MM STAINLESS STEEL FLUE SHIELD OR DECRO MESH

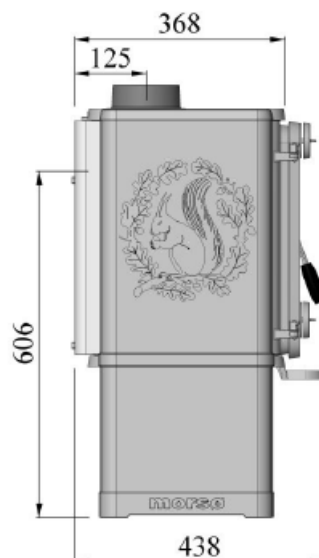
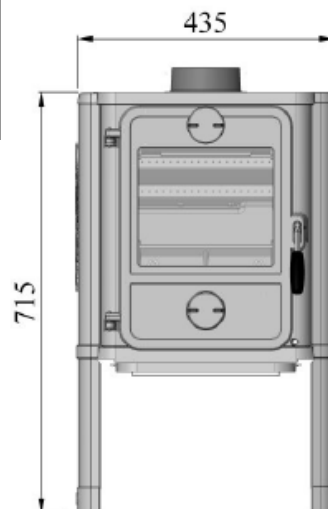
REAR FLUE SHIELD

900mm length, stainless steel rear flue shield

DECRO MESH

900mm length Decorative Mesh, extending from the top of the heater to the drop box

Dimensions



Features

STANDARD FEATURES

- Convection panels for an even distribution of heat
- Gasketed cast iron stove plates provide tight seals that require less maintenance through years of operation
- Non catalytic clean burn technology for more complete combustion and high heat output
- Superior air wash system keeps the glass clean for unparalleled fire viewing
- Rugged ash pan made of heavy gauge steel
- Cast-iron baffle
- Vertical smoke exit through the top with the option to switch to a Horizontal smoke exit through the Rear
- Weight : 85kilos
- Maximum log width : 250mm
- Flue Spigot Size : 152mm [6"]
- Internal Firebox : 310[w] x 280[d] x 240[h]
- Viewing Area : 212[w] x 240[h]
- Burn Time : Up to 3+ hours [burn time can vary depending on type of wood, moisture content, packing density and other factors]
- Warranty : Limited 10 years manufactures

OPTIONAL ACCESSORIES

- Morsø Classic Fire Tools [62900221]
- Morsø Classic Cast Iron Trivet with NAC motif [61753201]

Information supplied is to assist you in your choice of a suitable fire. It is not intended to be all the information required to install the fire and does not replace the installation manual which provided more detailed information. In the interest of product development Morsø reserves the right to change specifications without prior notice.

All measurements are in millimetres unless otherwise stated.