

6148

Heat Output	▪	8.0kW ave Peak
Efficiency	▪	69% peak [65% ave]
Coverage	▪	up to 100m ²
Emissions	▪	1.5 grams/kg



Morsø has worked hard to combine their long stove tradition with modern innovation and the 6148 design is a convincing example of this.

Complete in every sense, its form, construction, and cast iron components blend naturally together, with the rich dark grey on the structure being a dramatic contrast to the flame.

Employing a refined and timeless design idiom, this perfect design with a large glass door, concealed hinges and simple and contemporary pedestal makes the Morsø 6148 a compliment to any room.

Internally the stoves unique combustion system helps ensure a higher temperature in the combustion chamber, allowing it to burn off the flue gases, and providing you with a cleaner, environmentally friendly combustion along with a higher level of efficiency; ensuring superior fuel economy.

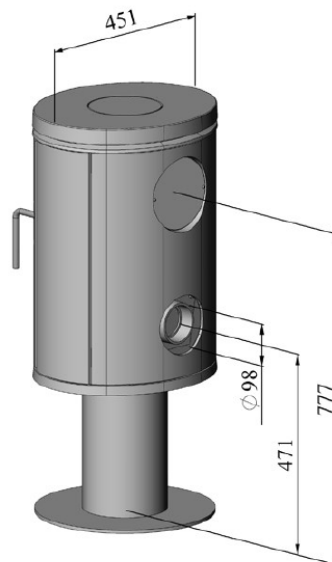
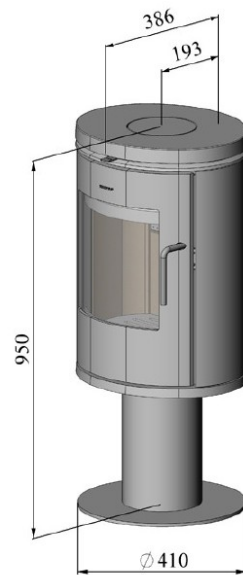
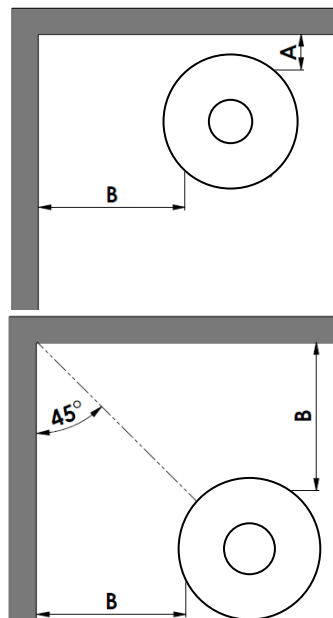
Danish design has been delighting the world for many years. The architects and designers at Morsø have made Danish design a real talking point. In 1915 Morsø received the honour of being appointed to the Royal Danish Court. This prestigious appointment means that the products produced are held to the highest standards of quality.

Clearances

Dimensions

Features

	Width	Depth	Thickness
Hearth depth inc 300 in front. Thickness: Equal to 6mm cement sheet	712	836	6



STANDARD FEATURES

- Tertiary air system that draws air up the back of the fire and then injects it to the upper chamber to burn off excess gases
- Cast-iron casting
- Chromium treated internal castings
- Convection system that ensures a steady and even flow of hot air throughout the room
- Superior air wash system keeps the glass clean for unparalleled fire viewing
- Contrasting stainless steel handle that remains cool to the touch when re-fuelling
- Rugged ash pan made of heavy gauge steel
- Vertical smoke exit through the top with the option to switch to a Horizontal smoke exit through the Rear
- Weight : 125kilos
- Maximum log width : 300mm
- Flue Spigot Size : 152mm [6"]
- Internal Firebox : 315[w] x 205[d] x 240-300[h]
- Viewing Area : 274[w] x 301[h]
- Burn Time : Up to 3+ hours [burn time can vary depending on type of wood, moisture content, packing density and other factors]
- Warranty : Limited 10 years manufactures

OPTIONAL ACCESSORIES

- Base Connection Outside Air Kit Adapter
- Morsø Ash & Storage Bucket [62905700]
- Morsø Ellipse Firetool Set [62917421]

Information supplied is to assist you in your choice of a suitable fire. It is not intended to be all the information required to install the fire and does not replace the installation manual which provided more detailed information. In the interest of product development Morsø reserves the right to change specifications without prior notice.

All measurements are in millimetres unless otherwise stated.

Flue Shield Configuration	Rear [A]	Side [B]	Front	Corner
No shielding	-	-	-	-
Flue Shield or Decro Mesh	150	425	300	210

CLEARANCES BASED ON INSTALLATION STANDARD 6" FLUE KIT WITH 900MM STAINLESS STEEL FLUE SHIELD OR DECRO MESH

REAR FLUE SHIELD

130° 900mm length, stainless steel rear flue shield

DECRO MESH

900mm length Decorative Mesh, extending from the top of the heater to the drop box