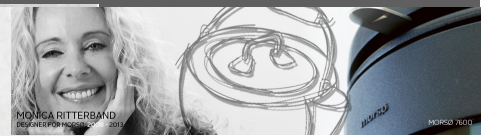


7948

| | | |
|-------------|---|-------------------------|
| Heat Output | ▪ | 12.5kW ave Peak |
| Efficiency | ▪ | 80% peak [73% ave] |
| Coverage | ▪ | up to 150m ² |
| Emissions | ▪ | 1.3 grams/kg |



Morsø has teamed up with talented Danish designer Monica Ritterband to create a cast iron wood burning stove that is beautiful, innovative and practical. The cylindrical wood burner is a real focal point with a large curved front window and double-glazed glass to the sides.

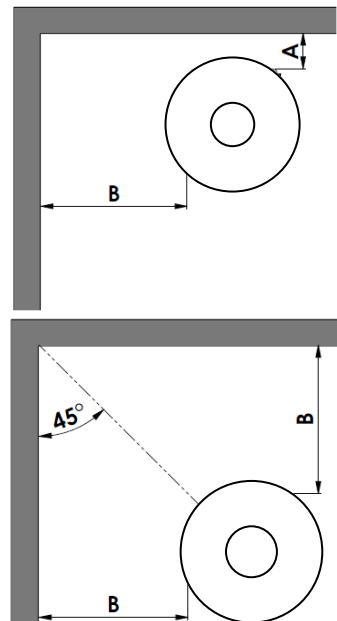
The smallest details are designed to delight - like the polished stainless steel handle, which is a dramatic contrast to the rich dark grey of the cast iron. Or the self-closing door, which slides into place with a soft click.

Internally a superior air wash system blows hot air across the inside of the glass to keep the viewing area clean, and combustion technology uses pre-heated air to ensure a higher temperature in the firebox, so that almost all the flue gases are burnt, which results in both more environmentally friendly combustion and better fuel economy.

A optional Heat Storage system perfectly integrates on top of the wood burning fireplace, blending seamlessly into the design. The system enables you to store heat and emits its slowly for a longer period of time, providing an eco-friendly option.

Clearances

| | Width | Depth | Thickness |
|---|-------|-------|-----------|
| Hearth depth inc 350 in front. Thickness: Equal to 6mm cement sheet | 900 | 920 | 6 |



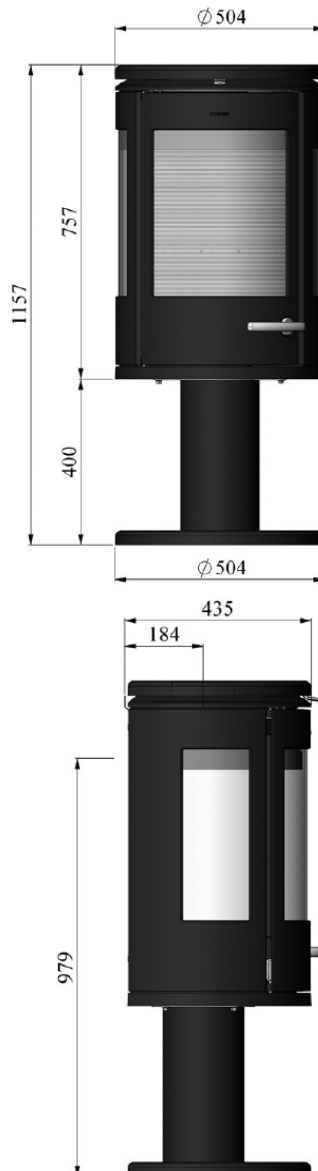
| Flue Shield Configuration | Rear [A] | Side [B] | Front | Corner |
|---------------------------|----------|----------|-------|--------|
| No shielding | - | - | - | - |
| Decro Mesh | 135 | 625 | 350 | 400 |

CLEARANCES BASED ON INSTALLATION STANDARD 6" FLUE KIT WITH DECRO MESH

DECRO MESH
900mm length Decorative Mesh, extending from the top of the heater to the drop box

All measurements are in millimetres unless otherwise stated.

Dimensions



Features

STANDARD FEATURES

- Tertiary air system that draws air up the back of the fire and then injects it to the upper chamber to burn off excess gases
- Cast-iron casting
- Chromium treated internal castings
- Gasketed cast iron stove plate
- Superior air wash system keeps the glass clean for unparalleled fire viewing
- Self-closing door
- Double glazed windows
- Convection system that ensures a steady and even flow of hot air throughout the room
- Rugged ash pan made of heavy gauge steel
- Vertical smoke exit through the top with the option to switch to a Horizontal smoke exit through the Rear
- Weight : 156kilos
- Maximum log width : 300mm
- Flue Spigot Size : 152mm [6"]
- Internal Firebox : 240-390[w] x 295[d] x 440[h]
- Viewing Area : 316.1[w] x 400[h]
- Burn Time : Up to 3+ hours [burn time can vary depending on type of wood, moisture content, packing density and other factors]
- Warranty : Limited 10 years manufactures

OPTIONAL ACCESSORIES

- Low / High Top modules for additional Heat Storage Modules and Bricks
- Morsø Complete Firetool Set [62917121]
- Morsø Wood Carrier [62912200]

Information supplied is to assist you in your choice of a suitable fire. It is not intended to be all the information required to install the fire and does not replace the installation manual which provided more detailed information. In the interest of product development Morsø reserves the right to change specifications without prior notice.