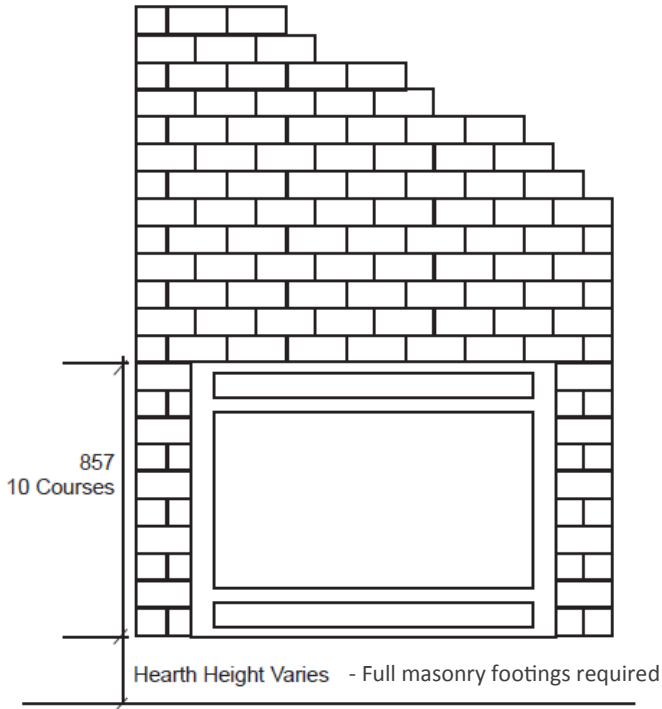
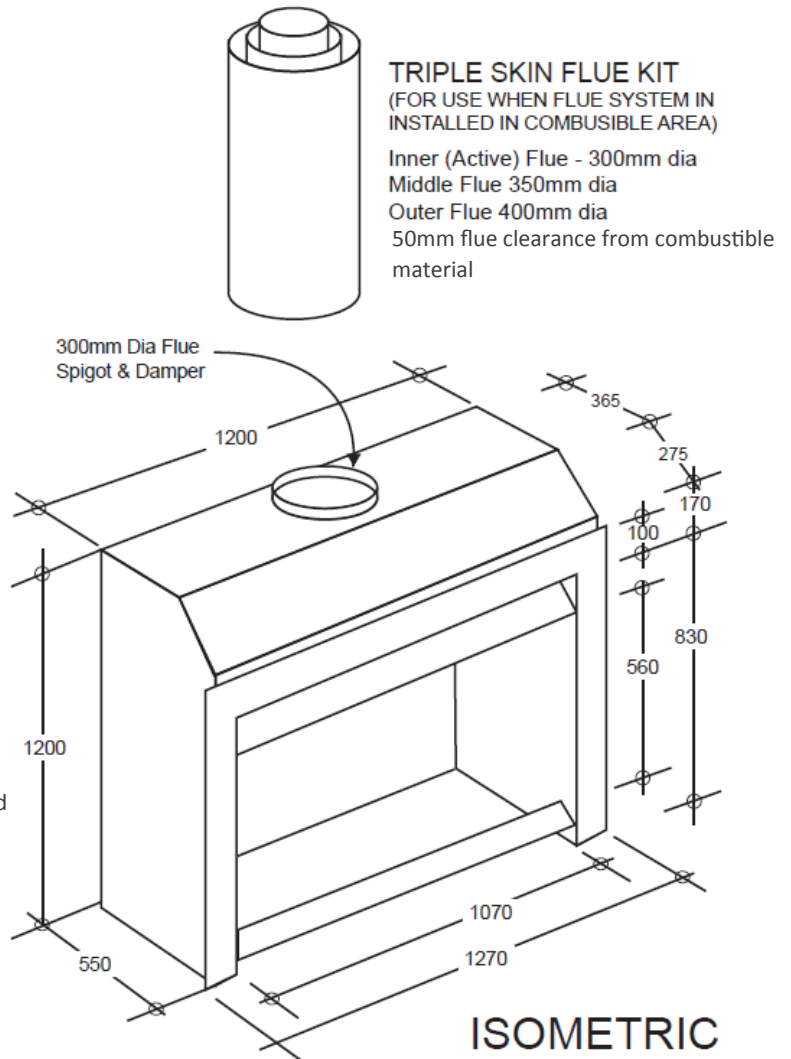


HEATMASTER Z1200

Brick set-up and Dimensions



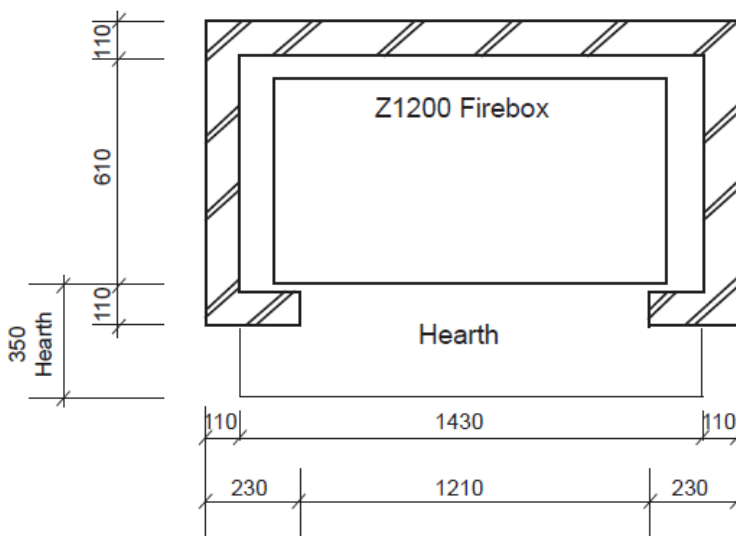
ELEVATION



TRIPLE SKIN FLUE KIT
(FOR USE WHEN FLUE SYSTEM IN
INSTALLED IN COMBUSTIBLE AREA)

Inner (Active) Flue - 300mm dia
Middle Flue 350mm dia
Outer Flue 400mm dia
50mm flue clearance from combustible
material

PLAN



ISOMETRIC



Measurements shown above to be used for reference only, some variations may apply and are subject to change at any time.

Installation to be in accordance with Australian Standards AS/NZ 2918:2001

Heatmaster Pty Ltd

Email: sales@heatmaster.com.au

Website: www.heatmaster.com.au

ACN 006 442 717 ABN 64 641 709 587