

Greenfire® GF900C Gas Fireplace

Owners & Installation Manual



MODELS: GF900C-NG2
GF900C-LP2
GF900C-ULPG2



GF900C Video

LISTINGS AND CODE APPROVALS

These gas appliances have been tested in accordance with AS/NZS 5263.0, AS/NZS 5263.1.3 and have been certified by the Australian Gas Association for installation and operation as described in these Installation and Operating Instructions.

Must be installed as per AS/NZS5601

Your unit should be serviced annually by an authorised service person.

www.regency-fire.com.au

WARNING:

If the information in these instructions are not followed exactly, a fire or explosion may result causing property damage, personal injury or loss of life.

FOR YOUR SAFETY

Do not store or use gasoline or other flammable vapors and liquids in the vicinity of this or any other appliance.

Installation and service must be performed by a qualified installer, service agency or the gas supplier.

FOR YOUR SAFETY

What to do if you smell gas:

- Do not try to light any appliance
- Do not touch any electrical switch: do not use any phone in your building.
- Immediately call your gas supplier from a neighbour's phone. Follow the gas supplier's instructions.
- If you cannot reach your gas supplier, call the fire department.

Installer: Please complete the details on the back cover and leave this manual with the homeowner.

Homeowner: Please keep these instructions for future reference.

To the New Owner:

Congratulations!

You are the owner of a state-of-the-art Gas Fireplace by REGENCY®. The GF900C has been designed to provide you with all the warmth and charm of a wood fireplace at the flick of a switch. The model GF900C has been approved by AGA for both safety and efficiency. As it also bears our own mark, it promises to provide you with economy, comfort and security for many trouble free years to follow. Please take a moment now to acquaint yourself with these instructions and the many features of your Regency® Fireplace.

PAIRING YOUR REMOTE CONTROL

The control box will only learn the remote ID codes during the first 30 seconds after power is applied and will ignore this special command from the remote afterward.

To match the control box to the remote, follow the steps below:

1. Remove a battery from the remote handset.
2. Remove main power to the control box by turning off the isolation switch or switch on the GPO to the heater.
3. Wait 30 seconds (approx.)
4. Reconnect main power to the control box.
5. Immediately put the battery back in the remote & point the remote in the direction of the heater.
6. Press and hold the PROG and FAN buttons simultaneously. The letters "LC" will appear on the display indicating ID code transmission.
7. Release both buttons.
8. The display will revert to the normal off mode display. The heater should light - spark, burner, etc. - even though the remote screen says the heater is off.
9. Press the OFF button on the remote. The heater should turn off.
10. Wait approx. 30 seconds to turn the heater on again & check that all functions work - fan speed and flame height can be adjusted, etc.

Note: To view a step-by-step pairing video please visit regency-fire.com.au/Customer-Care/Fireplace-Care-Videos

Note: The remote control handset has a set of unique ID codes that is pre-programmed into its memory. This set of ID codes helps to differentiate one remote control handset from another; only the control box with a matching ID code will respond to a handset.

Note: The fan cannot be turned off during operation of this appliance.



WARNING

DO NOT turn your fireplace on via any means or allow to be turned on unless you have conducted a thorough inspection of the area surrounding the fireplace immediately prior to its use, and you have satisfied yourself that there are no materials or other items in proximity to the fireplace which could present a fire risk.

DO NOT turn your fireplace on via any means or allow to be turned on if there are any unsupervised children, infirm or pets in the area surrounding the fireplace.

DO NOT use this fireplace, unless you have read this Manual, and strictly adhere to the user requirements and warnings set out in this Manual.

RELEASE

Without limiting any other acknowledgement, release or indemnity given by you, or limitation of liability, in favour of Fireplace Products Pty Ltd ("Company"), you irrevocably and unconditionally acknowledge and agree that failure to comply with, or strictly adhere to, the requirements and warnings set out in this Manual ("User Requirements") may result in:

1. damage to the fireplace;
2. damage to property;
3. a house fire;
4. severe burns or other personal injury; and/or
5. death.

Subject to any remedy, guarantee, term, condition, warranty, undertaking, inducement or representation, implied or imposed by any legislation which cannot lawfully be excluded or limited, and to the maximum extent permitted by law:

1. the Company will not be liable for any damage, personal injury or death arising out of or in connection with your failure to comply with any User Requirement; and
2. you release the Company from all claims, actions, proceedings, liabilities, losses and damages in relation to death, any personal injury or property damage arising out of or in connection with your failure to comply with any User Requirement.

table of contents

Pairing the Remote Handset and Control Box ID Code	2	Unit Installation with Vertical Termination	34
Copy of data badge	5	System Data	35
Unit Dimensions	6	High Elevation	35
Verona Surround Faceplate Dimensions	6	Gas Line Installation	35
Important Message	7	Pilot Adjustment	35
General Safety Information	7	Gas Pipe Pressure Testing	35
Installation Checklist	8	845 S.I.T. Valve Description	35
Locating Your Gas Fireplace	8	Aeration Adjustment	35
Clearances	9	Wiring Diagram	36
Framing Dimensions	10	Conversion from NG to Propane/ULPG	37
Combustible Finishing	11	Optional Fan Ducting Kit Installation	39
Unit Assembly Prior To Installation	11	Optional Fan Kit Installation	40
Nailing Strips - Combustible Finishing	11	Fan Duct Extension kit Installation	41
Installation Access Panel	11	Glass Crystals and Volcanic Stones Installation On Burner and Firebox Floor	42
Framing & Finishing (Combustible)	12	Inner Panel Removal / Installation	43
Combustible Requirements	12	Optional Finishing Trim Installation	43
Clearances for Combustible Finishing with Mantel	13	Faceplate and Deflector Installation	44
Combustible Mantel Leg Clearances	13	Screen & Inner Door Frame Installation	45
Non Combustible Flushed Finishing	14	Operating Instructions	46
Remove Top Nailing Strips & Standoffs	14	Lighting Instructions	46
Installation Access Panel	14	Shutdown Instructions	46
Clearances for Non-Combustible Flushed Finishing with Mantel	15	First Fire	46
Non Combustible Mantel Leg Clearances	15	Remote Control	46
Flushed Finishing & Framing with Non-Combustible Material	16	Summary Of Controls	46
Non-Combustible Requirements	16	Fan Operation	46
Installing a TV / Artwork Flush with the Unit	17	Copy of Lighting Plate Instructions	47
Installing a TV / Artwork Enclosed Above the Unit	18	Normal Operating Sounds Of Gas Appliances	47
Optional Framing Kit	19	Resetting the Unit	47
Non-Combustible Facing Installation	20	Fan Service	48
Framing & Finishing (Clean Finish Installations only)	21	Maintenance Instructions	49
Exterior Flue Termination Locations	22	General Flue Maintenance	49
Clearances	23	Glass Gasket	49
Flue Restrictor Position	24	Glass Door	49
Flueing Introduction	25	Glass Replacement	49
Flueing Arrangement for Horizontal Terminations	25	Troubleshooting Guide	50
Flueing Arrangements	26	Gas Appliance Maintenance	52
Horizontal Termination (Flex)	26	Glass Door Installation	53
Rigid Pipe 4" x 6-5/8" (102mm x 175mm)	27	Valve Tray Replacement	54
Vertical Terminations - Rigid Pipe	29	Electronic Components Parts List	55
Flueing Arrangement for Vertical Terminations	30	Main Assembly	56
Direct Flue Zero Clearance Top Exit Vertical Flue Kit Installation Instructions GF900	31	Accessories	58
Unit Installation with Horizontal Termination	32	Warranty	60

This is a copy of the data badge that accompanies each GF900 Direct Flue Gas Fireplace. We have printed a copy of the contents here for your review.

NOTE: Regency® units are constantly being improved. Check the badge on the unit and if there is a difference, the badge on the unit is the correct one.

COPY OF DATA BADGE

<h1>Regency Gas Fireplace</h1>			
Model	○	○	○
Gas Type	NG	Propane	ULPG
Model	GF900C-NG2	GF900C-LP2	GF900C-ULPG2
Gas Consumption High	32 MJ/h	28 MJ/h	28 MJ/h
Gas Consumption Low	22.7 MJ/h	22.1 MJ/h	22.1 MJ/h
Manifold Pressure High	0.87 kPa	2.49 kPa	2.49 kPa
Manifold Pressure Low	0.40 kPa	1.60 kPa	1.60 kPa
Injector Size	1 x #37 2.65mm	1 x #53 1.50mm	1 x #53 1.50mm
Approval No. AGA 7946 G AS/NZS 5263.0 & AS/NZS 5263.1.3			
Electrical: 240V 50 Hz 0.8A			

Distributed by:
Western Australia:
Air Group Australia
28 Division St
Welshpool, WA 6106

Eastern Australia
Fireplace Products
Australia Pty. Ltd.
1 Conquest Way
Hallam, VIC 3803

New Zealand
Aber Holdings
17 Main Street Place
Te Rapa, HA 3200

To be installed by an authorised person in accordance with installation instructions provided with the appliance.

Serial Number **510**

920-022



DO NOT OPERATE THIS APPLIANCE BEFORE READING THE INSTRUCTIONS BOOKLET.

DO NOT PLACE ARTICLES ON OR AGAINST THIS APPLIANCE

DO NOT STORE CHEMICALS OR FLAMMABLE MATERIALS NEAR THIS APPLIANCE.

DO NOT OPERATE WITH PANELS, COVERS OR GUARDS REMOVED FROM THIS APPLIANCE.

908-602c

THE GUARD IS FITTED TO THIS APPLIANCE TO REDUCE THE RISK OF FIRE OR INJURY FROM BURNS AND NO PART OF IT SHOULD BE PERMANENTLY REMOVED.

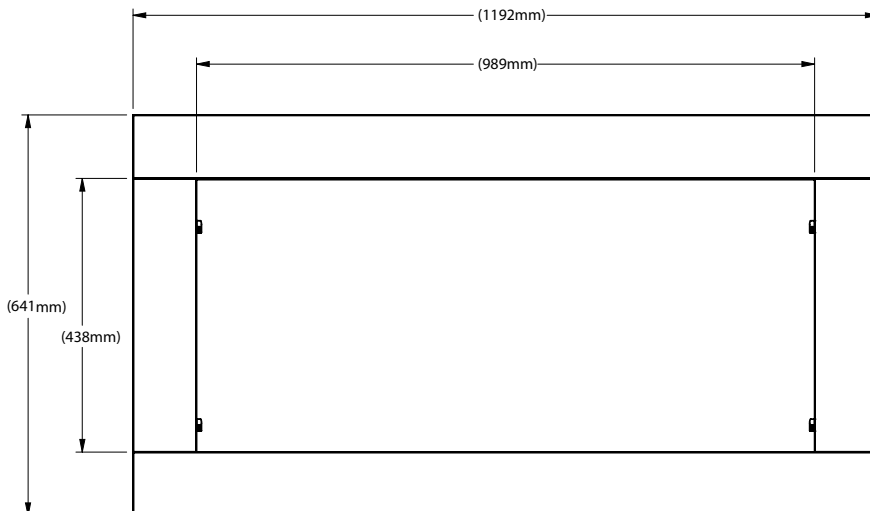
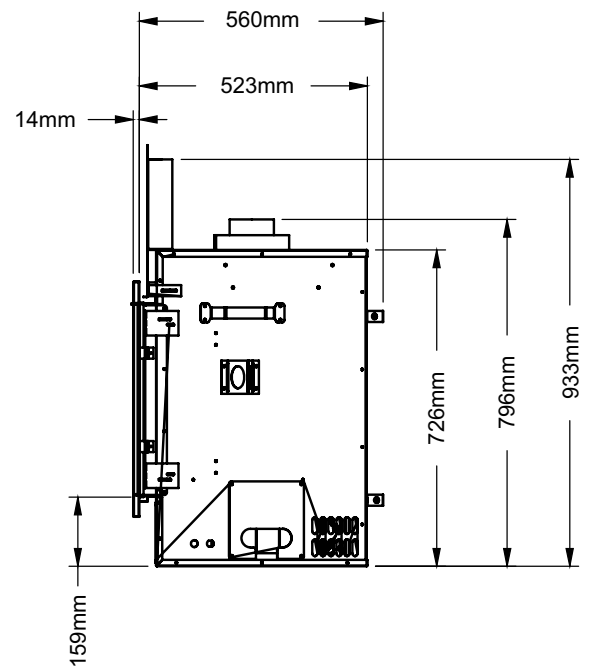
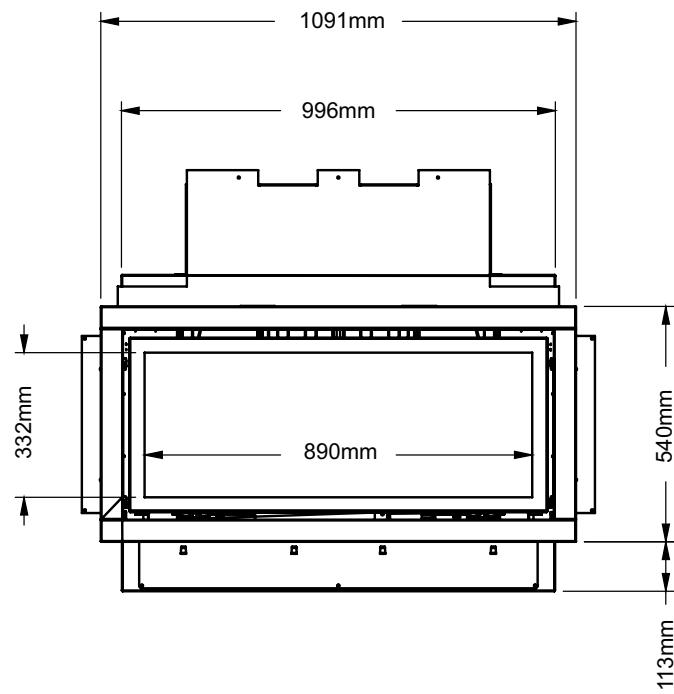
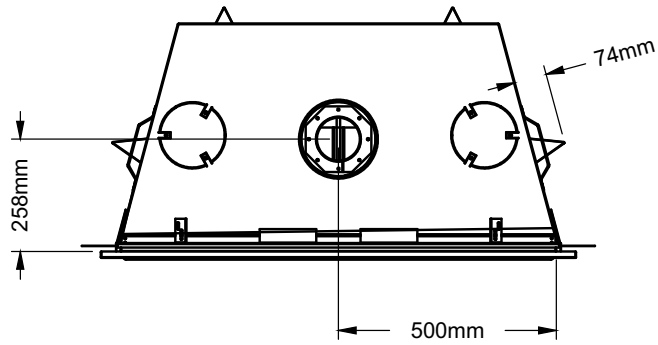
FOR PROTECTION OF YOUNG CHILDREN OR THE INFIRM, A SECONDARY GUARD IS REQUIRED.



GF900C Video

dimensions

UNIT DIMENSIONS



Verona Surround Faceplate Dimensions

IMPORTANT MESSAGE SAVE THESE INSTRUCTIONS

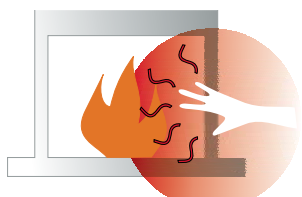
The GF900C™ Direct Flue Fireplace must be installed in accordance with these instructions. Carefully read all the instructions in this manual first. Consult the "authority having jurisdiction" to determine the need for a permit prior to starting the installation. It is the responsibility of the installer to ensure this fireplace is installed in compliance with manufacturers instructions and all applicable codes and complies with AS/NZS5601.

INSTALLATION AND REPAIR SHOULD BE DONE BY AN AUTHORIZED SERVICE PERSON. THE APPLIANCE SHOULD BE INSPECTED BEFORE USE AND AT LEAST ANNUALLY BY A PROFESSIONAL SERVICE PERSON. MORE FREQUENT CLEANING MAY BE REQUIRED DUE TO EXCESSIVE LINT FROM CARPETING, BEDDING MATERIAL, ETC. IT IS IMPERATIVE THAT CONTROL COMPARTMENTS, BURNERS AND CIRCULATING AIR PASSAGEWAYS OF THE APPLIANCE BE KEPT CLEAN.

DUE TO HIGH TEMPERATURES, THE APPLIANCE SHOULD BE LOCATED OUT OF TRAFFIC AND AWAY FROM FURNITURE AND DRAPERIES.

WARNING: FAILURE TO INSTALL THIS APPLIANCE CORRECTLY WILL VOID YOUR WARRANTY AND MAY CAUSE A SERIOUS HOUSE FIRE.

CHILDREN AND ADULTS SHOULD BE ALERTED TO THE HAZARDS OF HIGH SURFACE TEMPERATURES, ESPECIALLY THE FIREPLACE GLASS, AND SHOULD STAY AWAY TO AVOID BURNS OR CLOTHING IGNITION.



YOUNG CHILDREN SHOULD BE CAREFULLY SUPERVISED WHEN THEY ARE IN THE SAME AREA AS THE APPLIANCE. TODDLERS, YOUNG CHILDREN AND OTHERS MAY BE SUSCEPTIBLE TO ACCIDENTAL CONTACT BURNS. A PHYSICAL BARRIERS IS RECOMMENDED IF THERE ARE AT RISK INDIVIDUAL IN THE HOUSE. TO RESTRICT ACCESS TO A FIREPLACE OR STOVE, INSTALL AN ADJUSTABLE SAFETY GATE TO KEEP TODDLERS, YOUNG CHILDREN AND OTHER AT RISK INDIVIDUALS OUT OF THE ROOM AND AWAY FROM HOT SURFACES.

CLOTHING OR OTHER FLAMMABLE MATERIAL SHOULD NOT BE PLACED ON OR NEAR THE APPLIANCE.

GENERAL SAFETY INFORMATION

- 1) The appliance installation must conform with local codes or, in the absence of local codes, with the current Installation and Building Codes.
- 2) The appliance when installed, must be electrically grounded in accordance with local codes.
- 3) See general construction and assembly instructions. The appliance and flue should be enclosed.
- 4) This appliance must be connected to the specified flue and termination cap to the outside of the building envelope. Never flue to another room or inside a building. Make sure that the flue is fitted as per Flueing instructions.
- 5) Inspect the flueing system annually for blockage and any signs of deterioration.
- 6) Flueing terminals shall not be recessed into a wall or siding.
- 7) Any safety glass removed for servicing must be replaced prior to operating the appliance.
- 8) To prevent injury, do not allow anyone who is unfamiliar with the operation to use the fireplace.
- 9) Wear gloves and safety glasses for protection while doing required maintenance.
- 10) Be aware of electrical wiring locations in walls and ceilings when cutting holes for termination.

- 11) Under no circumstances should this appliance be modified. Parts that have to be removed for servicing should be replaced prior to operating this appliance.
- 12) Installation and any repairs to this appliance should be done by an authorized service person. A professional service person should be called to inspect this appliance annually. Make it a practice to have all of your gas appliances checked annually.
- 13) Do not slam shut or strike the glass door.
- 14) Under no circumstances should any solid fuels (wood, paper, cardboard, coal, etc.) be used in this appliance.
- 15) The appliance area must be kept clear and free of combustible materials, (gases and other flammable vapours and liquids).
- 16) This appliance requires 240 volt power to be able to operate.

This appliance will shut down upon a power supply interruption and or if there insufficient voltage to this appliance. The remote control will need to be turned to the off position and turned back on when power is restored.

"THIS UNIT MUST ALWAYS TERMINATE / FLUE DIRECTLY TO THE OUTDOORS."

installation

INSTALLATION CHECKLIST

- 1) Locate appliance
 - a) Room location (Refer to "Locating Your Gas fireplace" section)
 - b) Clearances to Combustibles (Refer to "Clearances" section)
 - c) Mantle Clearances (Refer to "Mantel Clearances" section)
 - d) Framing & Finishing Requirements (Refer to "Framing & Finishing" section)
 - e) Flueing Requirements (Refer to "Flueing" section)
- 2) Assemble the standoffs and nailing strips (Refer to "Unit Assembly Prior to Installation").
- 3) Slide unit into place.
- 4) Install flue (Refer to "Flueing Arrangement" sections).
- 5) Make gas connections (Refer to "Gas Line Installation" section).
- 6) Test the pilot (Refer to "Pilot Adjustment" section).
- 7) Test Gas Pressure (Refer to "Gas Pipe Pressure Testing" section).
- 8) Install standard and optional features. Refer to the following sections:
 - a) Crystal / Stone Install
 - b) Faceplate / Door Frame Overlay
 - c) Remote Control or Wall Thermostat
- 9) Final check.

Before leaving this unit with the customer, the installer must ensure that the appliance is firing correctly and **operation fully explained to customer.**

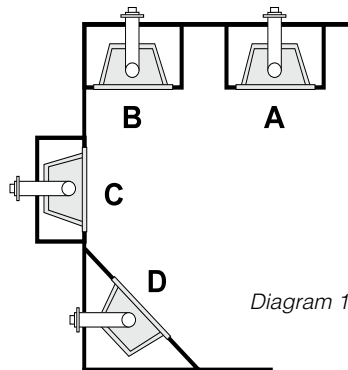
This includes:

- 1) Locking the appliance to ensure the correct firing rate (rate noted on label) after burning appliance for 15 minutes.
- 2) If required, adjusting the primary air to ensure that the flame does not carbon. First allow the unit to burn for 15-20 min. to stabilize.

CAUTION: Any alteration to the product that causes sooting or carboning that results in damage is not the responsibility of the manufacturer.

LOCATING YOUR GAS FIREPLACE

- 1) When selecting a location for your fireplace, ensure that the clearances are met.
- 2) The appliance must be installed on a flat, solid, continuous surface. For example a wood, metal or concrete floor or in a raised (on the wall) application. The appliance must be installed on a metal or wood panel extending the full width and depth of the appliance.
- 3) The GF900 Direct Flue Gas Fireplace can be installed in a recessed position or framed out into the room as in A, B, C and D. See Diagram 1.



- A) Flat on Wall
- B) Flat on Wall Corner
- C) Recessed into Wall/Alcove
- D) Corner

- 4) The GF900 Direct Flue Gas Fireplace is approved for alcove installations, see "Clearances" section for details.
- 5) We recommend that you plan your installation on paper using exact measurements for clearances and floor protection before actually installing this appliance. Have an authorized inspector, dealer, or installer review your plans before installation.

Note: For flue terminations refer to "Exterior Flue Termination Locations" section.

PACKAGING:

The unit and its contents are packaged to prevent damage during transport. After unboxing, remove the plastic wrap, then the screws that secure the unit to the pallet. Before commissioning of the unit, carefully remove the logs from inside of the unit, unwrap each log and set aside. Before installation of the logs, removal of the sheet metal cover that protects the burner is required. Refer to subsequent instructions on proper set up and safety check before placing unit into commission.

NOTE:

"NOT INTENDED FOR FIREPLACE INSERT DO NOT INSTALL IN A FIREPLACE".

CLEARANCES

The clearances listed below are Minimum distances unless otherwise stated:

A major cause of chimney related fires is failure to maintain required clearances (air space) to combustible materials. It is of the greatest importance that this fireplace and vent system be installed only in accordance with these instructions.

Caution Requirements

The top, back and sides of the fireplace are defined by standoffs. The metal ends of the standoff may **NOT** be recessed into combustible construction.

WARNING

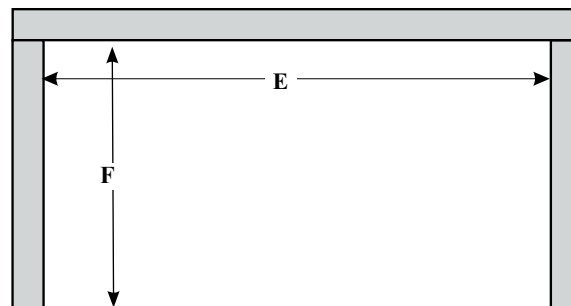
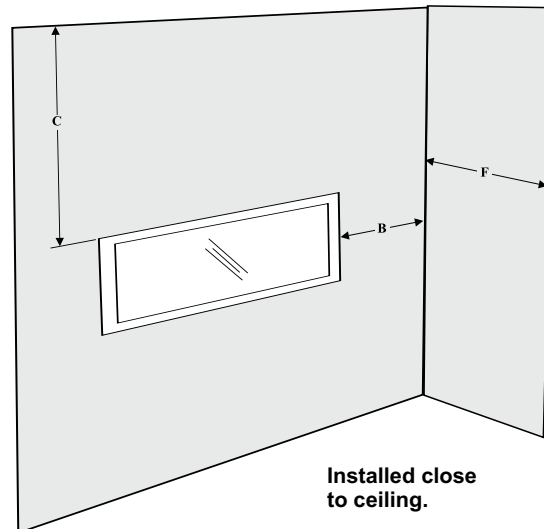
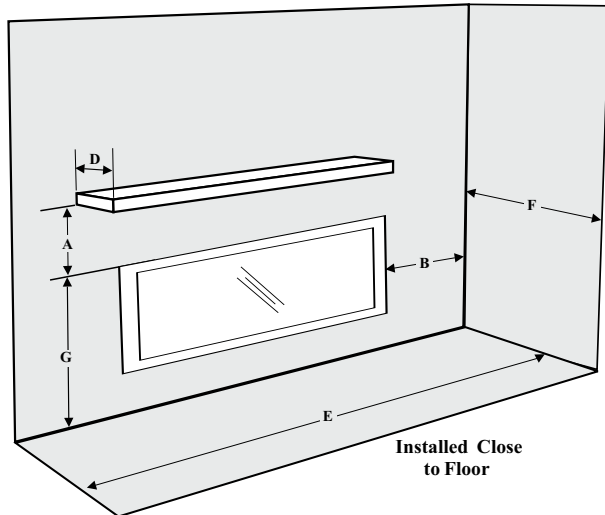
Fire hazard is an extreme risk if these clearances (air space) to combustible materials are not adhered to. It is of greatest importance that this fireplace and vent system be installed only in accordance with these instructions.

Clearance:	Dimension	Measured From:
A: Mantel Height (min.)	191mm	Top of Fireplace Opening (Hot Air Outlet)
B: Sidewall (on one side)	146mm	Side of Fireplace Opening
C: Ceiling (room and/or alcove)	1003mm	Top of Fireplace Opening
D: Mantel Depth (max.)	305mm	420mm Above Fireplace Opening
E: Alcove Width	1480mm	Sidewall to Sidewall (Minimum)
F: Alcove Depth	787mm	Front to Back Wall (Maximum)
G: From Floor	605mm	Top of Fireplace Opening (Hot Air Outlet)
Note:	0	No hearth required

Flue Clearances to Combustibles	
Horizontal - Top	76mm
Horizontal - Side	51mm
Horizontal - Bottom	51mm
Vertical	51mm

IMPORTANT: If installing a television above this appliance, the television must be either fully recessed into the wall above the fireplace and or have a mantle below the television. If the television is left unprotected, the extreme heat being emitted from this appliance will result in damage to the television. See clearance requirements for both mantle and or enclosing the top of the appliance in this manual.

NOTE: The unit can be installed onto a combustible base.



installation

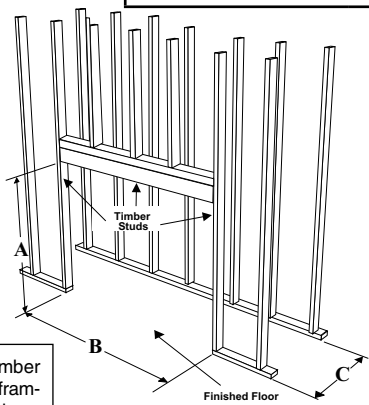
FRAMING DIMENSIONS

IMPORTANT NOTE:

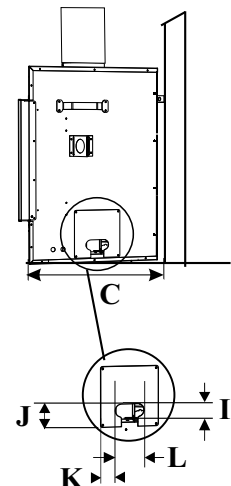
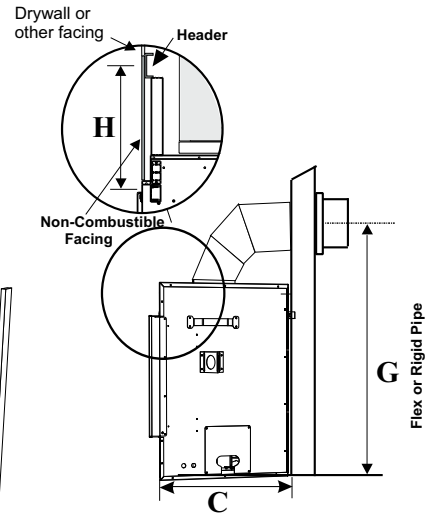
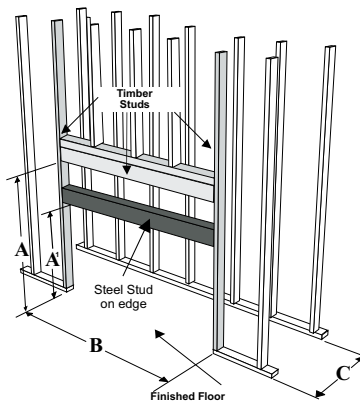
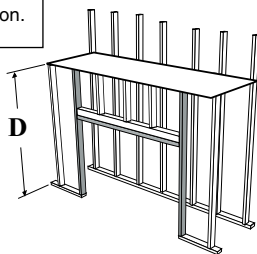
This unit can be finished with combustible facing material of thickness range 10-19mm OR non-combustible facing material of a minimum thickness 12mm.

Framing Dimensions	Description	GF900C
A	Framing Height	940mm combustible finish
A'	Framing Height -Steel Stud	756mm non combustible steel stud
B	Framing Width	1127mm
C	Framing Depth	552mm
D	Minimum Height to Combustibles	1156mm
E	Corner Wall Depth	1273mm
F	Corner Facing Wall Width	1800mm
G	Vent Centerline Height	991mm
H*	Non-combustible facing height	*see non-combustible facing height in this manual
I	Gas Connection Opening Height	38mm
J	Gas Connection Height	67mm
K	Gas Connection Inset	44mm
L	Gas Connection Opening Width	89mm

NOTE: A minimum thickness of 12mm non-combustible facing board compliant with AS1530-1 and AS1530-3 is required when using the non combustible flush finishing option. A minimum thickness of 10mm-19mm combustible facing board is required when choosing the combustible flush finishing option. Note: must maintain 13mm air gap all around the perimeter of the appliance when choosing this option.



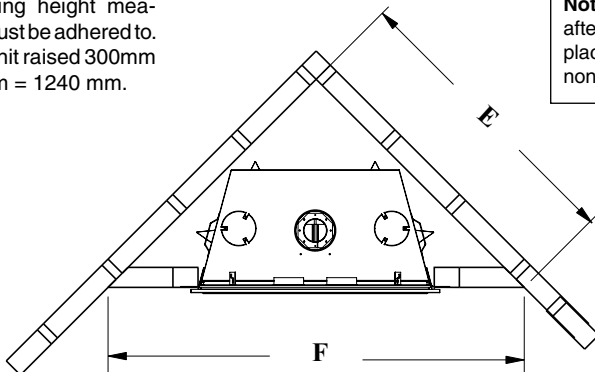
Combustible flush finishing Framing



NOTE: Do not place timber studs below the timber framing studs already in place. Additional steel studs must be added as shown when choosing the non combustible flush finishing option.

Note: If raising the unit, then the minimum framing height measurement (A) must be adhered to. For example: Unit raised 300mm then $A + 300\text{mm} = 1240\text{mm}$.

Note: Steel stud must be installed after unit has been positioned in place and prior to installation of non-combustible finishing



COMBUSTIBLE FINISHING UNIT ASSEMBLY/ FINISHING/ MANTEL CLEARANCES + MANTEL LEG CLEARANCES

UNIT ASSEMBLY PRIOR TO INSTALLATION

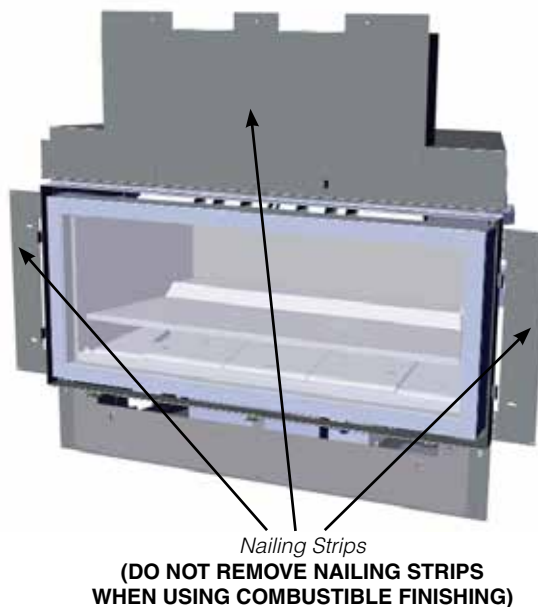
The nailing strips must be correctly positioned and attached before unit is slid into position.

NAILING STRIPS-COMBUSTIBLE FINISHING

The nailing strips come attached to the unit. There is 1 plate on each side, 1 on the top. The top and side nailing strips are secured to the framing.

IMPORTANT NOTE

Framing depth measurement is noted with the nailing strips set as far forward on the firebox as possible. The nailing strips can be adjusted back up to 38mm to allow for varying thicknesses in non-combustible material & wall finishes.

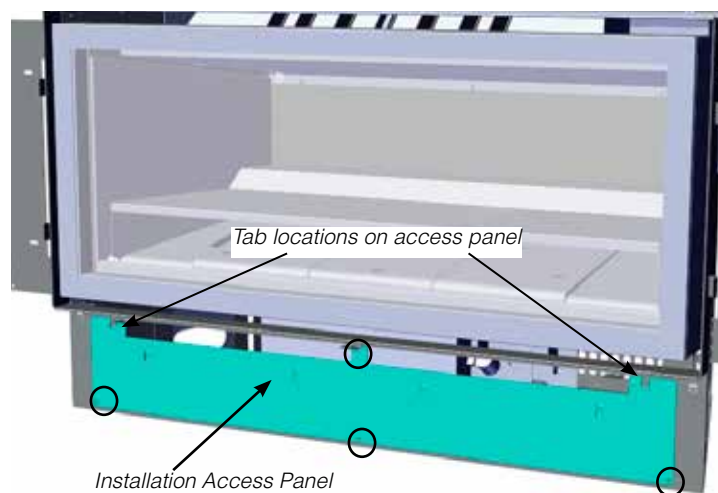


INSTALLATION ACCESS PANEL

The unit is equipped with a removable access panel for pre-finish installation of optional components - this panel is located on the lower front face.

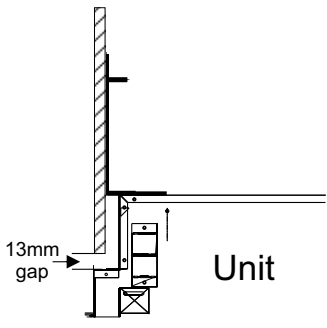
1. Remove 4 screws to remove access panel.
2. Easier access to gas connection with panel removed.
3. Install any optional components with access panel removed.
4. Reinstall access panel, line up 2 upper tabs and secure in place with 4 screws.

Note: Access panel is no longer usable/accessible once facing material installed.



installation

FRAMING & FINISHING (COMBUSTIBLE)

Finished Material		
<p>10mm-19mm thickness using combustible finishing</p> <p>Note: must maintain 13mm air gap all around (see diagrams below and on next page)</p>	1st slot	

Note:

***Finishing Trim or one of the fascias must be used with combustible finishing.**

10mm to 19mm combustible finishing can be used if the 13mm air gap around the front facing of the unit is maintained. Finishing material cannot be thicker than 19mm and must be flush with the front edge of the flange.

Note:

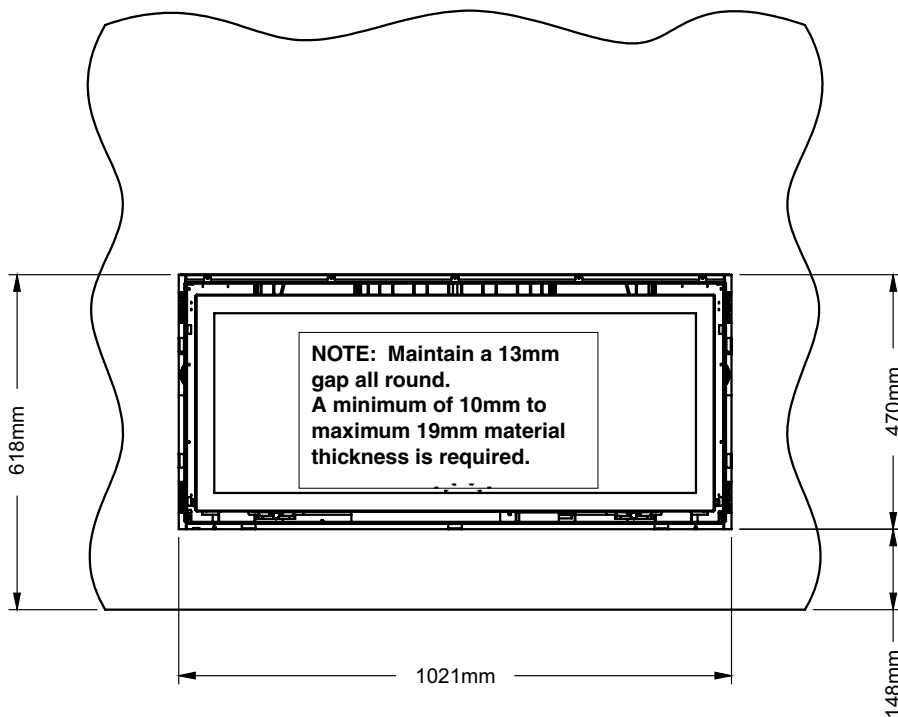
- The siding nailing strips are factory set at 10mm. The top nailing strip is fixed during transit to the rear of the appliance.
- Do not place any reinforcement in front of header and behind finishing material.
- The nailing strip must be used. It is fixed during transit to the rear of the unit.

Note:

Depending on the material used for finishing, the nailing strips must be set accordingly so that the finished material is always be flush with the edge of the flange.

If finishing with material with a combined thickness greater than 19mm, non-combustible material must be used.

COMBUSTIBLE REQUIREMENTS



NOTE:

The appliance must be installed on a flat, solid, continuous surface For example a wood, metal or concrete floor. In a raised (on the wall) application the appliance must be installed on a metal or wood panel extending the full width and depth of the appliance.

NOTE:

Do not remove the standoffs which are located around the perimeter off this unit These are in place and act as a guide for the combustible material to be placed.

CLEARANCES FOR COMBUSTIBLE FINISHING WITH MANTEL

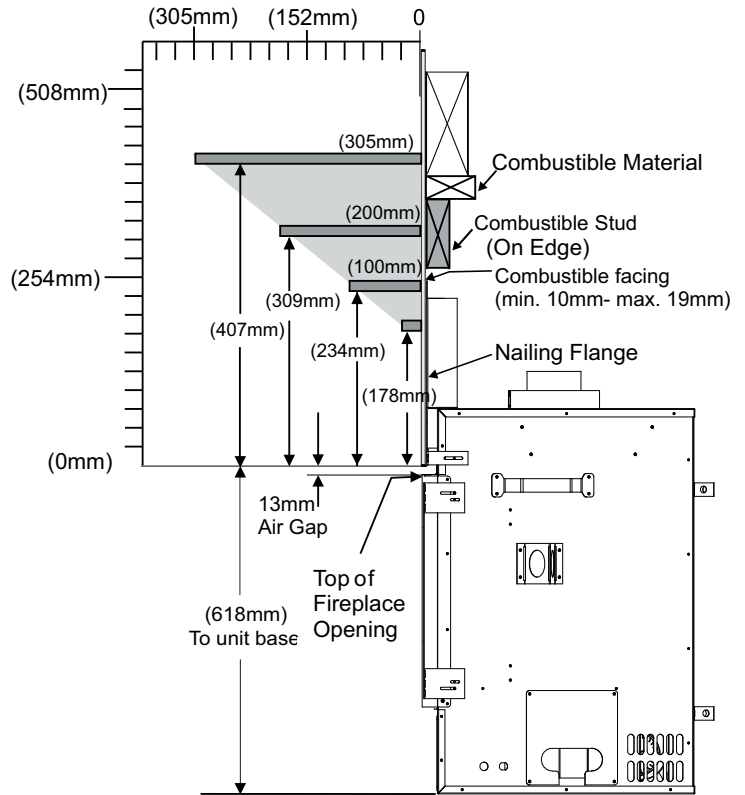
Due to the extreme heat this fireplace emits, the mantel clearances are critical.

Combustible finishing and mantel clearances are shown in the diagram on the right. Finishing Trim must be used with combustible finishing.

Note: Maximum combustible finishing material thickness is 19mm measured from the front of the fireplace opening. If total finishing material is greater than 19mm, non-combustible must be used.

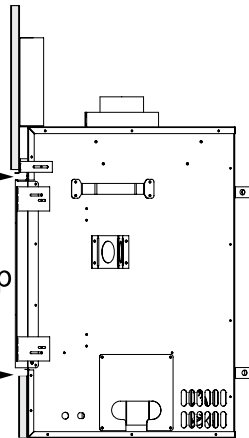
Note: Ensure the paint that is used on the mantel and the facing is "high quality" or the paint may discolour.

Note: Combustible mantel starts at 796mm (618mm + 178mm) from unit base.



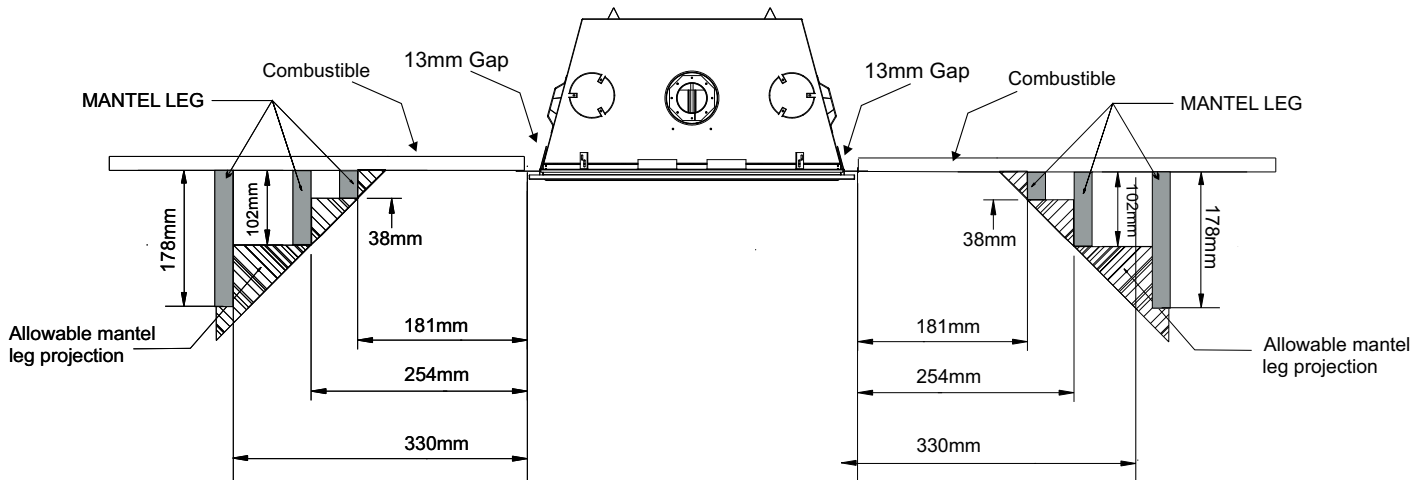
IMPORTANT:

maintain a 13mm gap all round



COMBUSTIBLE MANTEL LEG CLEARANCES

Mantel leg & combustible finishing clearances as per diagram:

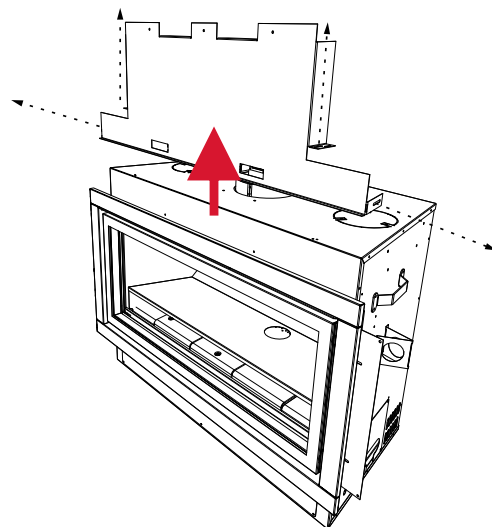


installation

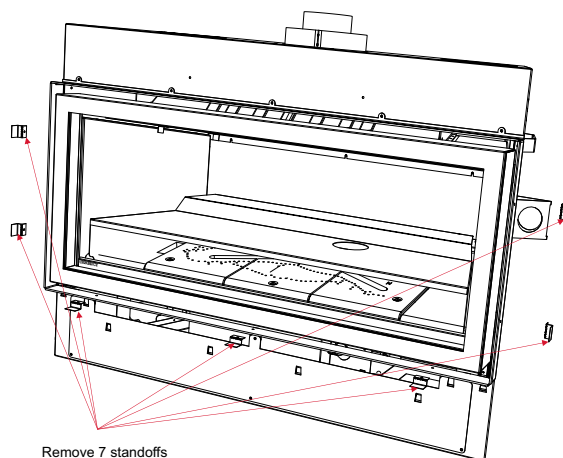
NON COMBUSTIBLE FLUSHED FINISHING UNIT ASSEMBLY/ FINISHING/ MANTEL CLEARANCES + MANTEL LEG CLEARANCES

REMOVE TOP NAILING STRIPS & STANDOFFS

Remove the top nailing strip/standoff by removing 4 screws in locations shown in Diagram to the right, then lift off and recycle.



Break off the 7 standoffs with a pair of pliers.

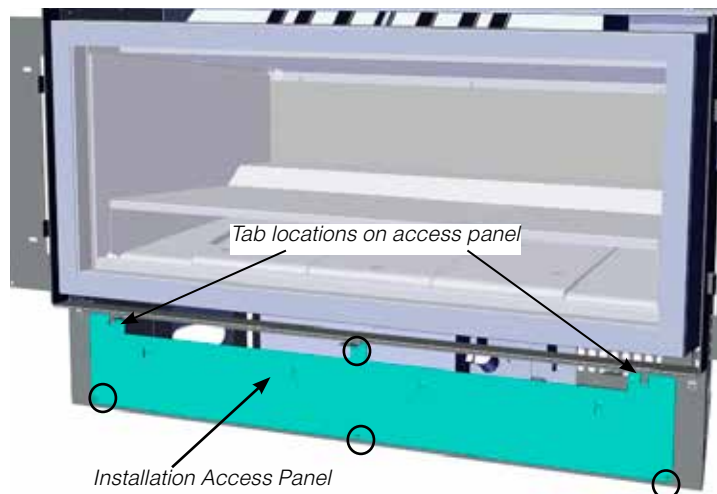


INSTALLATION ACCESS PANEL

The unit is equipped with a removable access panel for pre-finish installation of optional components - this panel is located on the lower front face.

1. Remove 4 screws to remove access panel.
2. Easier access to gas connection with panel removed.
3. Install any optional components with access panel removed.
4. Reinstall access panel, line up 2 upper tabs and secure in place with 4 screws.

Note: Access panel is no longer usable/accessible once facing material installed.



CLEARANCES FOR NON-COMBUSTIBLE FLUSHED FINISHING WITH MANTEL

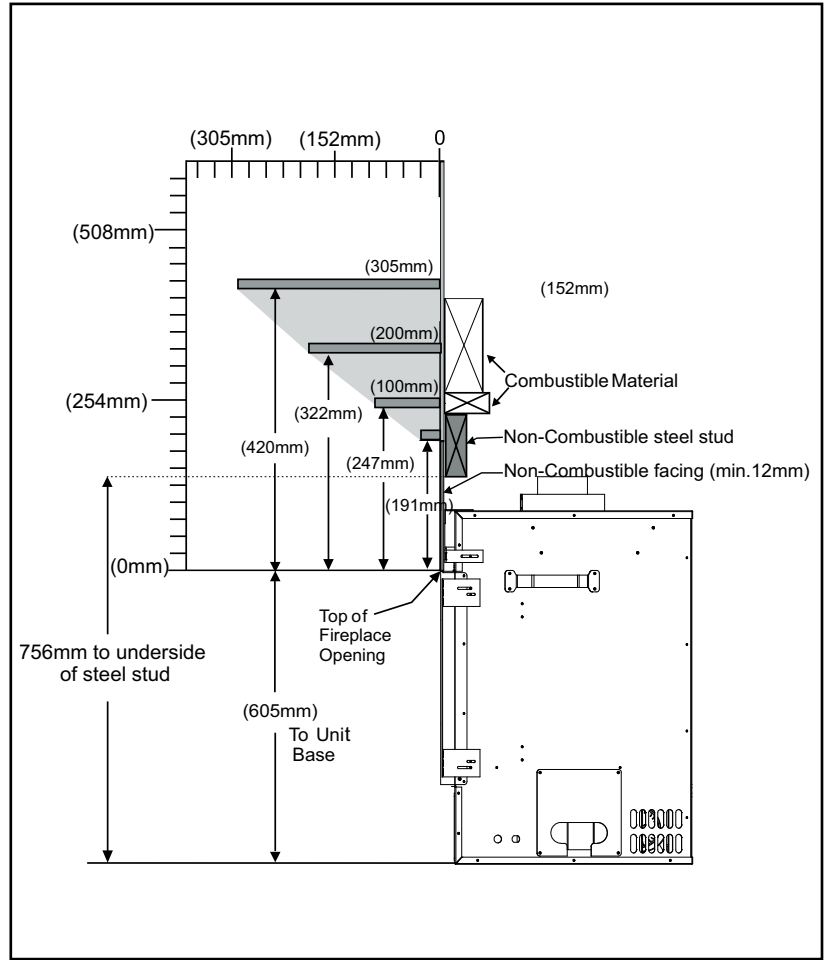
Due to the extreme heat this fireplace emits, the mantel clearances are critical.

Combustible mantel clearances from top of front facing are shown in the diagram on the right.

Note: For a flushed finish using non-combustible finishing, seven 13mm stand-off tabs around the fireplace opening must be broken off. The top nailing flange cannot be used and a non-combustible steel stud must be installed to support the non-combustible facing.

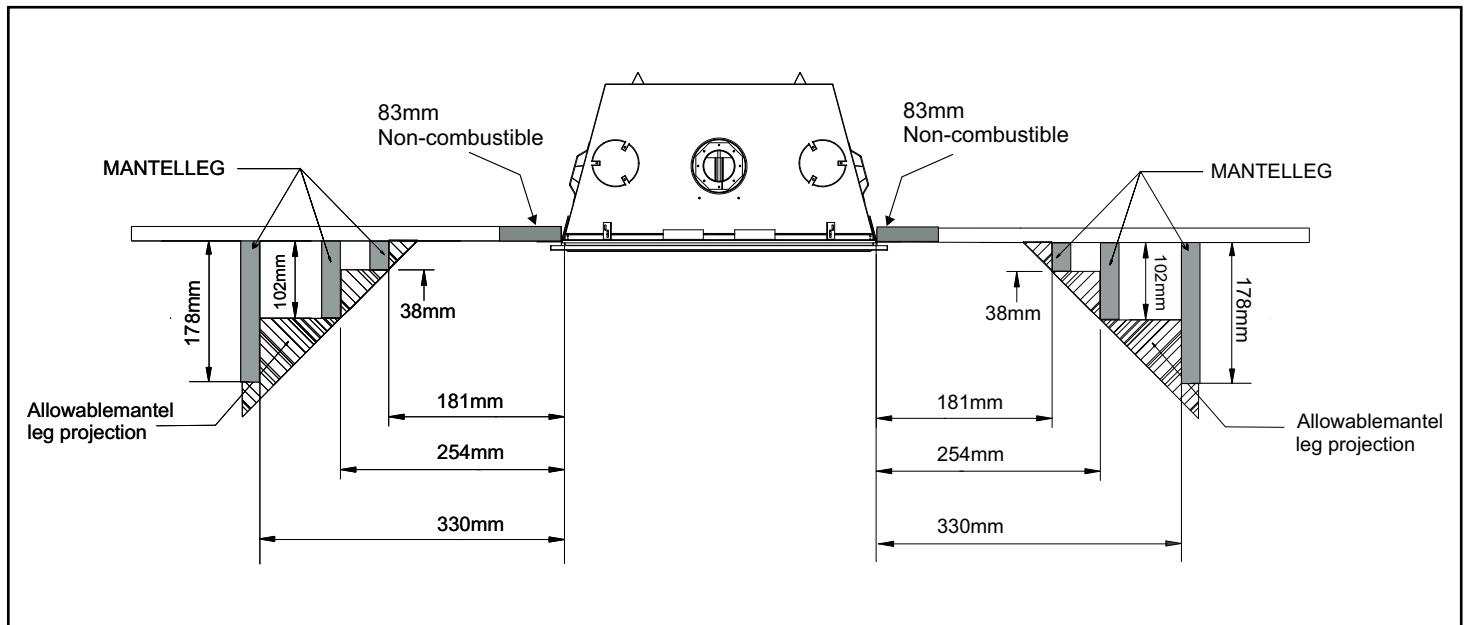
Note: Ensure the paint that is used on the mantel and the facing is "high quality" or the paint may discolour.

Note: Combustible mantel starts at 796mm (605mm + 191mm) from unit base.



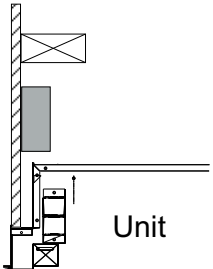
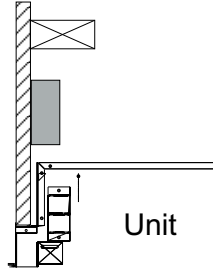
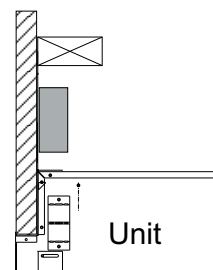
NON COMBUSTIBLE MANTEL LEG CLEARANCES

Mantel leg & Non-combustible finishing clearances as per diagram: (Flushed Finish)



installation

FLUSH FINISHING & FRAMING WITH NON-COMBUSTIBLE MATERIAL

Finished Material	* diagrams shown below are with top nailing strip removed.
12mm	
25mm	
38mm	

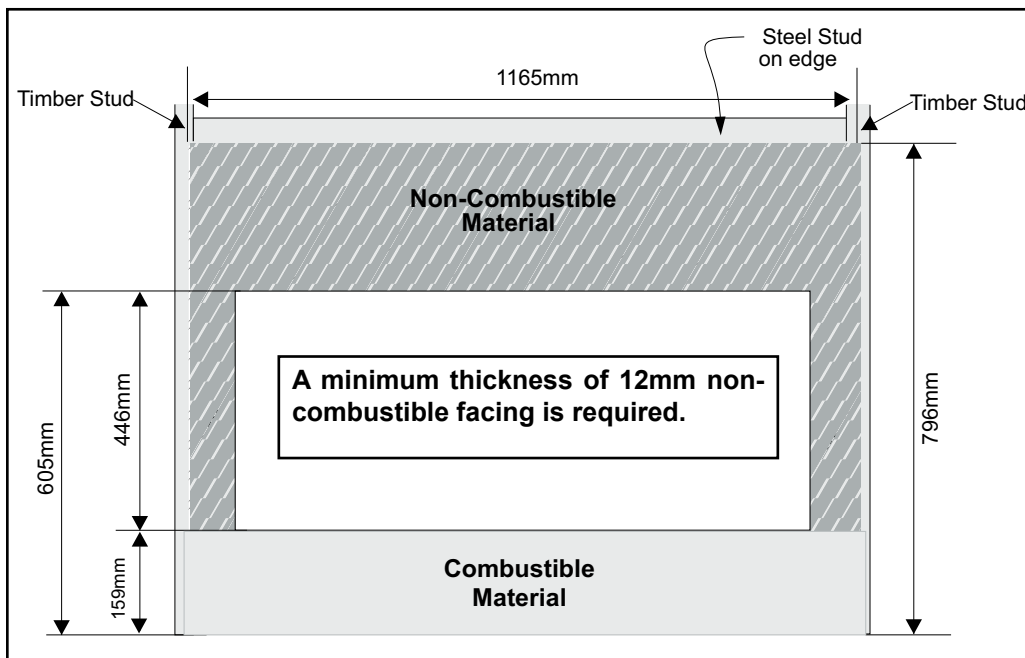
Note: For flush finishing, the top nailing strip must be removed and a non-combustible steel stud support added.

The seven fireplace opening standoffs which are located on this unit can be removed when non-combustible material is installed flush with the unit. (see P. 13).

Non-combustible finishing material on the top and sides must also be used.

MINIMUM THICKNESS OF THE FINISH MATERIAL: 12MM

NON COMBUSTIBLE REQUIREMENTS

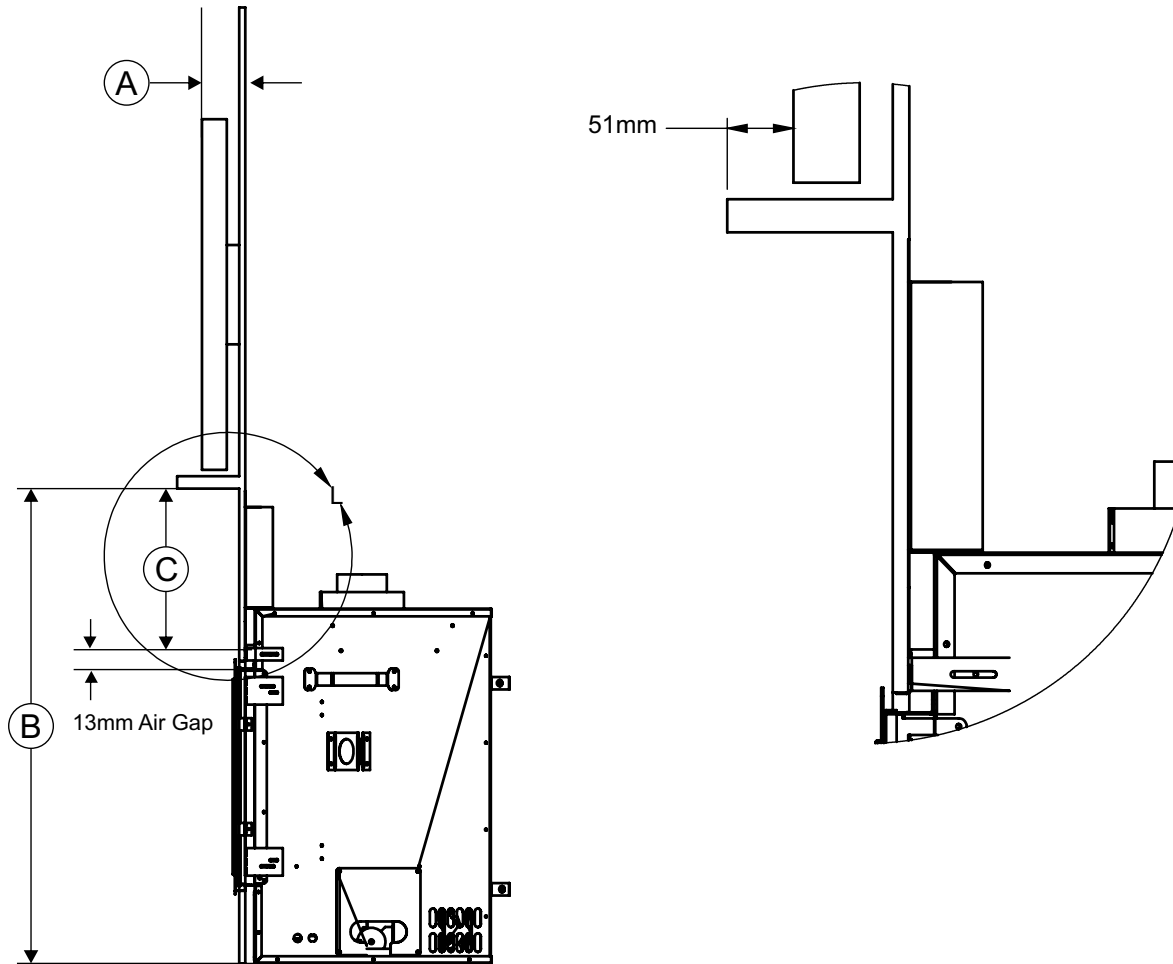


NOTE:

The appliance must be installed on a flat, solid, continuous surface. For example a wood, metal or concrete floor. In a raised (on the wall) application the appliance must be installed on a metal or wood panel extending the full width and depth of the appliance.

INSTALLING A TV / ARTWORK FLUSH WITH THE UNIT

Note: All wiring should stay free and clear of the vent system to avoid damage due to heat, if located directly in front of the vent system.
 Ensure wiring is secured without any sag.
 Heat deflector must overhang front of TV by 51mm.
 Follow mantel clearance chart for install height and heat deflector depth.

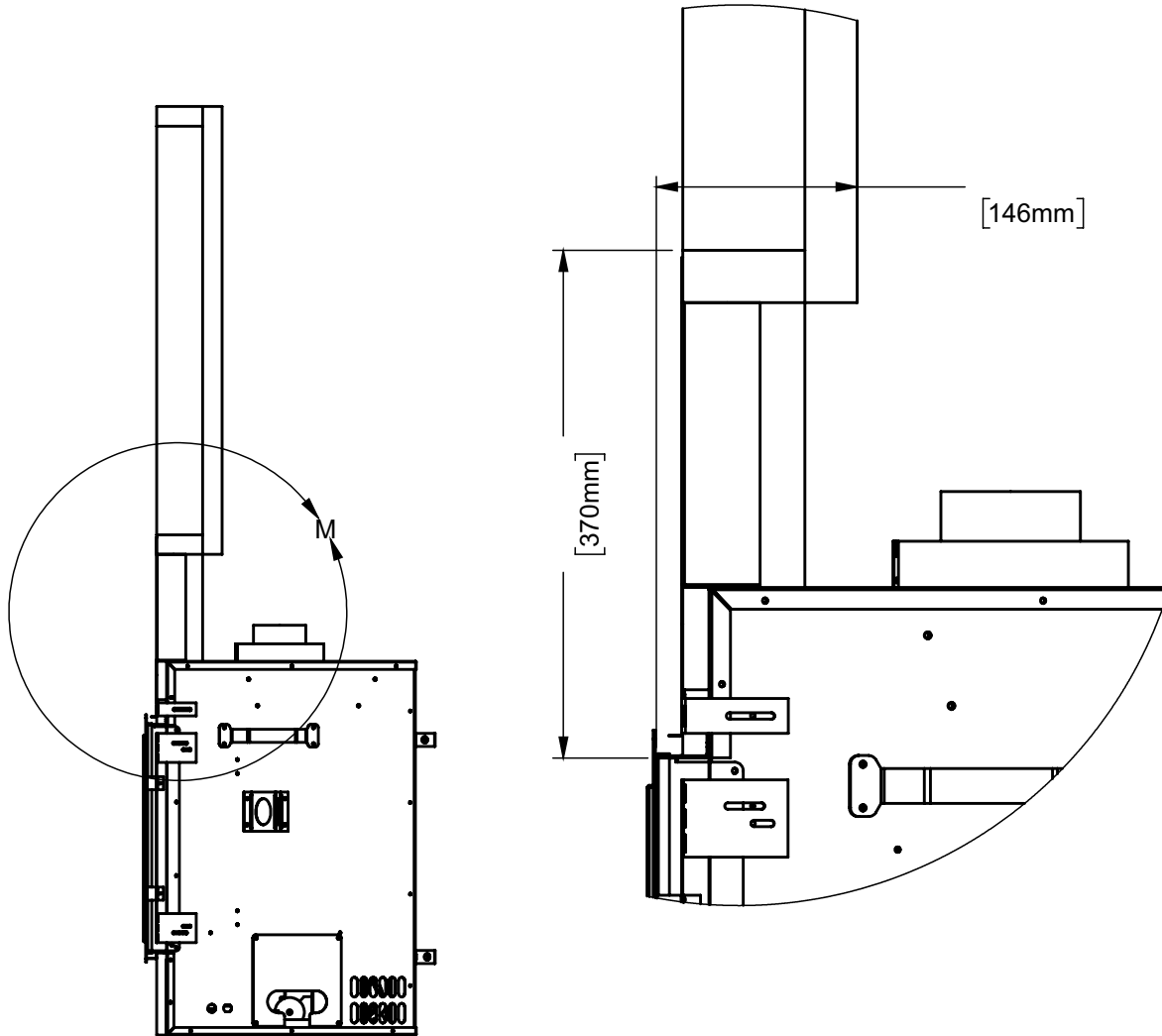


Note: The TV mounting bracket can not be secured directly to the appliance. It must be secured to framing. The TV depicted in the picture may need to be higher depending on the style of TV mounting bracket used. The mounting bracket shown is a simple single strip TV secured to framing.

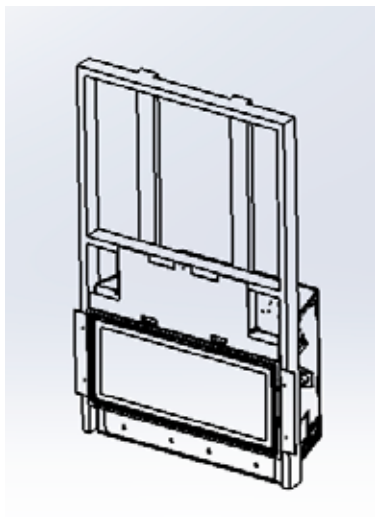
installation

INSTALLING A TV / ARTWORK ENCLOSED ABOVE THE UNIT

Maximum recess is 146mm.
Minimum height is 370mm from top lip.



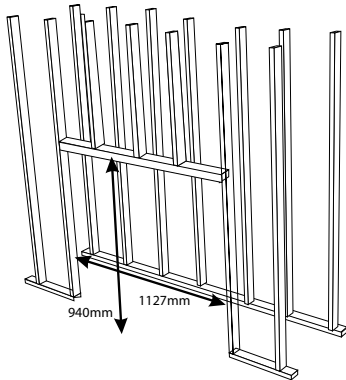
DETAIL M
SCALE 1 : 6



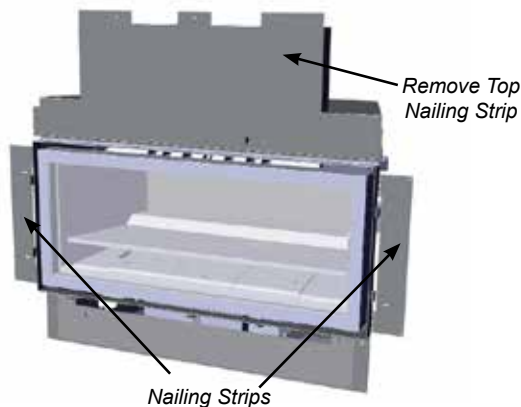
Ensure framing does not interfere with venting

OPTIONAL FRAMING KIT

1. Construct the timber framing, ensure inside dimensions are 940mm H x 1127mm W as shown below.

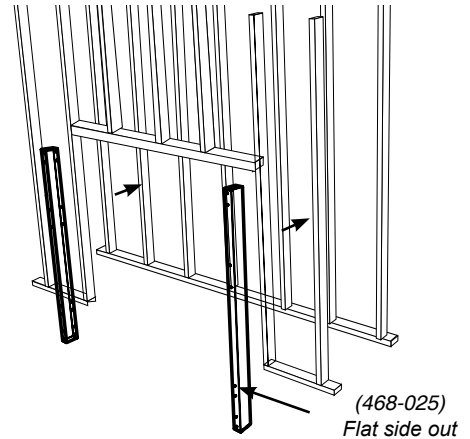
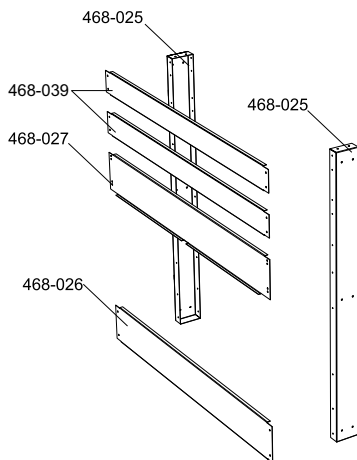


2. Bend both side nailing strips from the side of the appliance until positioned as shown below. Determine the overall combined thickness of the non-combustible board + finished material being used. The nailing strips can be adjusted up to 38mm. Remove top nailing strip and recycle.

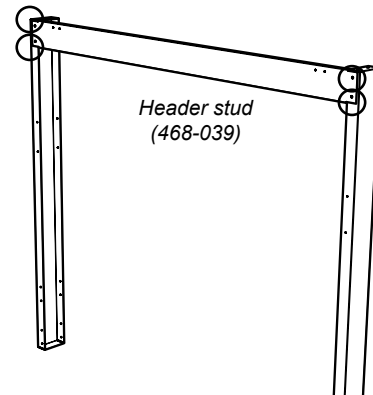


3. Adjust the nailing strips by loosening 2 screws on each nailing strip - adjust and retighten screws.
NOTE: depending on the finishing material used.
4. Attach both vertical studs (468-025) to the vertical timber studs and secure using 6 screws (2 at bottom, 2 at top and 2 on sides) as shown.

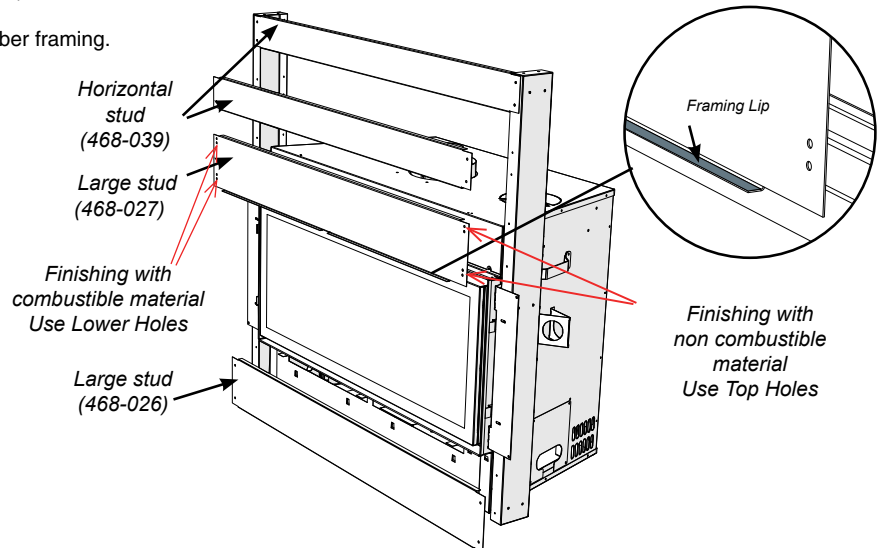
NOTE: Ensure the flat side of the steel stud is facing the timber framing.



5. Secure horizontal steel header stud (468-039) with 2 screws per side as per diagram.



6. Slide the unit into position. Hook up gas, flueing, electrical and conversion kit (if purchased) prior to installing the remaining steel studs.
7. Secure the upper horizontal steel stud (468-039) as shown with 2 screws per side.
8. Secure the top large horizontal stud (468-027) with 2 screws per side as shown. Bring finishing material to the edge of the top framing lip on large stud (468-027).
9. Install the large lower stud (468-026) with 2 screws on each side.



installation

NON COMBUSTIBLE FACING INSTALLATION

IMPORTANT NOTE:

Prior to installation of non-combustible materials by others, check and inspect carefully for any hairline cracks and or damage to board. The non combustibile board must be a minimum of 12mm thick and comply with AS1530-1 and AS1530-3. Material which is thinner may crack as a result due to the high temperatures this appliance emits.

1. Using screws for use with non-combustible boards-secure non-combustible material around unit, framing and top nailing strip every 150mm
Important Note: To avoid cracking the board-pre-drill holes prior to securing to unit/framing.
2. Wipe any debris/dust from the non-combustible material and dry wall.
3. Prior to securing, it is mandatory to prime the facing and edges using a quality primer. This will ensure proper adhesion of the tape, filler and paint.
Failure to follow this procedure will result in cracked seams.
4. Tape the seams using a mesh type tape.
5. Fill seams as normal. Avoid using filler which shrinks excessively. Filler must be cured as per manufacturer's recommendations.
6. Prime wall for a second time for proper adhesion of paint.
7. Paint walls using a high quality paint which will withstand the high temperatures being emitted from this appliance.

NOTE: When applying 12mm minimum non-combustible board to framework it is advisable to use the same 12mm minimum non-combustible board on the whole front face of the wall.

When using a standard fascia cut out the clean edge trim opening plus a further 10 mm border.

When using a 15mm finishing trim cut out the clean edge trim opening plus a further 4mm border.

When using painted 12mm minimum non-combustible board as finished wall surface use 15mm finishing trim.

When using clean edge trim do not seal heater to finished wall material.

The above will allow for possible expansion and contraction.

IMPORTANT

Regency Fireplace Products are designed, produced, tested and certified to the highest industry standards. The finishing of the walls surrounding Regency is as critical as the installation itself. The temperatures around linear gas fireplaces are typically higher than would be acceptable for the combustibile materials. Your Regency Fireplace is no exception to this rule. Therefore, the units are specified with non-combustible required materials to specific dimensions above and around the units. This is due to these areas reaching higher temperature levels than required/acceptable for a combustibile material. To obtain the best, most durable finish around your fireplace, this calls for a high level of care and attention to the preparation and finish around this appliance, using only the highest quality materials, able to withstand the temperatures produced.

By following the installation instructions in the manual exactly, you will increase your chances for a damage free finish.

Every precaution is taken in providing the recommendations on preparation and finish, given the variation in paint quality, with temperature limits and workmanship applied to or used in any application surrounding the fireplace. This includes framing as well as finishing.

Over time natural convection from any fireplace can cause discoloration in the area directly above the appliance. Lower quality paints, under prepared finishes, poor applications and any framing discrepancies or in the installation can cause this discoloration process to be expedited.

Discoloration is not the responsibility of Regency Fireplace Products, we believe careful attention to the recommendations provided here will be result in aesthetically pleasing result free of issues outlined above.

FRAMING & FINISHING (CLEAN FINISH INSTALLATIONS ONLY)

1. Frame in the enclosure for the unit with framing material.

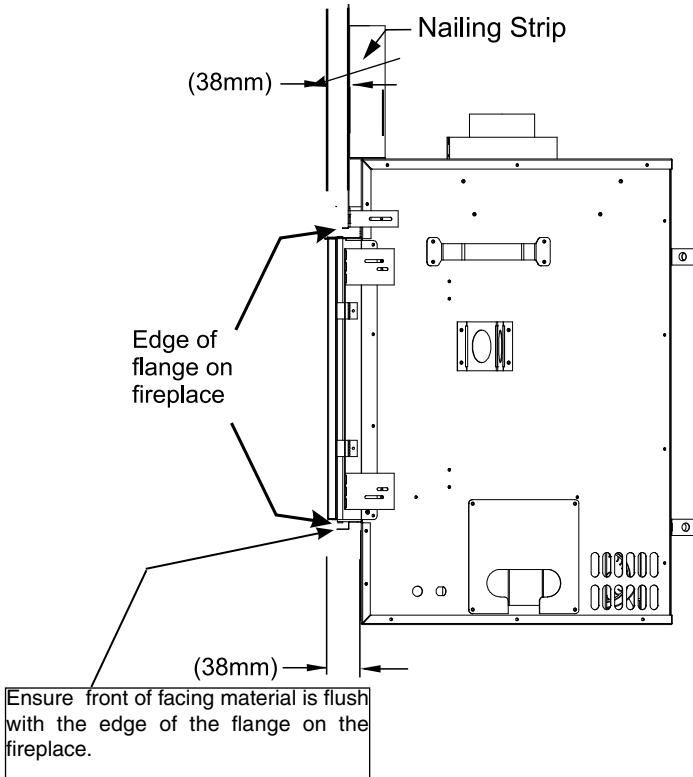
IMPORTANT: The framed opening must be of non-combustible material.

Note: When constructing the framed opening, please ensure there is access to install the gas lines when the unit is installed.

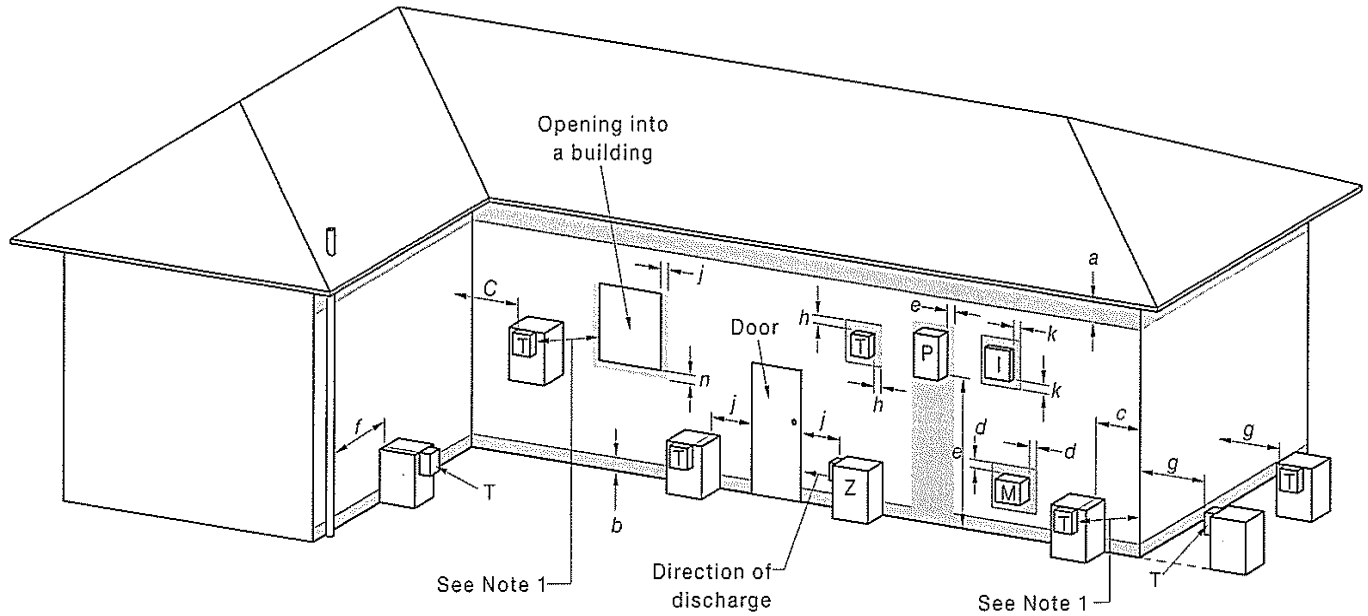
2. For exterior walls, insulate the enclosure to the same degree as the rest of the house, apply vapour barrier and drywall, as per local installation codes. **(Do not insulate the fireplace itself and/or the flueing. Clearances must be maintained as per this manual.)**

WARNING: Failure to insulate and add vapor barriers to the inside of the exterior wall will result in operational and performance problems including, but not limited to: excessive condensation on glass doors, poor flame package, carbon, blue flames etc. These are not product related issues.

3. The unit does not have to be completely enclosed in a chase. You must maintain clearances from the flue to combustible materials: See "Clearances" section. Combustible materials can be laid against the side and back standoffs and the appliance base.
4. Non-combustible material (ie. tile, slate, etc) may be brought up to and overlap the unit (top and bottom) ensuring that the maximum thickness does not go beyond the 38mm as shown in the diagram below. The faceplate will not be able to be mounted if finished material is beyond 38mm.



EXTERIOR FLUE TERMINATION LOCATIONS



I = Mechanical air inlet M = Gas meter P = Electricity meter or fuse box T = Flue terminal Z = Fan-assisted appliance only


 Shading indicates prohibited area for flue terminals

FIGURE 6.2 (in part): LOCATION OF FLUE TERMINALS OF BALANCED FLUE AS/NZ 5601, ROOM-SEALED, FAN ASSISTED OR OUTDOOR APPLIANCE

CLEARANCES

Ref.	Item	Minimum clearances (mm)	
		Natural Draught	Fan Assisted
<i>a</i>	Below eaves, balconies and other projections:		
	<i>Appliances</i> up to 50 MJ/h input	300	200
	<i>Appliances</i> up to 50 MJ/h input	500	300
<i>b</i>	From the ground, above a balcony or other surface*	300	300
<i>c</i>	From a return wall or external corner*	500	300
<i>d</i>	From a <i>gas meter</i> (M) (see Note 5) (see Clause 5.11, 5.9 for vent terminal location of regulator) (see Table 6.7 for New Zealand requirements)	1000	1000
<i>e</i>	From an <i>electricity meter</i> or <i>fuse box</i> (P)† (see Note 5)	500	500
<i>f</i>	From a drain or soil pipe	150	75
<i>g</i>	Horizontally from any building structure* or obstruction facing a terminal	500	500
<i>h</i>	From any other <i>flue terminal, cowl, or combustion air intake</i>	500	300
<i>j</i>	Horizontally from an openable window, door, non-mechanical air inlet, or any other opening into a building iwth the exception of sub-floor ventilation:		
	<i>Appliances</i> up to 150MJ/h input*	500	300
	<i>Appliances</i> over 150MJ/h input up to 200 MJ/h input*	1500	300
	<i>Appliances</i> over 200MJ/h input up to 250 MJ/h input**	1500	500
	<i>Appliances</i> over 250MJ/h input*	1500	1500
	All fan-assisted <i>flue appliances</i> , in the direction of discharge	-	1500
<i>k</i>	From a mechanical air inlet, including a spa blower	1500	1000
<i>n</i>	Vertically below an openable window, non-mechanical air inlet, or any other opening into a building iwth the exception of sub-floor ventilation:		
	Space heaters up to 50MJ/h input	150	150
	Other appliances up to 50 MJ/h input	500	500
	Appliance over 50 MJ/h input and up to 150 MJ/h input	1000	1000
	Appliances over 150 MJ/h input	1500	1500
<p>* Unless <i>appliance</i> is <i>certified</i> for closer installation. † Prohibited area below electricity meter or fuse box extends to ground level.</p> <p>NOTES: 1 Where dimension <i>c, j or k</i> cannot be achieved an equivalent horizontal distance measured diagonally from the nearest discharge point of the terminal to the opening may be deemed by the <i>Technical Regulator</i> to comply. 2 See Clause 6. 9. 4 for restriction on the <i>flue terminal</i> under a covered area. 3 See Figure J3 for clearances required from a flue terminal to an LP Gas cylinder. A flue terminal is considered to be a source of ignition. 4 For appliance not addressed above acceptance should be obtained from the Technical Regulator. 5 Minimum clearance <i>d</i> and <i>e</i> also apply to any combustion air intake openings of appliances.</p>			

installation

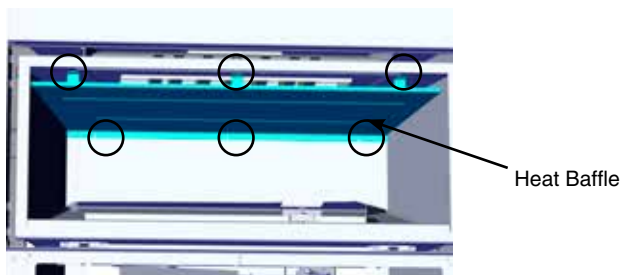
FLUE RESTRICTOR POSITION

Flue restriction is required for certain flueing installations, see the diagrams in the "Flueing Arrangements" section to determine if they are required for your installation.

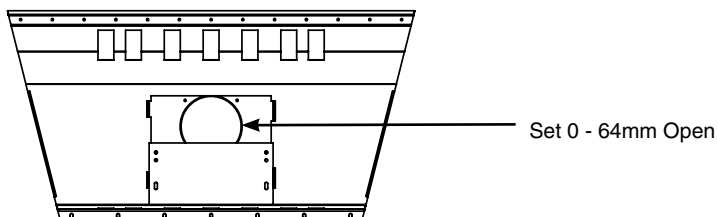
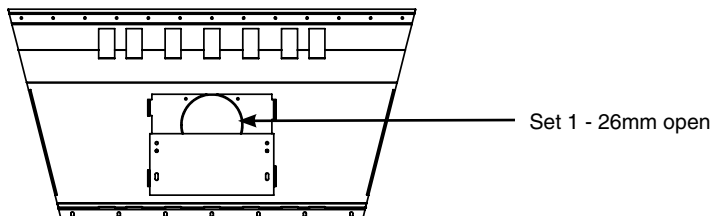
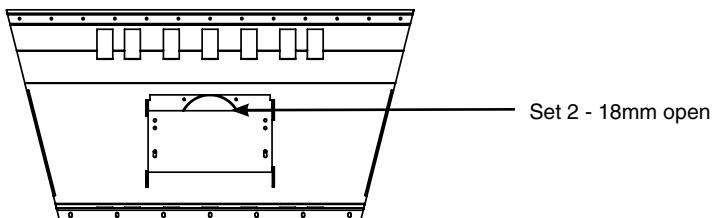
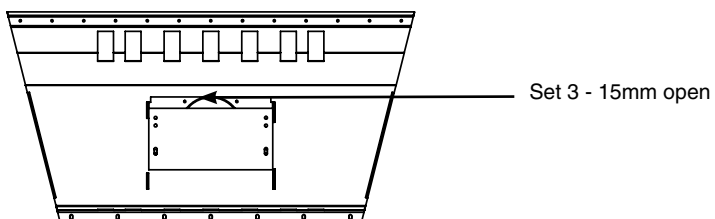
The Flue Restrictor plate is located on the inside top of the firebox.

To set the flue restriction as indicated in the flueing arrangements diagrams, refer to the following instructions;

1. Remove the glass door and inner panels - see instructions in this manual.
2. Remove 6 screws (3 front - 3 back) to remove heat baffle to access restrictor plate.



3. Remove the screws that hold the flue restrictor in place.
4. Adjust the flue restrictor plate to the required flue restrictor position as per the diagrams shown below.
5. Once the flue restrictor plate is in the required position, secure with screws.



FLUEING INTRODUCTION

The GF900 uses the "balanced flue" technology Co-Axial system. The inner liner flues products of combustion to the outside while the outer liner draws outside combustion air into the combustion chamber thereby eliminating the need to use heated room air for combustion and losing warm room air up the chimney.

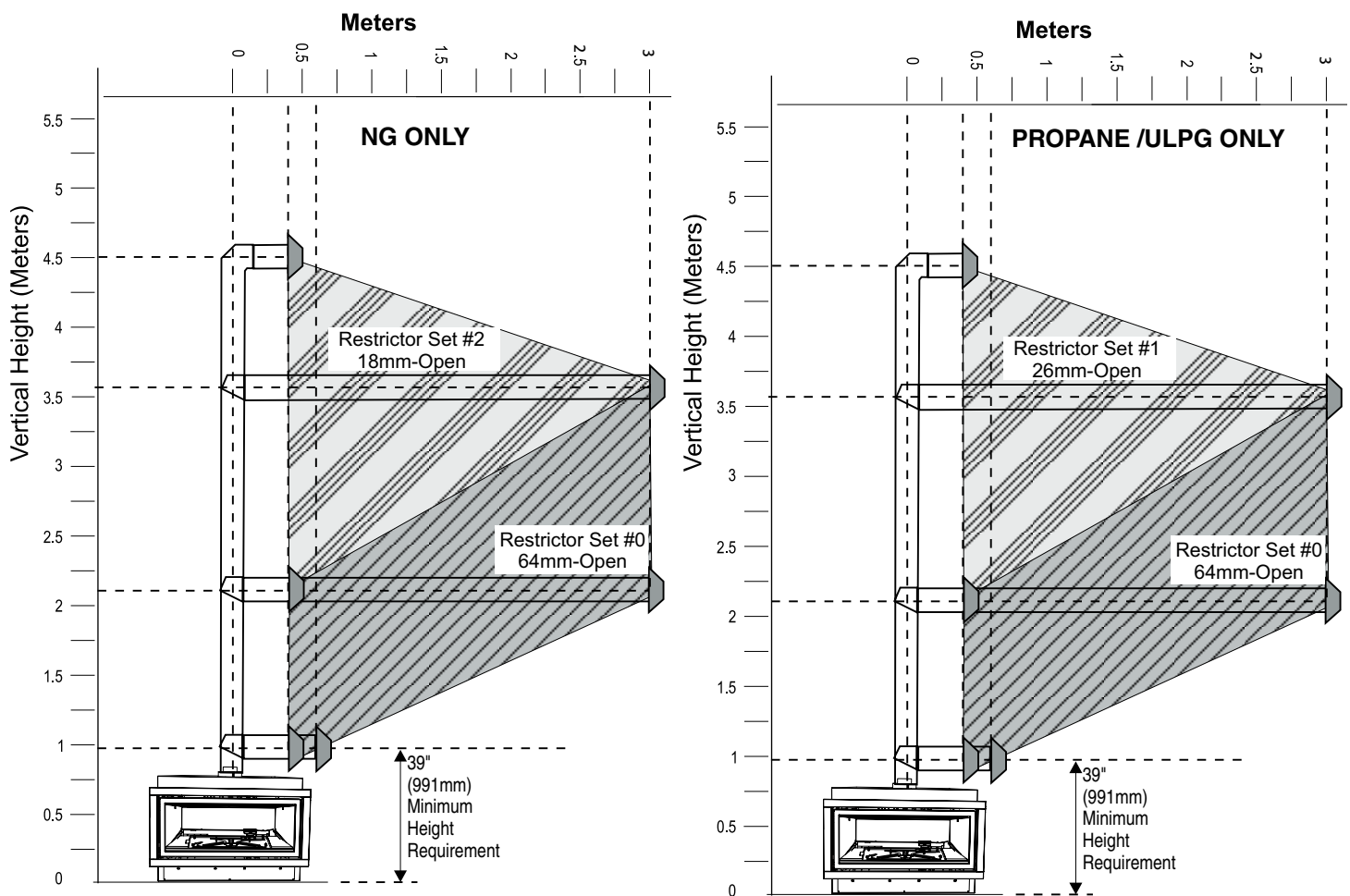
Note: These flue pipes must not be connected to any other appliance.

The gas appliance and flue system must be flueed directly to the outside of the building, and never be attached to a chimney serving a separate solid fuel or gas burning appliance. Each direct flue gas appliance must use its own separate flue system. Common flue systems are prohibited.

FLUEING ARRANGEMENT FOR HORIZONTAL TERMINATIONS

The diagram shows all allowable combinations of vertical runs with horizontal terminations, using one 90° (two 45° elbows equal one 90° elbow).

Note: Must use optional rigid pipe adapter (Part# 510-994) when using Rigid Pipe Flueing Systems.



Flue RESTRICTOR SETTING:

Flue restrictor factory set at Set 0.

Refer to the "Flue Restrictor Position" section for details on how to change the flue restrictor from the factory setting of Set 0 to Set 1 if required.

Note: For horizontal terminations the Regency Direct Flue Flex System may be used for installations with a maximum continuous flue length of up to 3m. If longer runs are required, rigid pipe must be used.

- Maintain clearances to combustibles as listed in "Clearances" section
- Horizontal flue must be supported every 0.9m
- Firestops are required at each floor level and whenever passing through a wall.
- A flue guard should be used whenever the termination is lower than the specified minimum or as per local codes.
- Flex system can only be used up to 3m - otherwise rigid flueing must be used.

installation

FLUEING ARRANGEMENTS HORIZONTAL TERMINATION (FLEX) Regency® Direct Vent System

These flueing systems, in combination with GF900C, have been tested and listed as a Direct Vent system by AGA. The location of the termination cap must conform to the requirements in the Flue Terminal Locations diagram from the "Exterior Flue Termination Locations" section.

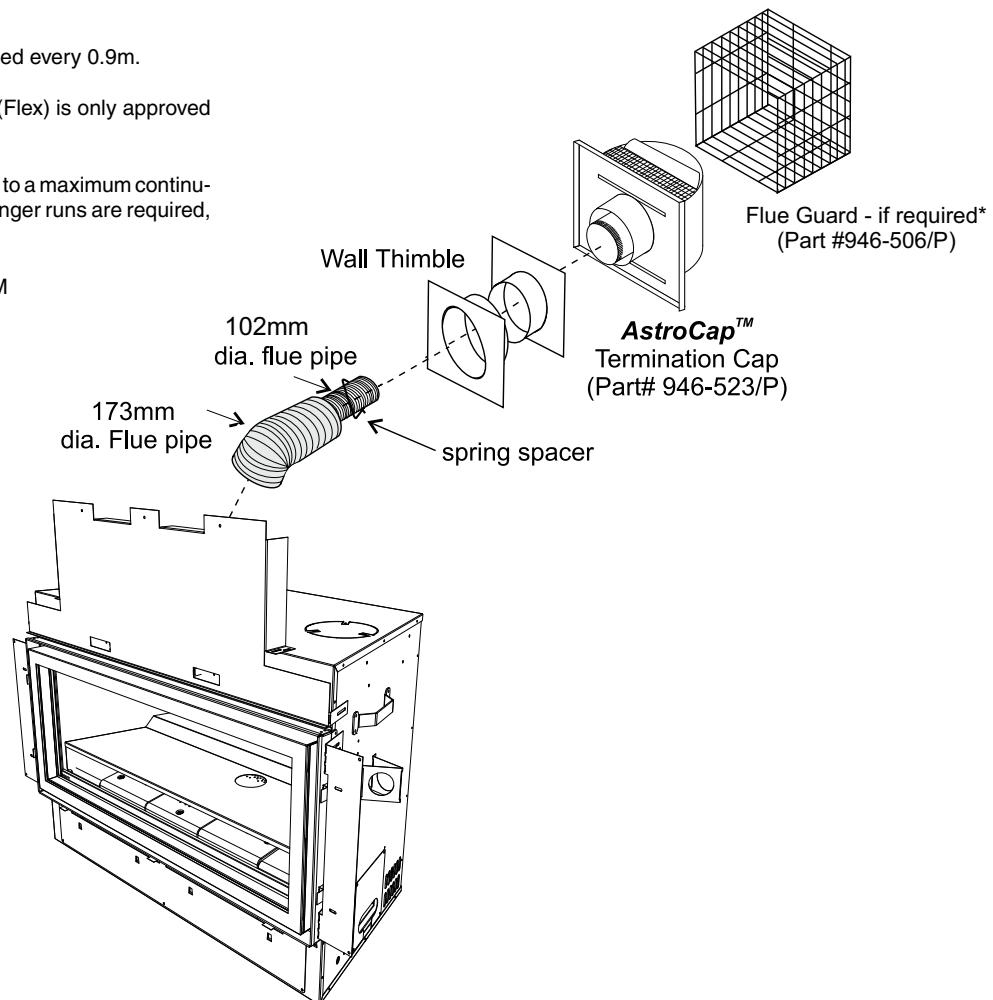
Regency® Direct Vent (Flex) System Termination Kits includes all the parts needed to install the GF900C using a flexible vent.

FPI Kit #	Length	Contains:
#946-515	1.2 m	1) 175mm flexible outer liner (Kit length) 2) 102mm flexible inner liner (Kit length) 3) spring spacers 4) thimble 5) AstroCap termination cap
#946-516	3 m	6) screws 7) tube of Mill Pac 8) plated screws 9) S.S. screws #8 x 1-1/2" drill point

Notes:

- Liner sections should be continuous without any joints or seams.
- Only Flex pipe purchased from Regency® may be used for Flex installations
- Horizontal flue must be supported every 0.9m.
- Regency® Direct Vent System (Flex) is only approved for horizontal terminations.
- Flex system can only be used up to a maximum continuous vent length of up to 3m. If longer runs are required, rigid pipe must be used.

NOTE: Maximum horizontal run: 3M



HORIZONTAL TERMINATIONS RIGID PIPE 102MM X 175MM

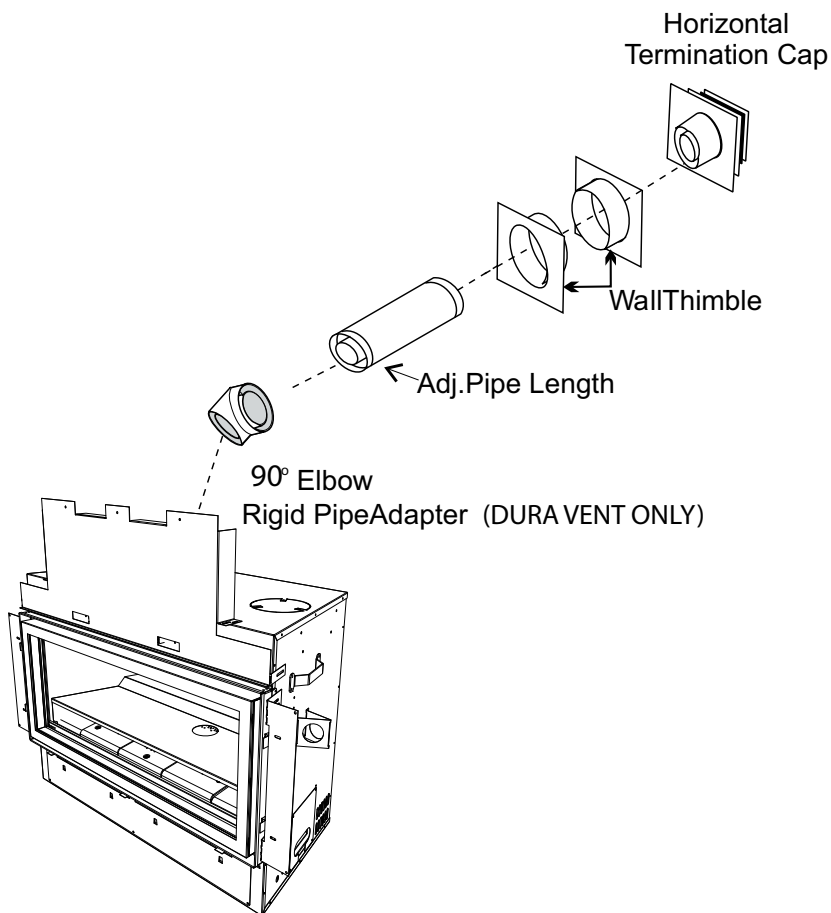
The minimum components required for a basic horizontal termination are:

- 1 Horizontal Termination Cap
- 1 90° Elbow
- 1 Rigid Pipe Adaptor (510-994)
- 1 Wall Thimble
- 1 Length of pipe to suit wall thickness
(see chart)

Wall thickness is measured from the back standoffs to the inside mounting surface of termination cap. For siding other than vinyl furring strips may be used, instead of the vinyl siding standoff, to create a level surface to mount the vent terminal. The Terminal must not be recessed into siding. Measure the wall thickness including furring strips.

If a Vinyl Siding Standoff is required (it must be used with vinyl siding), measure to outside surface of wall without siding and add 51mm.

Flat Wall Installation	
Wall Thickness (mm)	Vent Length Required (mm)
102mm-140mm	152mm
178mm-216mm	229mm
254mm-292mm	305mm
229mm-368mm	279mm-371mm Adj. Pipe
381mm-597mm	432mm-610mm Adj. Pipe



WARNING:

Do not combine flueing components from different flueing systems.

However use of the the AstroCap™ and FPI Riser is acceptable with all systems.

This product has been evaluated by Intertek for using a Rigid Pipe Adaptor in conjunction with Duravent Direct-Vent.

When using Rigid Flue other than Simpson Dura-Vent, 3 screws must be used to secure rigid pipe to adaptor.

The FPI AstroCap™ and Regency vertical cowls are certified for installations using FPI venting systems as well as Simpson Dura-Vent® Direct Vent. AstroCap™ is a proprietary trademark of FPI Fireplace Products International Ltd. Dura-Vent® and Direct Vent are registered and/or proprietary trademarks of Simpson Dura-Vent Co. Inc.

installation

HORIZONTAL TERMINATIONS

RIGID PIPE 4" X 6-5/8" (102MM X 175MM)

The diagrams below shows examples of horizontal termination arrangements using one 90° elbow.

- 1) A maximum of one 90° or two 45° elbows is permitted.
 - 2) Minimum distance between elbows is 305mm.
- Maintain clearances to combustibles as listed in the "Clearances" section.
 - Horizontal vent must be supported every 0.9m.
 - Must use optional rigid pipe adaptor (Part# 510-994) when using Duravent systems.
 - A vent guard should be used whenever the termination is lower than the specified minimum or as per local codes.
 - Flex system can only be used up to 3m - otherwise rigid flueing must be used.

Straight Out Horizontal Venting

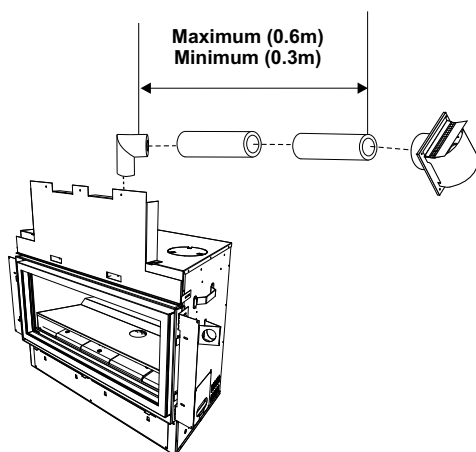
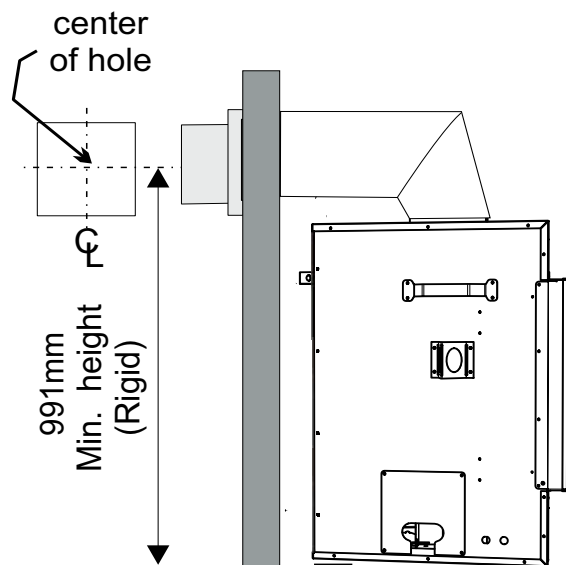


Diagram 1



Please note the minimum centerline for basic install shown above.

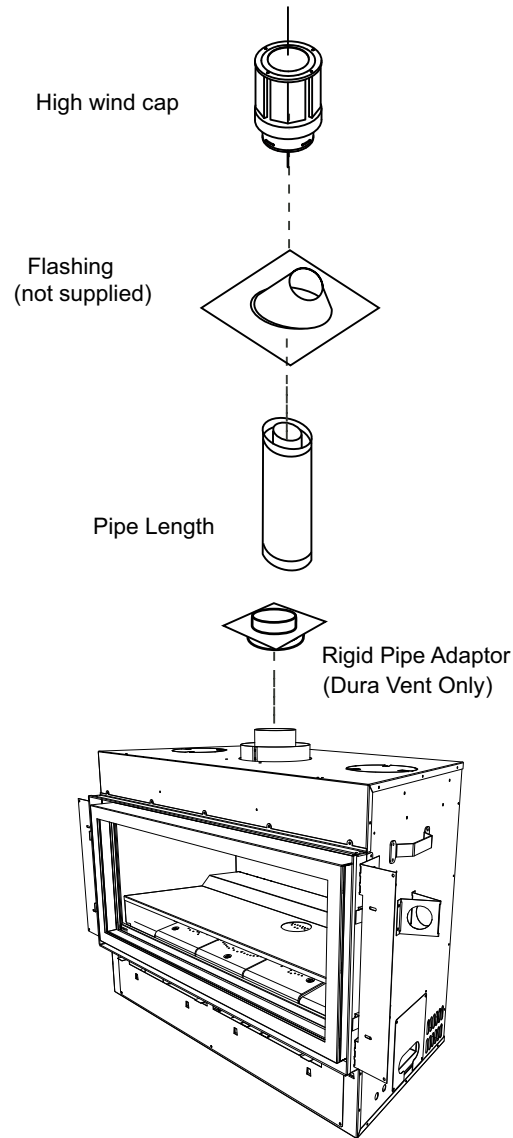
**VERTICAL TERMINATIONS
RIGID PIPE 102MM X 175MM**

The minimum components required for a basic vertical termination using Simpson Duravent Rigid Flue System are:

- 1 Vertical Termination Cap
- 1 Rigid Pipe Adaptor (510-994)
- 1 Flashing
- 1 Storm Collar
- 1 Length of pipe to suit height requirement (see chart)

Galvanized pipe is desirable above the roofline due to its higher corrosion resistance. Continue to add pipe sections through the flashing until the height of the vent cap meets the minimum height requirements specified in local codes. Note that for steep roof pitches, the vertical height must be increased. A poor draft, or down drafting can result from high wind conditions near big trees or adjoining roof lines, in these cases, increasing the vent height may solve the problem.

Roof Pitch	Minimum Flue Height
	Meters
flat to 30.26°	0.61
over 30.26° to 33.69°	0.61
over 33.69° to 36.37°	0.61
over 36.37° to 39.81°	0.76
over 39.81° to 42.51°	0.99
over 42.51° to 45.00°	1.22
over 45.00° to 49.40°	1.52
over 49.40° to 53.13°	1.83
over 53.13° to 56.31°	2.13
over 56.31° to 59.04°	2.29
over 59.04° to 60.26°	2.44



WARNING:

Do not combine venting components from different flueing systems.

However use of the the AstroCap™ and FPI Riser is acceptable with all systems.

This product has been evaluated by Intertek for using a Rigid Pipe Adaptor in conjunction with Duravent Direct-Vent. Use of these systems with the Rigid Pipe adaptor is deemed acceptable and does not affect the Intertek WHI listing of components.

When using Rigid Flue other than Simpson Dura-Vent, 3 screws must be used to secure rigid pipe to adaptor.

The FPI AstroCap™ and Regency vertical Cowl are certified for installations using FPI flueing systems as well as Simpson Dura-Vent® Direct Vent, is a proprietary trademark of FPI Fireplace Products International Ltd. Dura-Vent® and Direct Vent are registered and/or proprietary trademarks of Simpson Dura-Vent Co. Inc.

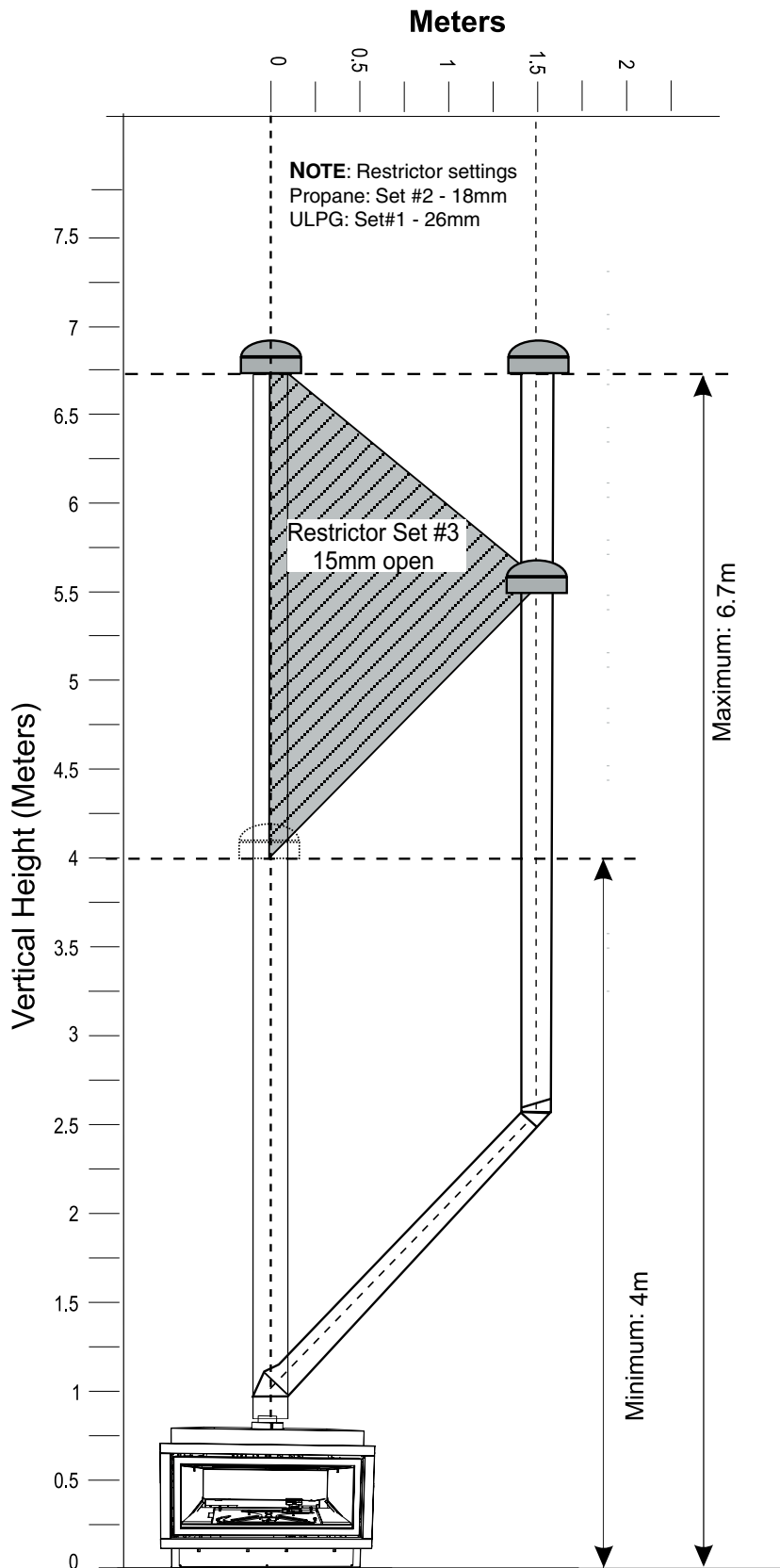
installation

FLUEING ARRANGEMENT FOR VERTICAL TERMINATIONS Vertical Flueing with One(1) 90° Elbows (1 - 90° = 2 - 45°)

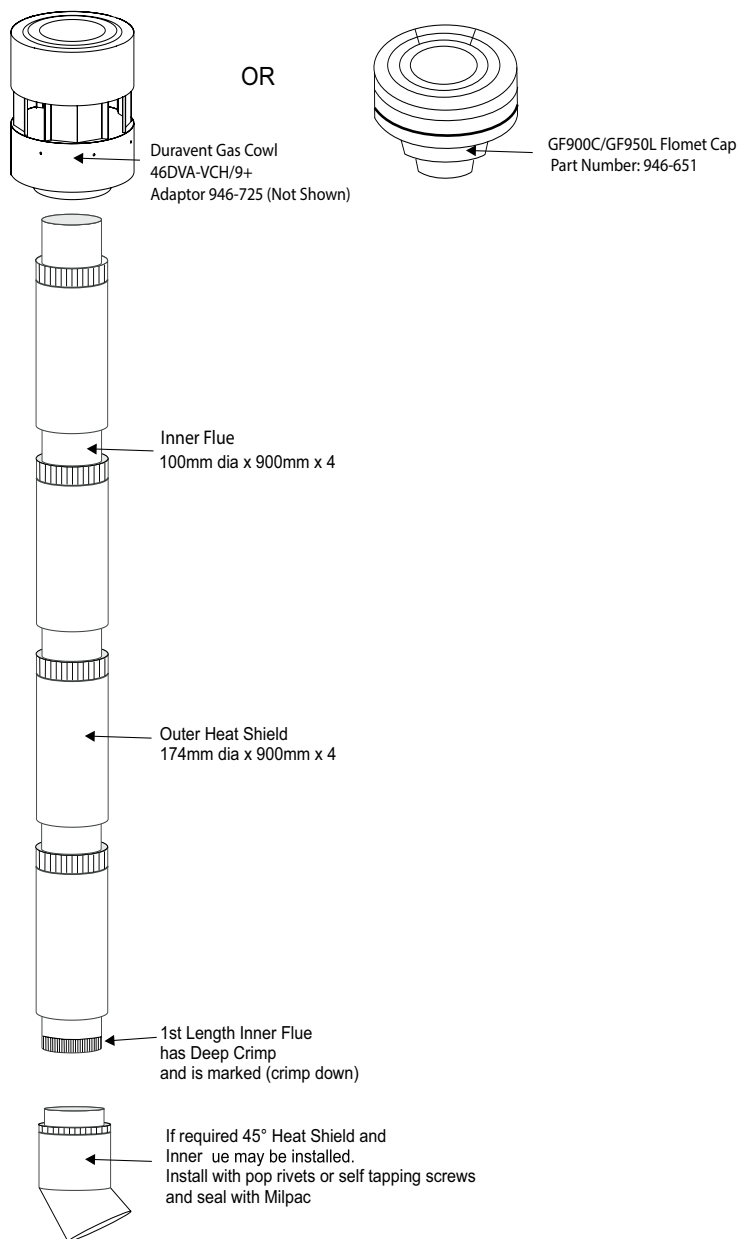
The shaded area in the diagram shows all allowable combinations of straight vertical and offset to vertical terminations, using two 45° elbow, with Rigid Pipe Flueing Systems.

- Flue must be supported at offsets.
- Maintain clearances to combustibles as listed in the "Clearances" section.
- Horizontal flue must be supported every 3 feet.
- Firestops are required at each floor level and whenever passing through a wall.
- Must use optional rigid pipe adaptor (Part# 510-994) when using rigid pipe flue systems.
- Refer to the "Flue Restrictor Position" section for details on how to change the flue restrictor from the factory setting of Set 0 to Set 1 or Set 2 if required.

"THIS UNIT MUST ALWAYS TERMINATE / FLUE DIRECTLY TO THE OUTDOORS."



DIRECT FLUE ZERO CLEARANCE TOP EXIT VERTICAL FLUE KIT INSTALLATION INSTRUCTIONS GF900C/GF950L



This flue kit has been manufactured for use with GF900L and to be installed in accordance with AS/NZS 5601. To ensure safety and correct unit operation this flue kit must be installed as outlined in these instructions. Heater and flue clearances from combustible materials must be in accordance with these instructions and AS/NZS 5601.

1. Locate the heater in its proposed position and mark the point for penetration directly above the centre of the heater flue outlet. Check the heater location allows the outer flue to clear all structural timber and combustible surfaces as per the manual.
2. If the enclosure consists of a ceiling – cut a 255mm square hole (minimum) for the flue to penetrate, cut hole through roofing material and prepare flashing for termination.
3. Starting at the heater, install first length of inner pipe, crimped end down, using Mill-Pac sealant and self-tapping screws (or rivets). Note – first length of inner pipe has a swage only.
4. Continue assembling flue pipes inner and outer, ensuring each inner joint is sealed using Mill-Pac sealant and self-tapping screws (or rivets). Outer flue pipe is to be installed with crimped end up then sealed and fixed together also.
5. If required, fix outer flue in the ceiling space using non-combustible bracing to stop movement. On penetration of roof, fit an appropriate flashing or weather seal to suit the roofing material, ensure all joints outside are sealed with appropriate sealer.
6. Fit gas cowl (46DVA-VCH/9) or flomet cap (946-651) ensuring inner and outer flue pipes are sealed.
7. Start heater and run for at least 15 minutes to check flue seal. If operational issues are noted, check flue again to ensure proper seal of inner pipe.

SUPPLIED Mill-Pac SEALANT MUST BE USED OR WARRANTY WILL BE VOID – IF REQUIRED, MORE SEALANT CAN BE PURCHASED USING PART NUMBER 948-128

Gas cowl part number 46DVA-VCH/9 or Flomet cap part number (946-651) (GF900Lonly).

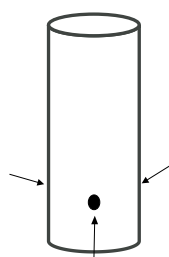
SCREWS SUPPLIED FOR INNER FLUE CONNECTION

45° bends (if required) part number 946-648 – **Note:** if bends are used at the start of flue run, a deeper crimp may be required at the unit for inner pipe fitment. Can be crimped on site and sealed with Mill-Pac sealant and self-tapping screws (or rivets).

Note – It is the installers responsibility to ensure the installation complies with AS/NZS 5601-2013 and all local and building codes.



Mill-Pac SEALANT
INNER FLUE



Screws

**NOTE:
USE A MINIMUM OF 3 SCREWS
EQUIDISTANT TO SECURE EVERY
INNER FLUE PIPE JOINT AS WELL
AS MILL-PAC SEALANT**

installation

UNIT INSTALLATION WITH HORIZONTAL TERMINATION 102MM X 175MM FLUEING (Rigid Flue Systems)

Minimum Flue Clearances to Combustibles

* Clearances noted below must be maintained; except when passing through a wall, ceiling or at the termination where the use of a firestop or wall thimble reduces clearance to 38mm.

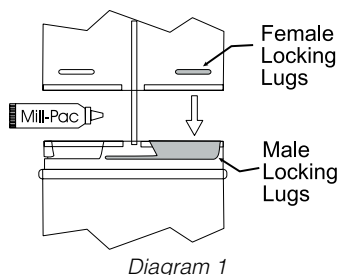
Horizontal Top*	76mm*
Horizontal Side	51mm
Horizontal Bottom	51mm
Vertical Vent	51mm

Below are the recommended framing dimensions (inside measurements) for the 102mm X 168mm rigid vent terminations - for use with a wall thimble.

Recommended Framed Opening Size	
Flue Size	Framing Size
102mm x 175mm	254mm x 254mm

Install the flue system according to the manufacturer's instructions included with the components.

- 1) Set the unit in its desired location. Check to determine if wall studs or roof rafters are in the way when the flueing system is attached. If this is the case, you may want to adjust the location of the unit. Rough in the gas preferably on the right side of the unit and the electrical (junction block is on the left side) on the left.
- 2) Simpson Dura Vent Flue pipe and fittings are designed with special twist-lock connections to connect the flueing system to the appliance flue outlet. A twist-lock appliance adaptor is required.
- 3) In conjunction with the Simpson Direct Vent Pro system, install the adaptor after the unit is set in its desired location. Put a bead of Mill Pac inside the outer section of the adapter and a bead of Mill Pac on the inner collar. Slip the adapter over the existing inner and outer flue collar. Fasten to the outer collar only with the 3 supplied screws (drilling pilot holes will make this easier).
- 4) Level the fireplace and fasten it to the framing using nails or screws through the top and side nailing strips.



- 5) Assemble the desired combination of pipe and elbows to the appliance flue outlets and secure.

Note: Forbestresultsandoptimumperformance with each approved venting system, it is highly recommended to apply "Mill-Pac" sealant to every inner pipe connection. Failure to do so may result in drafting or performance issues not covered under warranty.

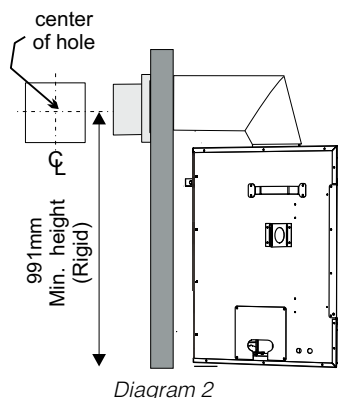
Horizontal runs of vent must be supported every 0.9 metre. Wall straps are available for this purpose.

- 6) Mark the wall for a square hole.-see chart to left for size. The center of the square hole should line up with the center-line of the horizontal pipe. Cut and frame the square hole in the exterior wall where the vent will be terminated. See diagram 2 for center line requirements.

If the wall being penetrated is constructed of non-combustible material, i.e. masonry block or concrete, a 203mm diameter hole is acceptable.

Note:

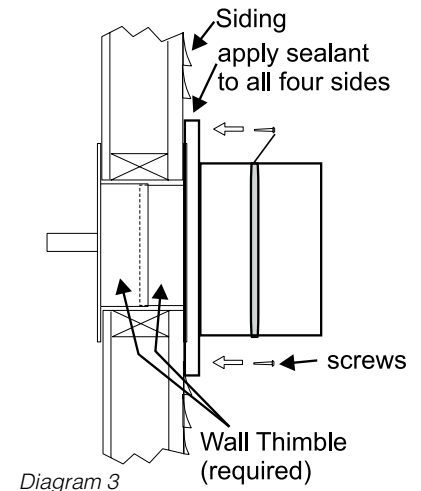
- a) The horizontal run of vent must have a 6mm rise for every 305mm of run towards the termination. Never allow the vent to run downward. This could cause high temperatures and may present the possibility of a fire.
- b) The location of the horizontal vent termination on an exterior wall must meet all local and national building codes.



"THIS UNIT MUST ALWAYS TERMINATE / FLUE DIRECTLY TO THE OUTDOORS."

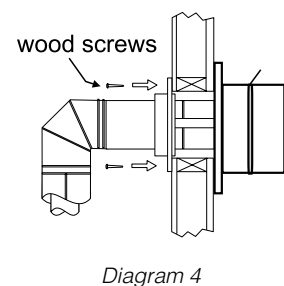
- 7) Ensure that the pipe clearances to combustible materials are maintained (Diagram 3). Install the termination cap.

Note: If installing termination on a siding covered wall, a siding standoff or furring strips must be used to ensure that the termination is not recessed into the siding.



The four wood screws provided should be replaced with appropriate fasteners for stucco, brick, concrete, or other types of sidings.

- 8) Before connecting the horizontal run of vent pipe to the vent termination, slide the Wall Thimble over the vent pipe. The wall thimble is required for all horizontal terminations.
- 9) Slide the appliance and vent assembly towards the wall carefully inserting the vent pipe into the vent cap assembly. It is important that the vent pipe extends into the vent cap sufficient distance so as to result in a minimum pipe overlap of 32mm. Secure the connection between the vent pipe and the vent cap.
- 10) Install wall thimble in the center of the framed hole and attach with wood screws (Diagram 4).



NOTE:
"NOT INTENDED FOR FIREPLACE INSERT. DO NOT INSTALL IN A FIREPLACE".

UNIT INSTALLATION WITH HORIZONTAL TERMINATION 102MM X 175MM FLUEING (Flex Flue Systems)

Minimum Flue Clearances to Combustibles

* Clearances noted below must be maintained; except when passing through a wall, ceiling or at the termination where the use of a firestop or wall thimble reduces clearance to 25mm.

Horizontal Top*	76mm*
Horizontal Side	51mm
Horizontal Bottom	51mm
Vertical Vent	51mm

Recommended Framed Opening Size	
Flue Size	Framing Size
102mm x 175mm	254mm x 254mm

- 1) Locate the unit in the framing, rough in the gas (preferably on the right side of the unit). Locate the centerline of the termination and mark wall accordingly. Cut an square hole in the wall - see chart (inside dimension).
- 2) Level the fireplace and fasten it to the framing using nails or screws through the nailing strips.
- 3) Assemble the flue assembly by applying Mill Pac to the inner flue collar of the termination and slipping the inner flex liner over it at least 35mm. Fasten with the 3 screws (drilling pilot holes will make this easier). Apply Mill Pac to the outer flex pipe and slip it over the outer flue collar of the vent terminal at least 35mm and fasten with the 3 screws.

NOTE: Horizontal sections must be supported at intervals not exceeding 0.9 meter. (Flame picture and performance will be affected by sags in the liner).

- 4) Separate the 2 halves of the wall thimble and securely fasten the one with the tabs to the outside wall making sure that the tabs are on top and bottom. Fasten the other thimble half to the inside wall. The thimble halves slip inside each other and can be adjusted for 51mmx102mm or 51mmx152mm.

- 5) Slip the assembled liner and termination assembly through the thimble making sure the termination cap faces up (there are markings on the cap indicating which way is up). This will position the termination cap with proper down slope for draining water. Fasten the cap to the outer wall with the 4 supplied screws.

- 6) Pull the centre inner and outer flex liner out enough to slip over the flue collars of the fireplace. (You may wish to cut the liner shorter to make it more workable.) Do not bend liner more than 90°. **The liners must slip over the collars a minimum of 35mm.**

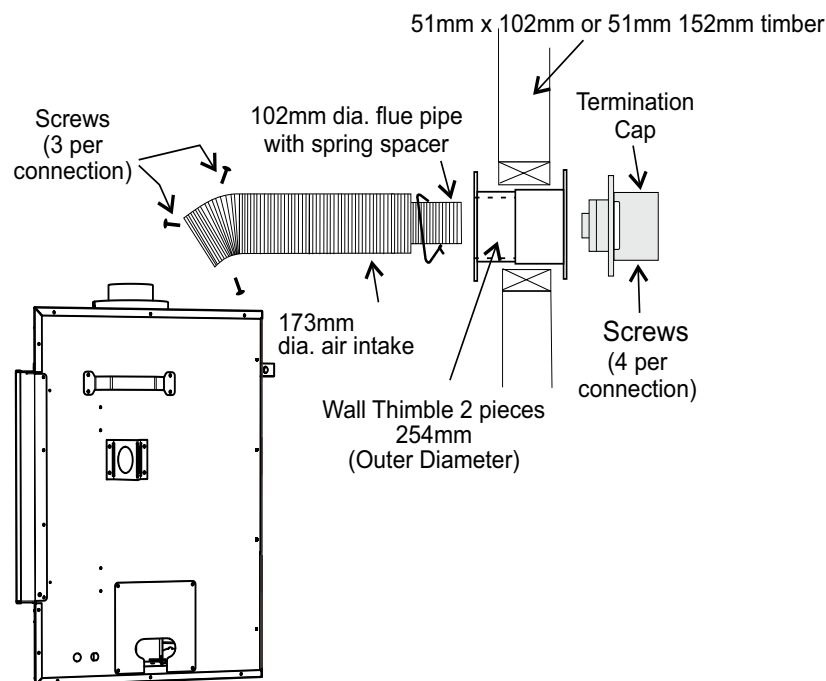
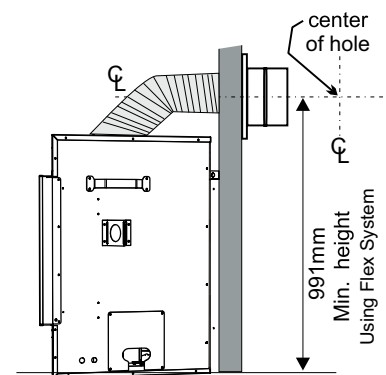
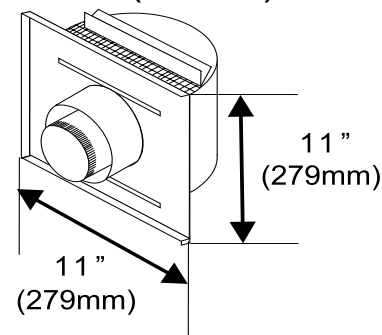
- 7) Apply Mill Pac over the fireplace inner flue collar and slip the inner flex liner down over it and attach with 3 supplied screws.

- 8) Do the same with the outer flue collar and outer flex liner.

- 9) Apply a bead of Mill-Pac between the thimble and termination and around the outer edge of the terminal at the wall in order to keep the water out.

IMPORTANT: Do not locate termination hood where excessive snow or ice buildup may occur. Be sure to check vent termination area after snow falls, and clear to prevent accidental blockage of venting system. When using snow blowers, make sure snow is not directed towards vent termination area.

ASTROCAP DIMENSIONS (946-523/P)



installation

UNIT INSTALLATION WITH VERTICAL TERMINATION 102MM X 175MM FLUEING (Rigid Flue Systems)

1. Maintain the 51mm clearances (air spaces) to combustibles when passing through ceilings, walls, roofs, enclosures, attic rafter, or other nearby combustible surfaces. Do not pack air spaces with insulation. Check "Flueing" Sections for the maximum vertical rise of the venting system and the maximum horizontal offset limitations.

2. Set the gas appliance in its desired location. Drop a plumb bob from the ceiling to the position of the appliance flue exit, and mark the location where the vent will penetrate the ceiling. Drill a small hole at this point. Next, drop a plumb bob from the roof to the hole previously drilled in the ceiling, and mark the spot where the vent will penetrate the roof.

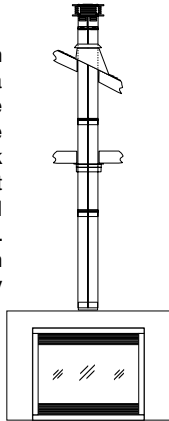


Diagram 1

3. Assemble the desired lengths of pipe and elbows. Ensure that all pipes and elbow connections are in the fully twist-locked position and sealed.

Note: All vertical terminations are vented using 102mm x 168mm venting and Simpson Duravent only.

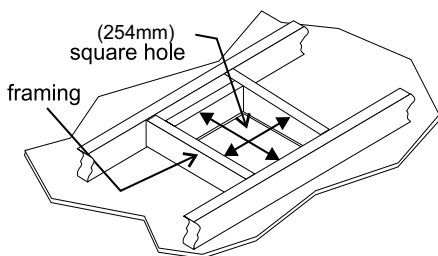
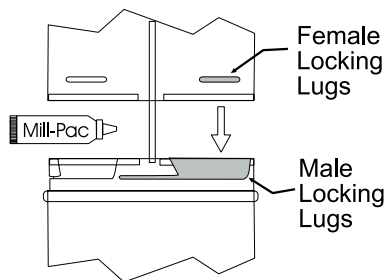


Diagram 2

4. Cut a hole in the roof centered on the small drilled hole placed in the roof in Step 2. The hole should be of sufficient size to meet the minimum requirements for clearance to combustibles of 38mm.



Note: For best results and optimum performance with each approved flueing system, "Mill-Pac" sealant to every inner pipe connection. Failure to do so may result in drafting or performance issues not covered under warranty.

5. Continue to assemble pipe lengths.

Note: If an offset is necessary in the attic to avoid obstructions, it is important to support the vent pipe every 0.9 metre, to avoid excessive stress on the elbows, and possible separation. Metal Wall straps can be used. Do not combine flueing components from other manufacturers.

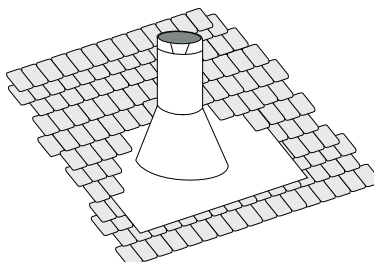


Diagram 3

Galvanized pipe is desirable above the roof space due to its higher corrosion resistance. Continue to add pipe sections through the flashing until the height of the flue cap meets the minimum height requirements specified in Dia. 4 or local codes. Note that for steep roof pitches, the vertical height must be increased. A poor draft, or down drafting can result from high wind conditions near big trees or adjoining roof lines, in these cases, increasing the flue height may solve the problem.

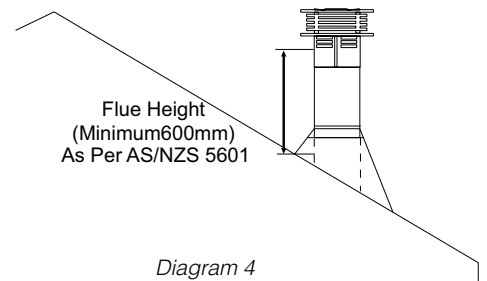


Diagram 4

Roof Pitch	Minimum Flue Height
	Meters
flat to 7/12	0.61
over 7/12 to 8/12	0.61
over 8/12 to 9/12	0.61
over 9/12 to 10/12	0.76
over 10/12 to 11/12	0.99
over 11/12 to 12/12	1.22
over 12/12 to 14/12	1.52
over 14/12 to 16/12	1.83
over 16/12 to 18/12	2.13
over 18/12 to 20/12	2.29
over 20/12 to 21/12	2.44

6. Ensure vent is vertical and secure the base of the flashing to the roof with roofing nails, slide storm collar over the pipe section and seal with a mastic.

7. Install the vertical termination cap.

Note: Any closets or storage spaces, which the vent passes through must be enclosed.

GF900C-NG2 SYSTEM DATA

Min. Supply Pressure	1.13 kPa
Low Setting Man. Pressure	0.4kPa
Max. Manifold Pressure	0.87 kPa
Injector Size	#37 DMS
Minimum Input	22.7 MJ/hr
Maximum Input	32 MJ/hr

GF900C-LP2 SYSTEM DATA

Min. Supply Pressure	2.75 kPa
Low Setting Man. Pressure	1.6 kPa
Max. Manifold Pressure	2.49 kPa
Injector Size	#53 DMS
Minimum Input	22.1 MJ/hr
Maximum Input	28 MJ/hr

GF900-ULPG2 SYSTEM DATA

Min. Supply Pressure	2.75 kPa
Low Setting Man. Pressure	1.6 kPa
Max. Manifold Pressure	2.49 kPa
Injector Size	#53 DMS
Minimum Input	22.1 MJ/hr
Maximum Input	28 MJ/hr

HIGH ELEVATION

This unit is approved for altitude 0 to 1372m.

GAS LINE INSTALLATION

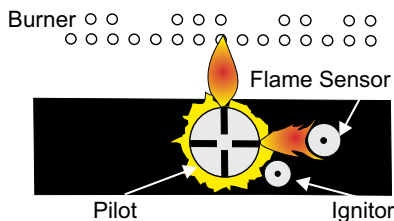
Since some municipalities have additional local codes it is always best to consult with your local authorities.

When using copper or flex connectors use only approved fittings. Always provide a union so that gas lines can be easily disconnected for servicing. Flare nuts for copper lines and flex connectors are usually considered to meet this requirement.

NOTE: A shutoff / dante valve should be supplied in or near the unit (or as per local codes) for ease of servicing this appliance.

PILOT ADJUSTMENT

Periodically check the pilot flames. Correct flame pattern has two strong blue flames: 1 flowing around the flame sensor and 1 flowing across the burner (it does not have to be touching the burner).



Note: If you have an incorrect flame pattern, contact your Regency® dealer for further instructions.

Incorrect flame pattern will have small, probably yellow flames, not coming into proper contact with the rear burner or flame sensor.

GAS PIPE PRESSURE TESTING

The appliance must be isolated from the gas supply piping system by closing its individual manual shut-off valve during any pressure testing of the gas supply piping system at test pressures equal to or less than 1/2 psig. (3.45 kPa). Disconnect piping from valve at pressures over 1/2 psig.

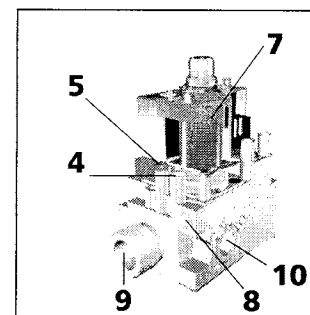
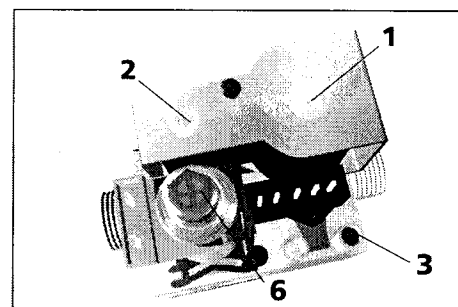
The manifold pressure is controlled by a regulator built into the gas control, and should be checked at the pressure test point.

Note: To properly check gas pressure, both inlet and manifold pressures should be checked using the valve pressure ports on the valve.

- 1) Make sure the unit is in the "OFF" position.
- 2) Loosen the "IN" and/or "OUT" pressure tap(s), turning counterclockwise with a 1/8" wide flat screwdriver.
- 3) Attach manometer to "IN" and/or "OUT" pressure tap(s) using a 5/16" ID hose.
- 4) Turn the unit on with the remote or wall switch
- 5) The pressure check should be carried out with the unit burning and the setting should be within the limits specified on the safety label.
- 6) When finished reading manometer, turn off the unit, disconnect the hose and tighten the screw (clockwise) with a 1/8" flat screwdriver. **Note: Screw should be snug, but do not over tighten.**

845 S.I.T. VALVE DESCRIPTION

- 1) On-Off Solenoid Valve EV1
- 2) On-Off Solenoid Valve EV2
- 3) Inlet Pressure Test Point
- 4) Outlet Pressure Test Point
- 5) Connection for Pressure Regulator/Combustion Chamber Compensation
- 6) Pressure Regulator for Minimum and Maximum Outlet Pressure
- 7) Gas Outlet Pressure Electric Modulator
- 8) Pilot Outlet
- 9) Main Gas Outlet



AERATION ADJUSTMENT

The burner aeration is factory set but may need adjusting due to either the local gas supply or altitude. Open the air shutter for a blue flame or close for a more yellow flame.

Minimum Air Shutter Opening:

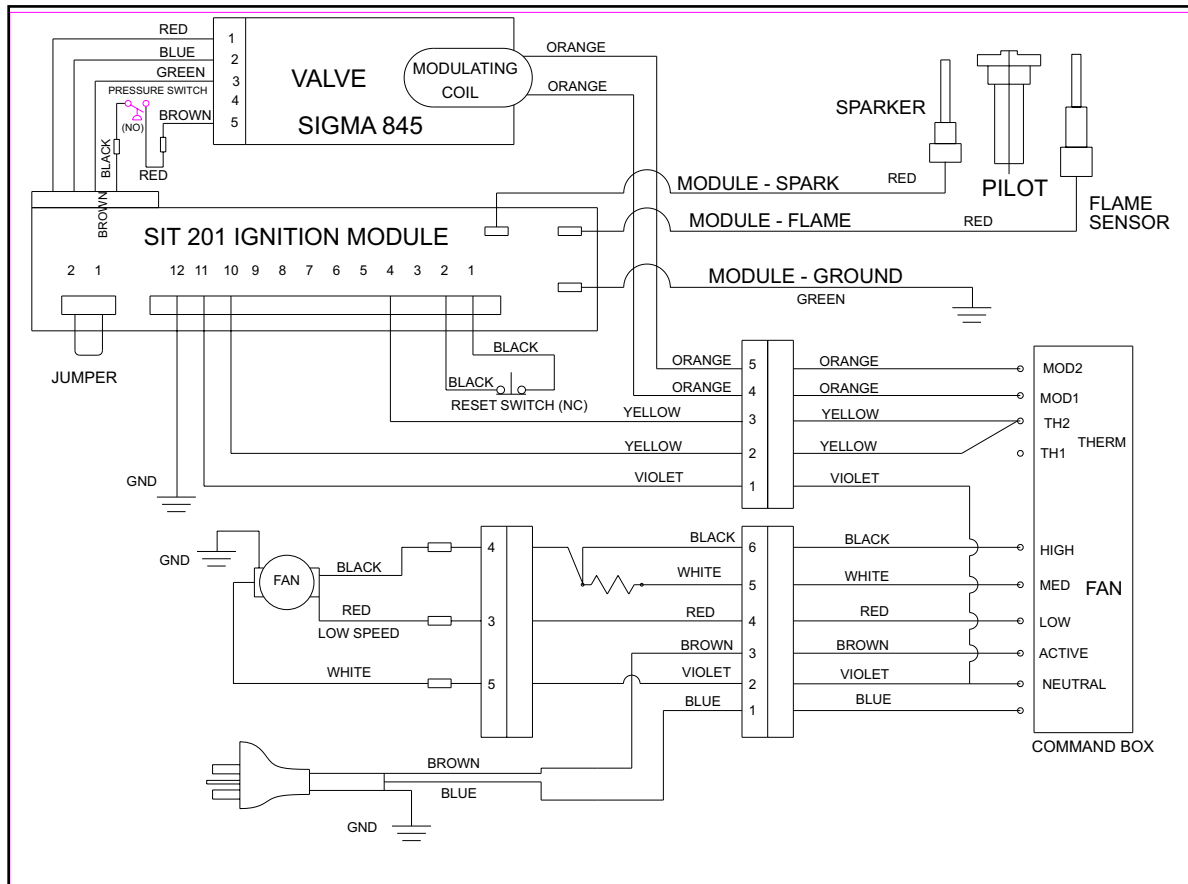
NG	3/8" (9.5mm)
Propane	Full Open
ULPG	Full Open

Note: Any damage due to carboning resulting from improperly setting the aeration controls is NOT covered under warranty.

installation

WIRING DIAGRAM

DISCONNECT POWER SUPPLY TO UNIT PRIOR TO WORKING ON ELECTRICAL COMPONENTS.



Caution: Ensure that the wires do not touch any hot surfaces and are away from sharp edges.

CAUTION: Label all wires prior to disconnection when servicing controls. Wiring errors can cause improper and dangerous operation.

CONVERSION KIT #468-967 FROM NG TO PROPANE/ULPG FOR GF900 USING SIT 845 NOVA GAS VALVE

**THIS CONVERSION MUST BE DONE BY A QUALIFIED GAS FITTER
IF IN DOUBT DO NOT DO THIS CONVERSION !!**

**Each Kit contains one Propane / ULPG
Conversion Kit**

GF900C Kit# 468-967

Qty.	Part #	Description
1	904-345	Burner Orifice #53
1	918-590	Decal "Converted to LP"
1	919-728	Orange Propane Label
1	918-272	Conversion to ULPG decal
1	904-529	5/32" Allen Key
1	910-037	Propane Injector
1	911-137	Pilot hood holding clip
1	919-727	Red ULPG label
1	920-039	Instruction Sheet

IT WOULD BE BENEFICIAL TO CONVERT THE APPLIANCE PRIOR TO THE UNIT BEING INSTALLED OR WALL FACING MATERIAL FITTED WHICH ALLOWS ACCESS TO THE BOTTOM PANEL.

PRIOR TO CONVERSION, ENSURE UNIT HAS COOLED TO ROOM TEMPERATURE, ALL POWER IS DISCONNECTED AND GAS SUPPLY IS TURNED OFF.

1. Remove faceplate, inner frame, glass door, front trim piece and inner panels- see instructions in this manual.
2. Remove glass crystals and stones, if installed.
3. Remove 3 screws in locations shown below to remove burner tray.

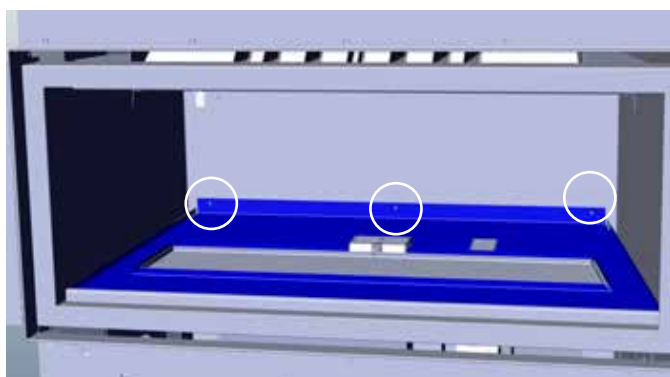


Diagram 1 - Burner Tray Screw Locations

4. Remove burner by removing 2 screws at the back of the burner in locations shown below.

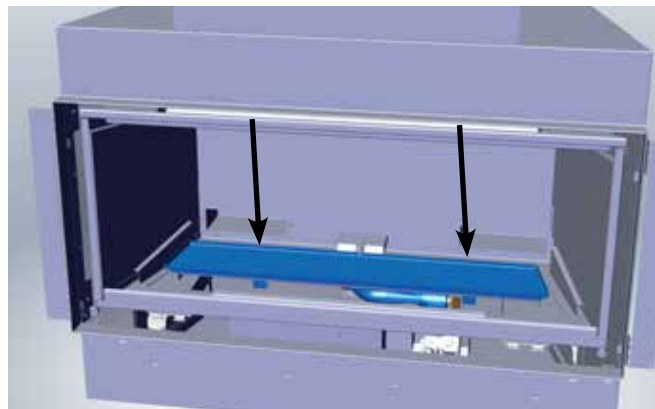


Diagram 2 - Burner Screw Locations

5. Pull off the pilot cap to expose the pilot orifice (see right).



Diagram 3 - Remove Pilot Cap

6. Unscrew the pilot orifice with the Allen key and replace with the propane pilot orifice in the kit and replace pilot cap (see right).



7. Remove burner orifice with a 12mm spanner and discard. Use another spanner to hold on to the elbow below the orifice.

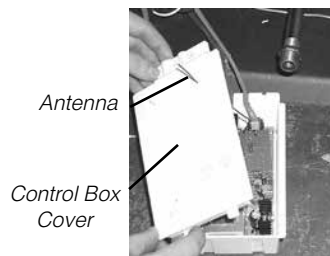


installation

8. Reinstall new burner orifice Propane stamped #53 or ULPG burner orifice stamped #53 and tighten.
9. Replace the black "NATURAL GAS" label with the orange "PROPANE" label or red for "UNIVERSAL LPG" label.
10. Carefully pull out the control box.

NOTE: The control box is held in place with velcro.

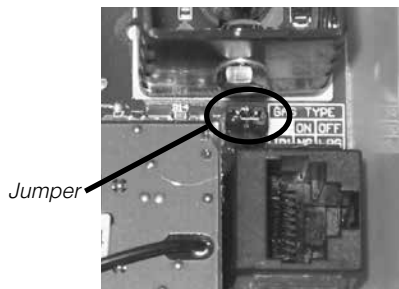
11. Remove the heat shield from the control box by removing the 2 screws.
12. Remove the control box cover by undoing the 3 screws. Manoeuvre through antenna.



13. Remove the jumper using pliers.



Jumper Location



14. Reverse steps 12-11.
15. Adjust the air shutter opening (See page 37 for Aeration Adjustment). Reverse steps 4-2 and 1.
16. Turn on gas supply and plug in power cord.

17. Adjusting the Outlet Pressure

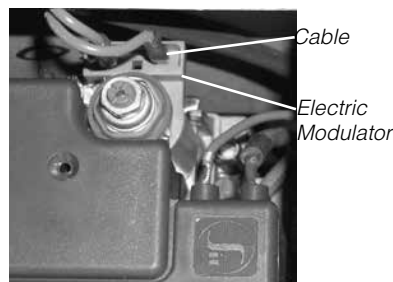
All the adjustments must be carried out in the following order:

Remove the modulator plastic cap (A) using needle nose pliers.

Maximum pressure: Turn the unit ON to its highest input rating. Screw in the nut (B) to increase the outlet pressure and screw it out to decrease it. Use a 10 mm wrench.

NOTE: The outlet pressure must be set to maximum 2.49 kPa.

Minimum pressure: Remove one of the cables connected to the electric modulator. While holding the nut (B) with a wrench, screw in the screw (C) to increase the pressure and screw it out to decrease it. Use a screwdriver 6 x 1 blade.

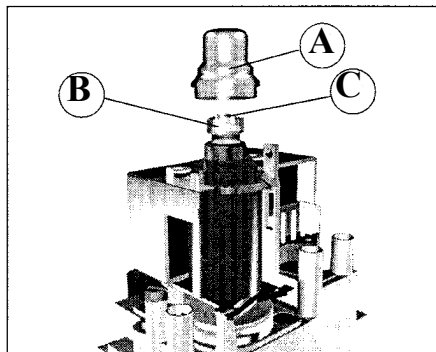


After carrying out all adjustments, block the setting screws with paint, taking care not to obstruct the breather orifice of the pressure.

Put back the modulator plastic cap.

WARNING: To ensure the correct operation of the modulator it is necessary that the plastic cap (A) is returned to its original location.

NOTE: The outlet pressure must be set to minimum 1.6 kPa.



18. Turn on gas supply and plug in power cord.
19. At the end of all setting and adjustment operations, check electrical installation and gas leaks.
20. Check operation of flame control.
21. Check for proper flame appearance and glow on logs.

Installer Notice:
These instructions must be left with the appliance.

OPTIONAL FAN DUCTING KIT INSTALLATION

LISTINGS AND CODE APPROVALS

This Fan Kit has been approved for use with GF950.

NOTE: ENERGY LABEL RATINGS DO NOT REFLECT INSTALL OF OPTIONAL FAN KIT.

Check with your local building code agency before you begin your installation to ensure compliance with local codes, including the need for "permits" and follow-up inspections. If any problems are encountered regarding code approvals, or if you wish clarification on any of the instructions contained here, contact your local dealer.

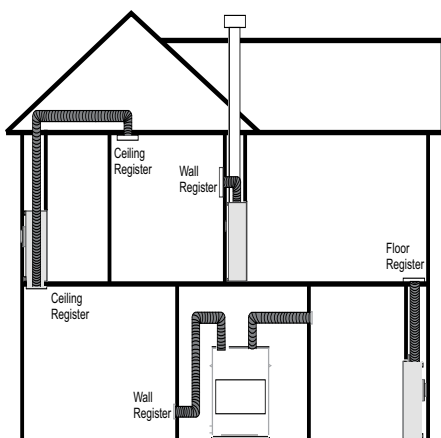


Diagram 1: Guide for possible air duct runs and locations. Keep duct length and number of bends to a minimum. Maximum duct length is 9.0m. The Extension Kit contains a maximum of up to 4.5m. Please purchase the Fan Duct Extension Kit to increase the 9.0m

Item No.	Description	No	Description
1	240V Fan Assembly	7	Aluminum Flex 4.5m
2	Duct Flange-Fan		
3	Adapter Round to Oval	8	Duct Flange-Stove
4	Angle Bracket	9	Sidewall Grille
5	Junction Box	10	Connector Clamp
6	Wall Adapter Plate		

NOTE: The fan kit (946-591) does not contain any ducting. The optional extension duct kit (7 in the noted table) is 4.5 metres in length and its part number is 946-596.

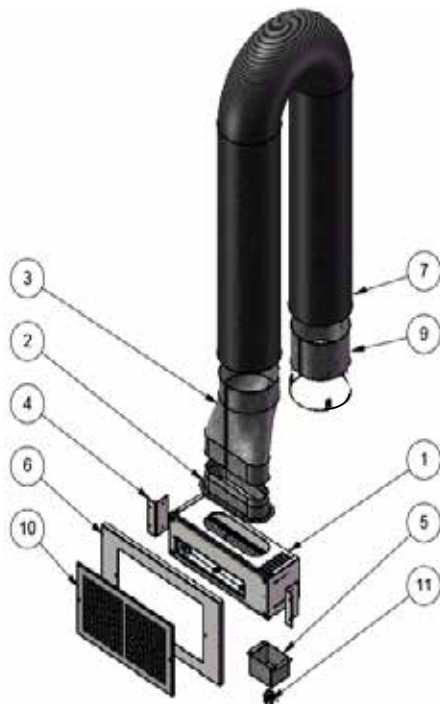
GENERAL INFORMATION

The Fan Kit increases the effectiveness of your fireplace by dispersing warm air from the fireplace to remote locations in the same room or other rooms in your home.

Up to two kits may be installed on the fireplace.

Important Installation Notes

1. The appliance installation must conform with local codes and installation codes.
2. The appliance when installed, must be electrically grounded in accordance with local codes.
3. This kit is tested and safe when installed in accordance with this installation manual. Please read all instructions before starting installation and follow all instructions carefully during installation.
4. Installation of this kit must be performed by a qualified service technician.
5. The Fan Kit must be installed only as specified. Any modifications of the kit or components will void the warranty and may cause a fire hazard.
6. Plan the location of the fireplace and the warm air duct runs, see diagram 1 as a guide for possible duct runs and locations.



Maximum Duct Run: 9.0m
Kit Contains 4.5m

If you require more than 4.5m please purchase Fan Duct Extension Kit.

NOTE: Airflow through the duct system is affected by the duct length and number of bends. Keep the length and bends to a minimum to maximize performance.

MINIMUM FRAMING CLEARANCES

* Wall studs must be 407mm on center for mounting fan housing.

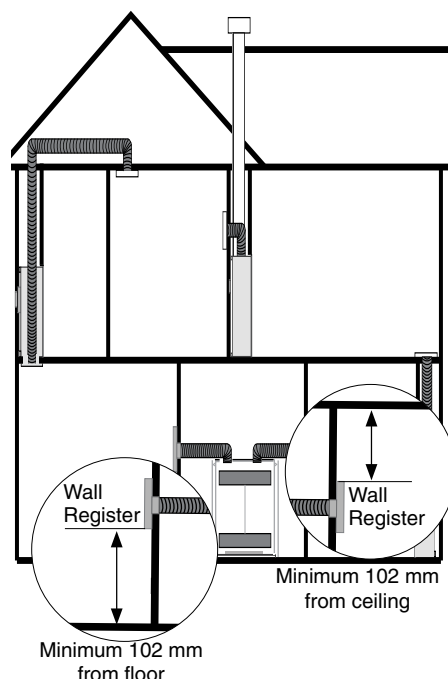
* Fan Housing: Maintain a 6mm clearance from fan housing to combustible material.

* Wall Registers must be 102mm above floor and /or 102mm below ceiling.

1. Determine the location of the air register/fan housing assembly. Cut a 121mm x 406mm hole between framing members (wall studs or floor joists). Maintain a 6mm clearance from fan housing to combustible material. See Framing Clearances section.

MINIMUM FAN DUCT CLEARANCES

The fan ducting requires a minimum of 25mm clearance to combustibles.

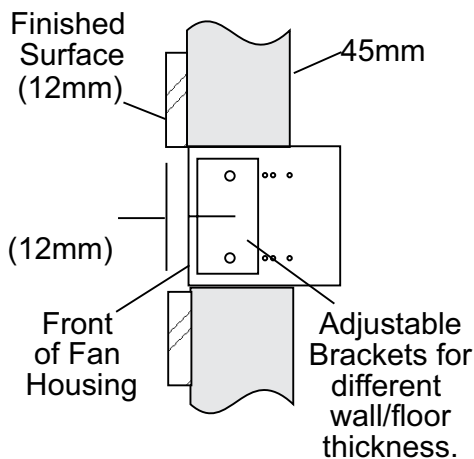
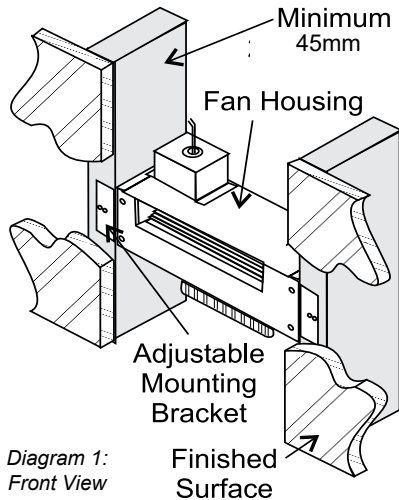


installation

OPTIONAL FAN KIT INSTALLATION

NOTE: Installation of Fan Kit should be done prior to installation of the wall.

2. Mount and secure the fan housing assembly to framing members, the front of the fan housing will protrude 12.7mm out of the wall so it may be finished with drywall, etc. See diagram 2
3. Install the air duct run. Secure the duct to the duct collar on the unit and the fan housing with 3 screws per end and aluminum duct tape.



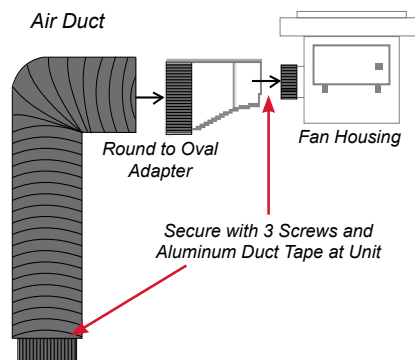
Round Air Duct: Attach the 152.4mm round air duct (supplied) to the fireplace collar and run the duct to the fan housing. Attach the round-to-oval adapter to the fan housing and the air duct to the adapter.

4. Install the On/Off switch in a convenient location. This switch controls the fan operation.

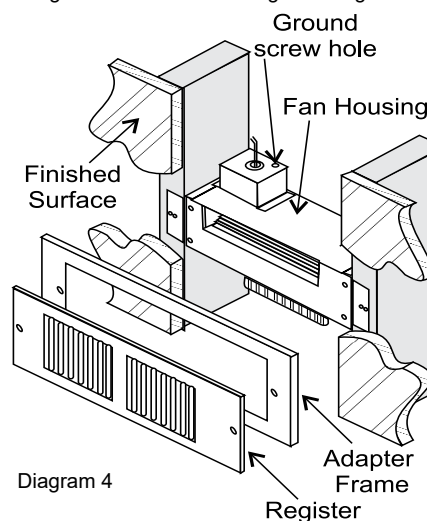
NOTE: Variable speed or Rotary 3 speed switch can be fitted.

5. Wire up the fan, wall switch and power supply per local codes. See wiring diagram as reference. *Electrician to supply wiring.

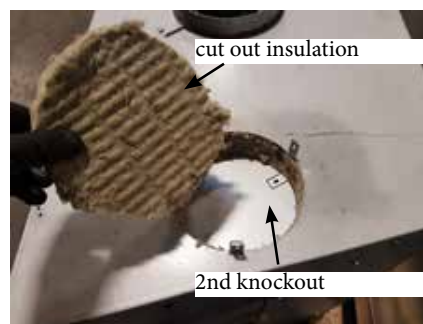
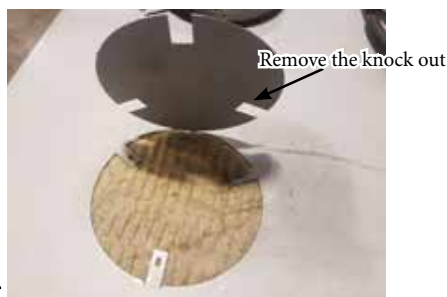
6. Screw fan junction box to the fan housing.



7. Screw the Register Adapter Frame and the Air Register to the Fan Housing See diagram 4.

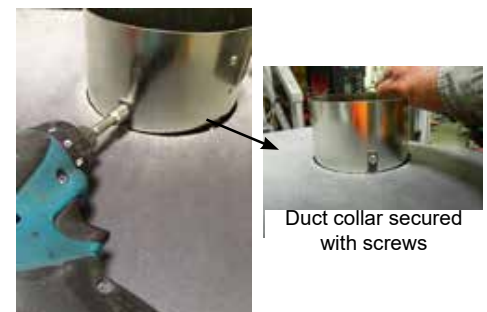
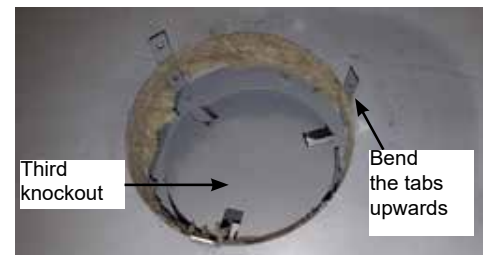


8. Remove the knock out on the top of the unit. Cut out the insulation. Remove the second and third knock out, both are below the top knockout.



Remove the 2nd knock out

9. On the top of the unit, bend the 3 tabs up. Insert the Duct collar. Secure the collar to the 3 tabs with screws.



10. Attach fan duct to the unit. Slide the ducting over the collar and secure with screws.



11. Final step--double check the fan ducting connections at both the unit and fan. Ensure there is a minimum of **25mm clearance to combustibles**. Strap and secure the fan duct. Double check the operation of the fan and all electrical work is completed.

FAN DUCT EXTENSION KIT INSTALLATION

In order to use the fan extension duct kit, you must have fan kit. This kit allows you to extend the fan duct to 9m.

1. Attach the connecting collar to the duct that came with the duct kit. Use the screws provided.

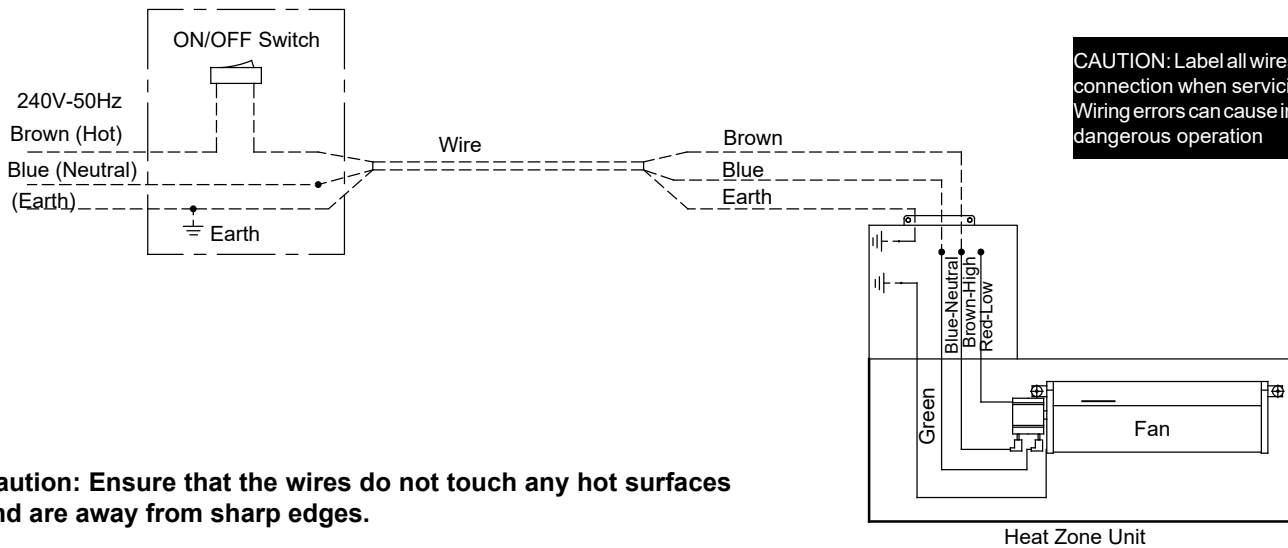


2. Attach the 4.5m duct within this kit to the connecting collar on the opposite end with the screws provided. Extend the flex to the desired length.



WIRING DIAGRAM

On/Off Switch



CAUTION: Label all wires prior to disconnection when servicing controls. Wiring errors can cause improper and dangerous operation

Caution: Ensure that the wires do not touch any hot surfaces and are away from sharp edges.

Alternate Switches: May use the following. Check with local authorities and electrician.
 CLIPSAL 203 2E45 OUD - Dimmer
 CLIPSAL 2031 VF3CSF - 3 Speed

installation

GLASS CRYSTALS AND VOLCANIC STONES INSTALLATION ON BURNER AND FIREBOX FLOOR

Spread the Glass Crystals and optional Volcanic Stones evenly over the burner.
For Propane Burners - DO NOT place volcanic stones on burner assembly.

IMPORTANT NOTE:

Only the supplied approved Glass Crystals and Volcanic Stones are to be used with these fireplaces. Use of any other type of glass crystals or stones can alter the unit's performance, any damage caused by the use of any unapproved glass or stones will not be covered under warranty.

When using Stones DO NOT cover burner ports or pilot light that lead to pilot flame.
For proper flame effect - ensure crystals or stones are spread evenly over the burner.

1. PLACEMENT OF GLASS CRYSTALS:



1) Start installing Crystals on the Burner (NG, Propane, ULPG)

2) Distribute Crystals evenly starting from back of Firebox Floor

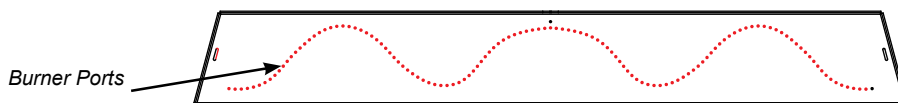


3) Work Crystals from back to front edge of Firebox Floor

4) Ensure Crystals **DO NOT** block the front of the pilot hood and flame to light the burner

NOTE: Correct final glass installation of Crystals shown in step 3 and 4
The Burner and Firebox Floor should not be visible when the flame is out.

2. PLACEMENT OF VOLCANIC STONES AROUND BURNER - NG UNIT



IMPORTANT: DO NOT COVER BURNER PORTS WITH VOLCANIC STONES

* Unit is supplied with 32 volcanic stones



NOTE: Volcanic Stones are **NOT** to be placed anywhere on the burner ports or Pilot assembly area.

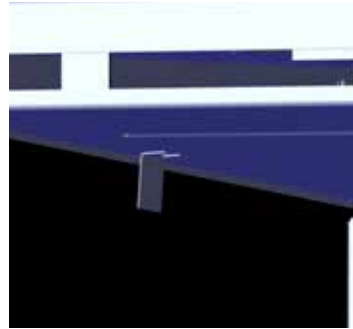
2a. VOLCANIC STONES INSTALLATION AROUND BURNER- PROPANE UNIT



NOTE: Volcanic Stones are **NOT** to be placed anywhere on the burner or Pilot assembly area on Propane Units.
Ensure air gap around burner is not obstructed by the placement of the stones.

INNER PANEL REMOVAL / INSTALLATION

1. Remove front trim piece - see instructions above.
2. Remove two (2) screws to remove the panel clips and release back panel, lift panel up and out to remove.



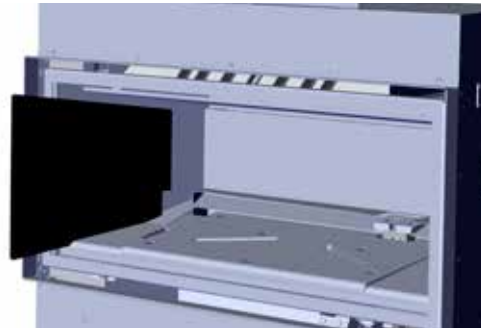
Panel Clip

3. Remove two (2) screws in locations shown below to release panel clips.
4. Remove 3 screws in locations shown below to remove burner tray.



*Panel Clip and Burner Tray
Screw Locations*

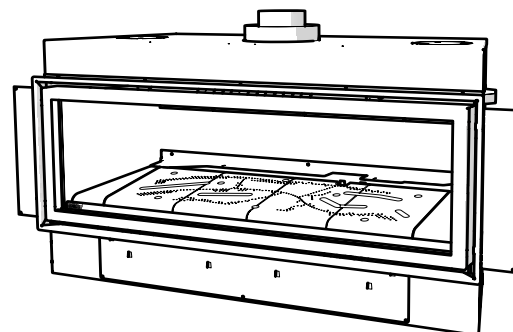
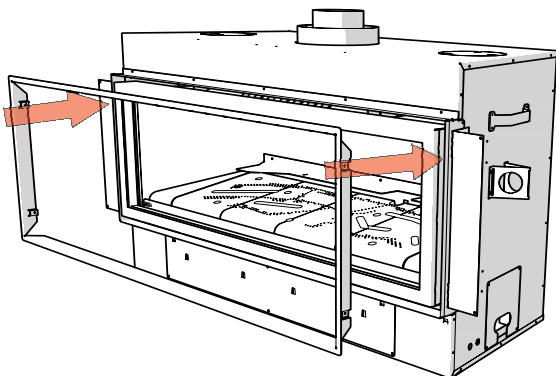
4. Remove panels by sliding out.



5. Reverse steps to reinstall.

OPTIONAL FINISHING TRIM INSTALLATION

1. Install the optional finishing trim by lining up trim with the outside of the fascia. Press trim inward firmly to seat onto the unit.



Finishing Trim Installed

installation

FACEPLATE AND DEFLECTOR INSTALLATION

1. Install the fascia to the unit by hooking the left and right side mounting brackets into the mounting slots at the side of the firebox as shown below.

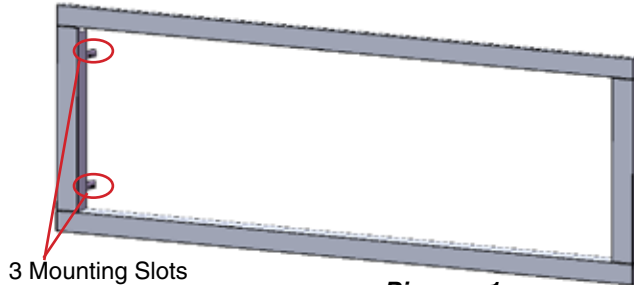
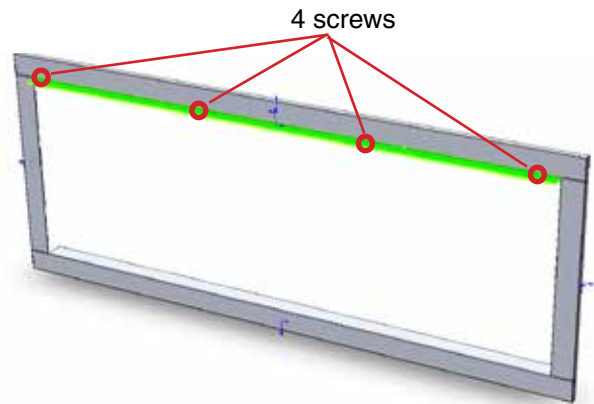


Diagram 1



NOTE: When installing the stainless steel fascia, gloves should be worn to prevent finger prints.

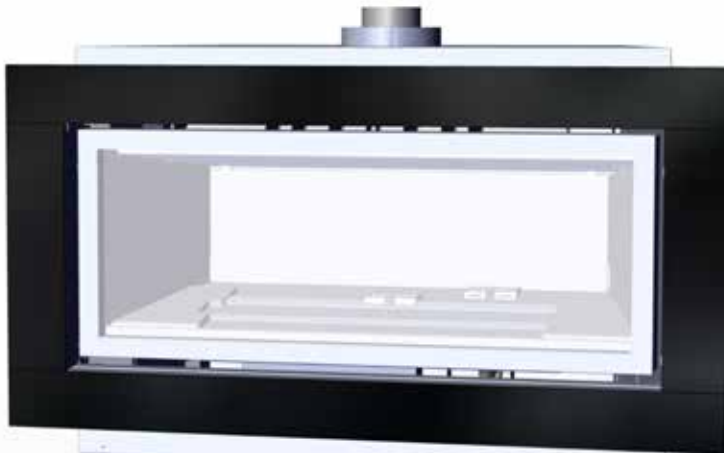
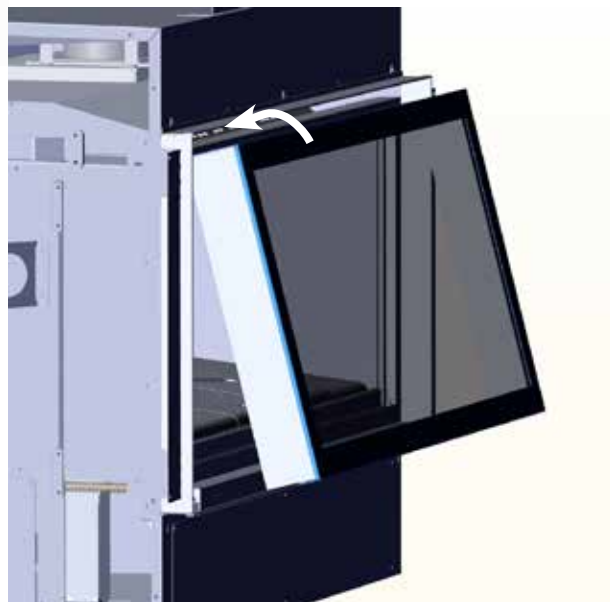


Diagram 2



3. Hook the inner door frame to the unit. Refer to next page "Screen and Inner Door Frame Installation" prior to installing it on to the unit.



NOTE: There are 3 mounting slots available, this is to accommodate any finishing that protrudes slightly beyond the faceplate. It is recommended that you use the first mounting slot (the one closest to the door frame overlay) out of the 3 so that the faceplate and door frame overlay are flush with one another. See diagram 2.

2. Install deflector by using 4 screws provided to the **underside** of the fascia as shown in Diagram 3 and 4.

(GF900L shown in the pictures)

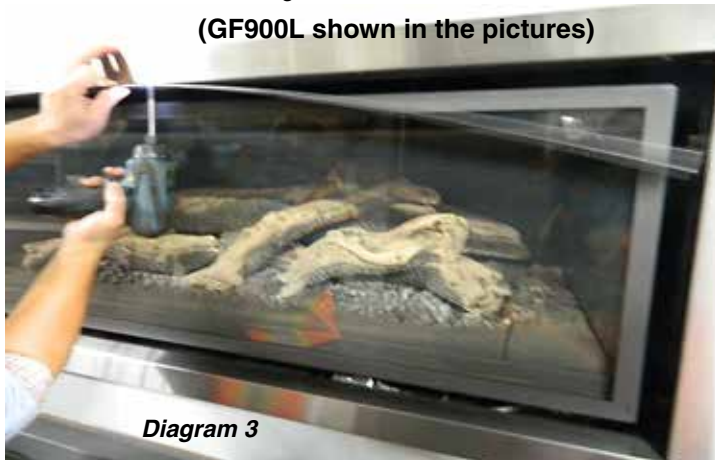


Diagram 3

4. Remove any finger prints/ marks prior to operating the unit.

WARNING: Turn off the unit by way of the wall switch or remote. Allow unit to cool at least 10 min. - prior to removing the faceplate.

SCREEN & INNER DOOR FRAME INSTALLATION

1. Hang Screen Mesh over Inner Door Frame as shown in Diagram 1.

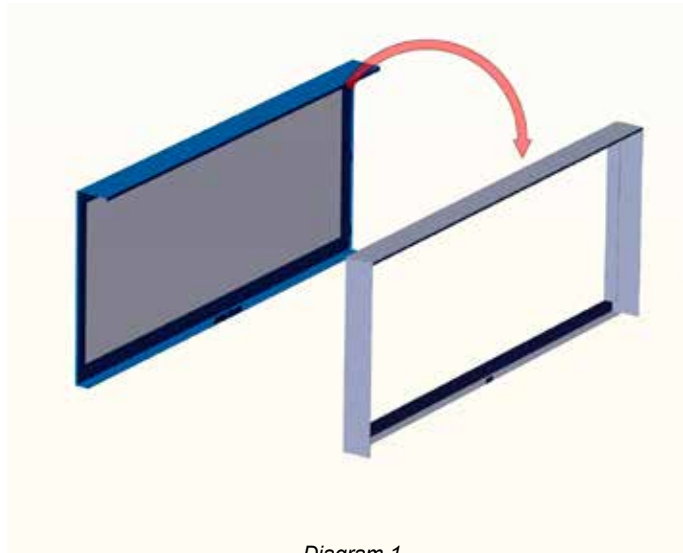


Diagram 1

2. Bend Tab on Screen Mesh to 90° as shown in Diagram 2. Secure to Inner Door Frame with one (1) screw as shown in Diagram 2a.

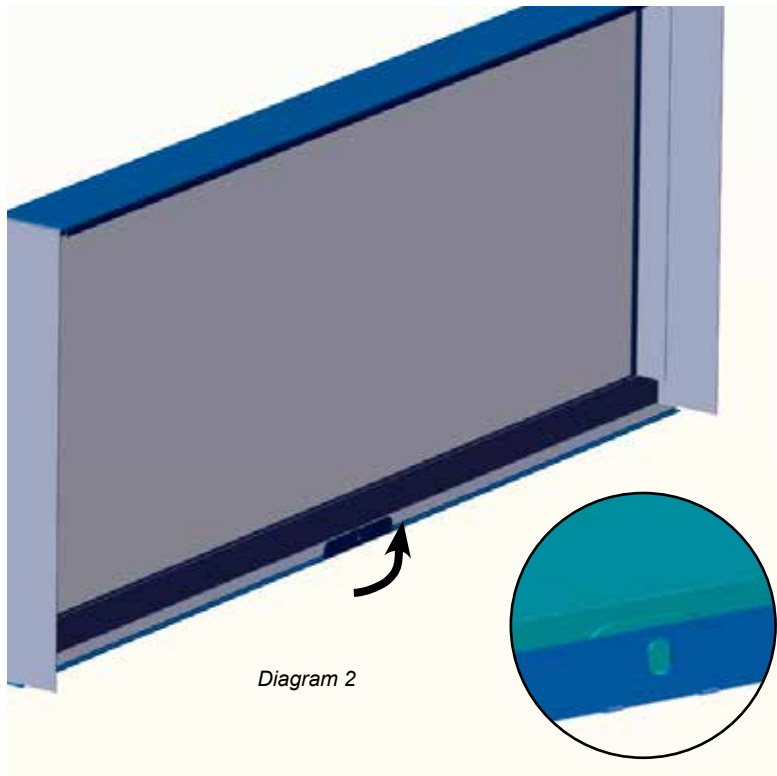


Diagram 2

Diagram 2a

3. Install Screen and Inner Door Frame to unit but hanging over glass door frame as shown in Diagram 3. Lower gently once in position over glass door frame.

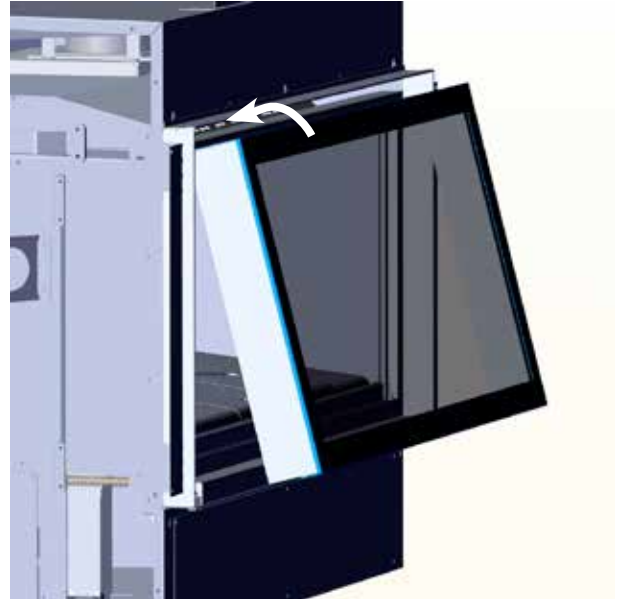


Diagram 3

operating instructions

OPERATING INSTRUCTIONS

Before operating this appliance, proceed through the following check list.

- 1) Read and understand these Instructions before operating this appliance.
- 2) Check to see that all wiring is correct and enclosed to preclude possible shock.
- 3) Check to ensure there are no gas leaks.
- 4) Make sure the glass door is in place. Never operate the appliance with the door glass removed.
- 5) Verify that all flueing and the cap is unobstructed.
- 6) Verify log placement.
- 7) The unit should never be turned off and on again without a minimum of a 60 second wait.
- 8) When lighting the appliance, the inside of the glass may fog up. This will burn off after a few minutes of operation.

LIGHTING INSTRUCTIONS

- 1) Plug the power cord into a power outlet.
- 2) There is a black, manual, ON/OFF button located in the bottom left-hand corner of the unit. This button can be used if there is no remote control. The flame / fan patterns cannot be changed when using this button.
- 3) After approximately 3 seconds the spark ignition system will spark for 25 seconds to light the main burner.
- 4) If the main burner does not light, repeat step 2 to restart the unit.

SHUTDOWN INSTRUCTIONS

- 1) Press the ON/OFF switch once.
- 2) Turn off all electric power to the appliance if service is to be performed.

FIRST FIRE

The **FIRST FIRE** in your heater is part of the paint curing process. To ensure that the paint is properly cured, it is recommended that you burn your fireplace for at least four (4) hours the first time you use it.

When first operated, the unit will release an odour caused by the curing of the paint and the burning off of any oils remaining from manufacturing. Smoke detectors in the house may go off at this time. Open a few windows to ventilate the room for a couple of hours. The glass may require cleaning.

NOTE: The main burner will always start on "HIGH" and resume it's last setting after 20 seconds of operation.

NOTE: When the glass is cold and the appliance is lit, it may cause condensation and fog the glass. This condensation is normal and will disappear in a few minutes as the glass heats up.

DO NOT ATTEMPT TO CLEAN THE GLASS WHILE IT IS STILL HOT!

DO NOT BURN THE APPLIANCE WITHOUT THE GLASS FRONT IN PLACE.

REMOTE CONTROL

Use the Regency Remote Control Kit approved for this unit. Use of other systems may void your warranty.

The remote control kit comes with a hand held transmitter and a wall mounting plate.

- 1) Choose a convenient location to mount the hand held transmitter, protection from extreme heat is very important.

By using the wall mounting plate to house the transmitter, the remote can also be used as a wall thermostat.



SUMMARY OF CONTROLS

On/Off Button

If the unit is switched off, pressing and releasing this button once will switch the unit on. The unit will resume its last settings.

If the unit is switched on, pressing and releasing this button once will switch the unit off.

Flame:

Increase - If the unit is switched on, pressing and releasing the flame plus (+) button once will increase the flame height to the next available high setting.

Decrease - If the unit is switched on, pressing and releasing the flame minus (-) button once will decrease the flame height to the next available low setting.

Fan:

Increase - If the unit is switched on, pressing and releasing the fan plus (+) button once will increase the fan speed to the next available high setting.

Decrease - If the unit is switched on, pressing and releasing the fan minus (-) button once will decrease the fan speed to the next available low setting.

Note: the fan will not completely turn off on this unit.

FAN OPERATION

Set the fan speed on the control panel at the top rear of the unit to adjust to the desired speed.

Pressing and releasing the plus (+) FAN button will change the fan speed as follows:

LOW -> MEDIUM -> HIGH -> .

Pressing and releasing the minus (-) FAN button will be the reverse of the above.

Fan must be running at all times when the unit is in operation.

ADJUSTING FLAME HEIGHT

There are six flame settings that can be adjusted by pressing and releasing the plus (+) and minus (-) FLAME button.

COPY OF LIGHTING PLATE INSTRUCTIONS

FOR YOUR SAFETY READ BEFORE LIGHTING

SUITABLE ONLY FOR INDOOR INSTALLATION

This appliance must be installed in accordance with local codes, if any; if not, follow the current AS/NZS 5601

WARNING: If you do not follow these instructions exactly, a fire or explosion may result causing property damage, personal injury or loss of life. Improper installation, adjustment, alteration, service or maintenance can cause injury or property damage. Refer to the owner's information manual provided with this appliance. For assistance or additional information consult a qualified installer, service agency or gas supplier.

A) BEFORE LIGHTING smell all around the appliance area for gas. Be sure to smell next to the floor because some gas is heavier than air and will settle on the floor.

WHAT TO DO IF YOU SMELL GAS

- Do not try to light any appliance
- Do not touch any electric switch, do not use any phone in your building
- Immediately call your gas supplier from a neighbors phone. Follow the gas supplier's instructions.
- If you cannot reach your gas supplier, call the fire department.

B) Do not use this appliance if any part has been under water. Immediately call a qualified service technician to inspect the appliance and to replace any part of the control system and any gas control which has been under water.

This appliance needs fresh air for safe operation and must be installed so there are provisions for adequate combustion and ventilation air.

CAUTION: Hot while in operation. Do not touch. Severe Burns may result. Due to high surface temperatures keep children, clothing and furniture, gasoline and other liquids having flammable vapors away. Keep burner and control compartment clean. See installation and operating instructions accompanying appliance.

LIGHTING INSTRUCTIONS

STOP! Read the safety information above on this label.

- 1) Plug the power cord into a power outlet.
- 2) Press and release the ON/OFF button once to start the unit.

*ON/OFF function may be controlled by either Remote Wall Mount Control or ON/OFF control on the Unit.

- 3) After approximately 3 seconds the spark ignition system will spark for 25 seconds to light the main burner.
- 4) If the main burner does not light, check the gas and reset the unit.

TO TURN OFF GAS APPLIANCE

- 1) Press the ON/OFF button once.
- 2) Turn off all electric power to the unit if service is to be performed.

DO NOT REMOVE THIS INSTRUCTION PLATE 919-1306

NORMAL OPERATING SOUNDS OF GAS APPLIANCES

It is possible that you will hear some sounds from your gas appliance. This is perfectly normal due to the fact that there are various gauges and types of steel used within your appliance. Listed below are some examples. All are **normal operating sounds** and should not be considered as defects in your appliance.

Blower:

Regency gas appliances use high tech blowers to push heated air farther into the room. It is not unusual for the fan to make a "whirring" sound when ON. This sound will increase or decrease in volume depending on the speed setting of your fan speed control.

Burner Tray:

The burner tray is positioned directly under the burner tube(s) and logs and is made of a different gauge material from the rest of the firebox and body. Therefore, the varying thicknesses of steel will expand and contract at slightly different rates which can cause "ticking" and "cracking" sounds. You should also be aware that as there are temperature changes within the unit these sounds will likely re-occur. Again, this is normal for steel fireboxes.

Gas Control Valve:

As the gas control valve turns ON and OFF, a dull clicking sound may be audible, this is normal operation of a gas regulator or valve.

Unit Body/Firebox:

Different types and thicknesses of steel will expand and contract at different rates resulting in some "cracking" and "ticking" sounds will be heard throughout the cycling process.

RESETTING THE UNIT

If the appliance goes to 'lockout', the system will have to be reset by depressing the reset button - located on the right side of the unit by glass frame.

***Important:** Wait at least 5 min for any un-burned gas to clear before resetting the appliance.

- 1) Press and release the red manual reset button located on the right hand side of the unit below the inner door frame.
- 2) Wait for approximately 3 seconds - the pilot sparks can be heard and seen. It will take approximately 2 to 3 seconds for the flame to be lit.

NOTE: Wait 5 minutes between reset attempts.

NOTE: If unit fails to light after 25 seconds; wait 5 min, then manually reset using red button on the right hand side below glass frame.

WARNING:
DO NOT USE OR STORE FLAMMABLE MATERIALS IN OR NEAR THIS APPLIANCE.

WARNING:
DO NOT PLACE ARTICLES ON OR AGAINST THIS APPLIANCE.

WARNING:
DO NOT MODIFY THIS APPLIANCE.

WARNING:
DO NOT SPRAY AEROSOLS IN THE VICINITY OF THIS APPLIANCE WHILE IN OPERATION.



"Appliances incorporating a live fuel effect (designed to operate with blue flames with slight yellow tips) may exhibit slight carbon deposition."

maintenance

FAN SERVICE

PRIOR TO SERVICING THE FAN, ENSURE UNIT HAS COOLED TO ROOM TEMPERATURE, ALL POWER IS DISCONNECTED AND GAS SUPPLY IT TURNED OFF.

1. Remove faceplate, inner frame, glass door, and inner panels - see instructions in this manual.
2. Remove crystals and stones if installed.
3. Remove burner tray by removing 3 screws shown in Diagram 1.

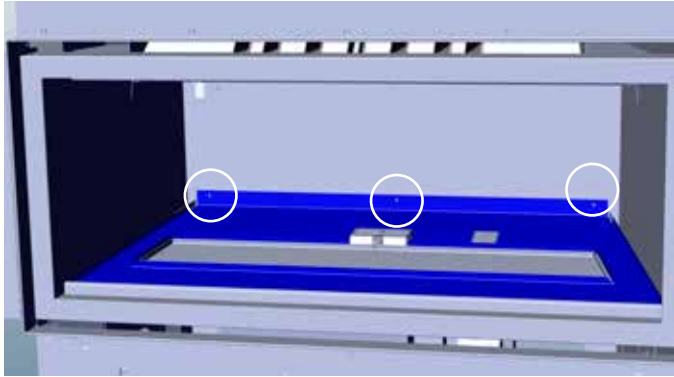


Diagram 1 - Burner Tray Screw Locations

4. Remove burner by removing 2 screws in locations shown below.

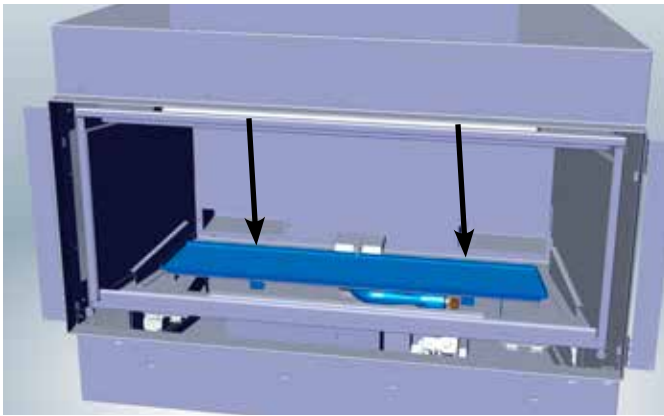


Diagram 2 - Burner Screw Locations

5. Remove air deflector by removing 3 screws in locations shown below.

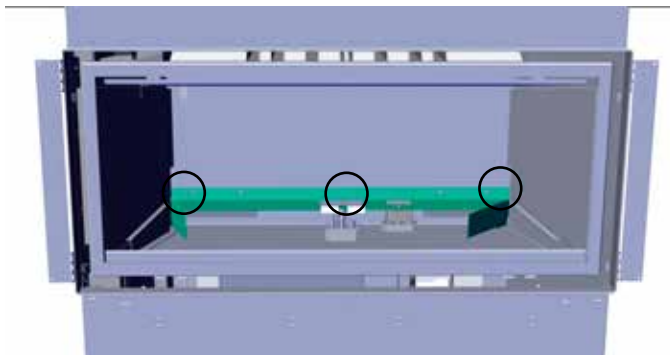


Diagram 3 - Air Deflector Screw Locations

6. Remove 4 screws in locations shown below to remove access panel. Disconnects at compression fitting on gas valve.



7. Remove valve tray by removing fourteen (14) screws in locations shown in Diagram 4.

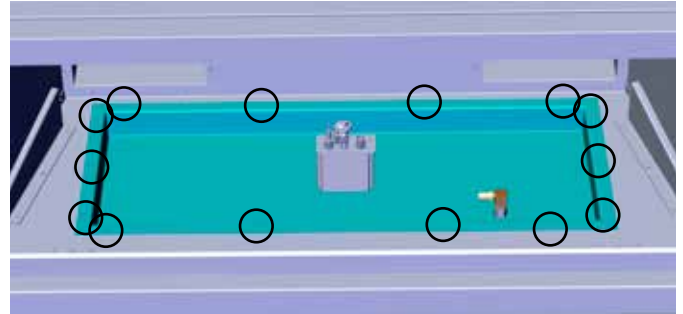


Diagram 4 - Heat Deflector Screws

8. Loosen three (3) screws to remove heat deflector shown in Diagram 5.

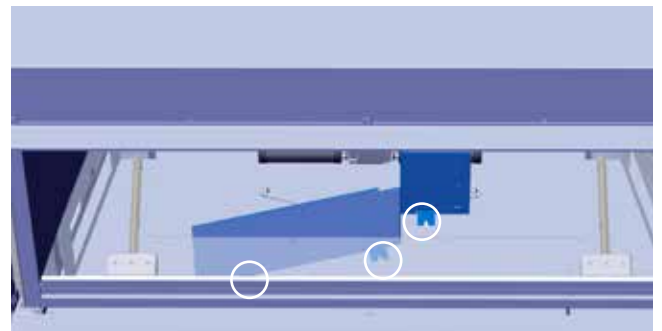


Diagram 5 - Valve Tray Screws

9. Remove two (2) screws to remove fan shown in Diagram 6.

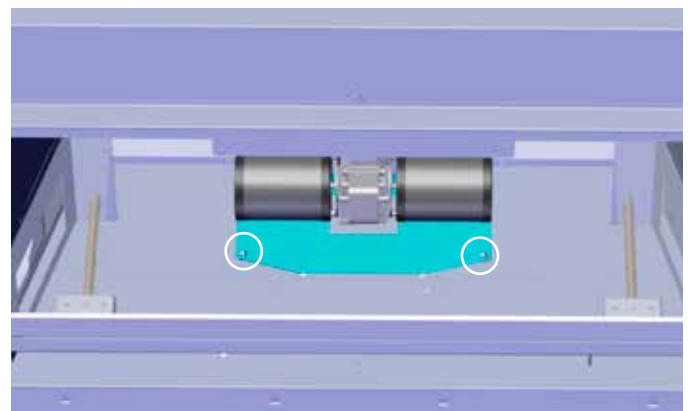


Diagram 6 - Fan Screws

10. Reverse steps to reinstall fan.

MAINTENANCE INSTRUCTIONS

1. Clean appliance and door with a damp cloth (never when unit is hot). Never use an abrasive cleaner. The glass should be cleaned with a gas fireplace glass cleaner. The glass should be cleaned when it starts looking cloudy.
2. The faceplate is finished in a heat resistant paint and should only be refinished with heat resistant paint. Regency® uses StoveBright Paint - Metallic Black #6309.

Note: Faceplates and inner panels made from stainless steel will naturally change color over time.

3. Make a periodic check of burner for proper position and condition. Visually check the flame of the burner periodically, making sure the flames are steady; not lifting or floating. If there is a problem, call a qualified service person.
4. The appliance and flueing system must be inspected before use, and at least annually, by a qualified field service person, to ensure that the flow of combustion and flueilation air is not obstructed.

Note: Never operate the appliance without the glass properly secured in place.

5. Do not use this appliance if any part has been under water. Immediately call a qualified service technician to inspect the appliance and to replace any part of the control system and any gas control which has been under water.
6. In the eflue this appliance has been serviced check that the flue-air system has been properly resealed & reinstalled in accordance with the manufacturer's instructions.
7. Verify operation after servicing.

GENERAL FLUE MAINTENANCE

Conduct an inspection of the flueing system semi-annually. Recommended areas to inspect as follows:

- 1) Check the Flueing System for corrosion in areas that are exposed to the elements. These will appear as rust spots or streaks, and in extreme cases, holes. These components should be replaced immediately.
- 2) Remove the Cap, and shine a flashlight down the Flue. Remove any bird nests, or other foreign material.
- 3) Check for evidences of excessive condensation, such as water droplets forming in the inner liner, and subsequently dripping out the joints. Continuous condensation can cause corrosion of caps, pipe, and fittings. It may be caused by having excessive lateral runs, too many elbows, and exterior portions of the system being exposed to cold weather.
- 4) Inspect joints, to verify that no pipe sections or fittings have been disturbed, and consequently loosened. Also check mechanical supports such as Wall Straps, or plumbers' tape for rigidity.

GLASS GASKET

If the glass gasket requires replacement use a tadpole glass gasket (Part # 936-157).

GLASS DOOR

Your Regency® fireplace is supplied with high temperature 5mm-Ceramic glass. If your glass requires cleaning, we recommend using an approved glass cleaner available at all authorized dealers. Do not use abrasive materials.

CAUTION & WARNINGS:

- * Do not clean when the glass is hot.
- * The use of substitute glass will void all product warranties.
- * Care must be taken to avoid breakage of the glass.
- * Do not strike or abuse the glass.
- * Do not operate this fireplace without the glass front or with a cracked or broken glass front.
- * Wear gloves when removing damaged or broken glass.
- * Replacement of the glass panel(s) should be done by a licensed or qualified service person.

GLASS REPLACEMENT

In the eflue that you break your glass by impact, purchase your replacement from an authorized Regency® dealer only.

Replacement glass is shipped already installed into the door frame.

CAUTION: Wear gloves when removing damaged or broken glass.

WARNING: Do not operate the appliance with the glass panels removed, cracked or broken. Replacement of the glass panels should be done by a licensed or qualified service person.

TROUBLESHOOTING GUIDE

ALL WORK MUST BE CARRIED OUT BY A LICENSED/QUALIFIED TECHNICIAN		
It is critical that this appliance is earthed and that Active and Neutral are not crossed		
*Pilot light models only		
SYMPTOM	CAUSE	SOLUTION
Unit does not operate (No ignition & No Fan)	No power supply (240V) to unit or control box	Check 240V power supply
	Faulty ECS box	Replace ECS module & Cat 5 Cable
Unit will not operate using remote control, but OK using manual control	Remote control not tuned into unit.	Tune remote control into unit
	Remote is not tuning to the unit	Replace Remote control and or ECS module
*Unit goes through ignition cycle, but pilot light does not ignite Direct Spark units Igniter sparks but main burner doesn't light	No gas to unit or fitting line has not been purged	Check gas supply or purge fitting line
	*Blocked pilot	*Clean or replace pilot assembly
	Faulty ignition pack	Replace Ignition pack
	Ignitor earthing or sparking to incorrect location	Ensure sparker is in good condition, replace if necessary
*Pilot light ignites but main burner does not ignite, igniter continues to spark for 10 seconds then goes to lock out Direct Spark units Main burner ignites but igniter continues to spark for 10 seconds then goes to lock out	Faulty sensor lead/ circuit	Check flame sensor is connected and not damaged
	Crossed polarity, Faulty extension lead or power board	Check polarity at power point connection into heater and ECS control box
	Faulty Ignition Module	Replace Ignition module
*Pilot light ignites but main burner does not ignite, igniter stop sparking and pilot flame stays on	No Gas to main burner	Check burner injector for blockage
	Pressure switch not activating	Ensure Fan is running
		Clear any blockage in hose from pressure switch to fan.
		Clean the fan
	No power out of ignition module	Replace Pressure switch
	Replace Ignition Module	

Unit ignites, main burner becomes unstable, flame lifts off burner, unit goes into lockout	Incorrect burner pressure settings	Adjust burner pressure to correct setting (See Data plate)
	Flue blocked, Incorrect flue installation or flue joints not sealed	Clear blocked flue, install flue correctly and seal all flue joints
	Burner aeration not correctly adjusted	Adjust burner aeration (See Unit Manual)
	Log set incorrectly installed	Install log set as per Owner's Manual
	Flue Restrictor not set correctly	Adjust Flue restrictor (See unit manual)
Fan operates but no ignition sequence (no spark)	Unit ignition pack gone into lockout	Reset ignition pack by depressing black reset button while unit controls are in the "ON" position (fan running)
Carbon build up on glass/media/logs	Burner cracked	Replace burner
	Log set / media incorrectly installed	Install log set / media as per owner's manual
	Aeration setting too far closed	Set aeration as per owner's manual
	Aeration blocked	Clean blockage at aeration shutter
	Flue restrictor not set correctly	Adjust flue restrictor as per owner's manual
	Partial blockage in flue	Clear blocked flue

GAS APPLIANCE MAINTENANCE

In order for your Regency appliance to continue to provide comfort to your home periodic maintenance must be performed to ensure it is operating at peak efficiency. The items in the list should be checked by a licensed gas service technician during the annual service check. Your unit may require more frequent maintenance checks if you notice any changes in how it operates. Operational changes to look for can include, but are not limited to, extended start up time, increased fan noise, residue/carbon build up, white build up on the glass/firebox, increased operating noise etc. Should any of these or other conditions arise, discontinue use and schedule a service check with your local licensed gas technician. The list below shows items your licensed service technician will need to check and service at least annually.

Clean

- Glass
- Interior bricks / panels
- Burner ports & burner air shutter
- Fan blades
- Log set
- Pilot orifices
- Pilot hood (change as needed)
- Flame sensor (electronic ignition models)
- Flame electrode
- Burner orifice
- Thermocouple (millivolt models)
- Thermopile (millivolt models)

Inspect

- Pilot assembly
- Burner
- Pressure relief gaskets/doors
- Flue connector gasket if present
- Door seal
- Firebox
- Venting
- Batteries (remote handheld, remote receiver, DC sparker, change as needed)
- Burner media (change as needed)
- Air shutter setting
- Wiring

Check

- Voltage on thermocouple/thermopile (millivolt models)
- Ohms reading on flame sense (electronic ignition models)
- Inlet/outlet fuel pressures as per rating plate
- Voltage/ohms readings on gas valve
- Ohms reading to on/off switch circuit (Millivolt models)

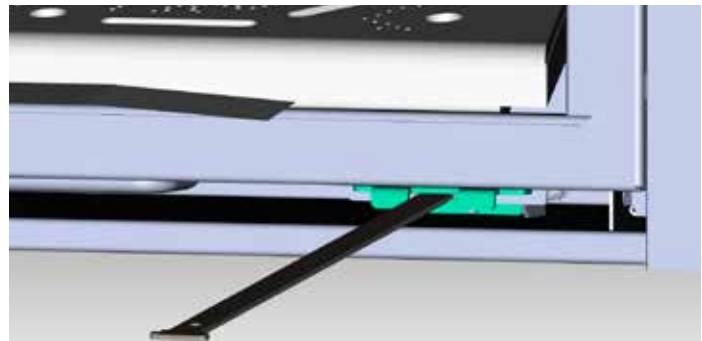
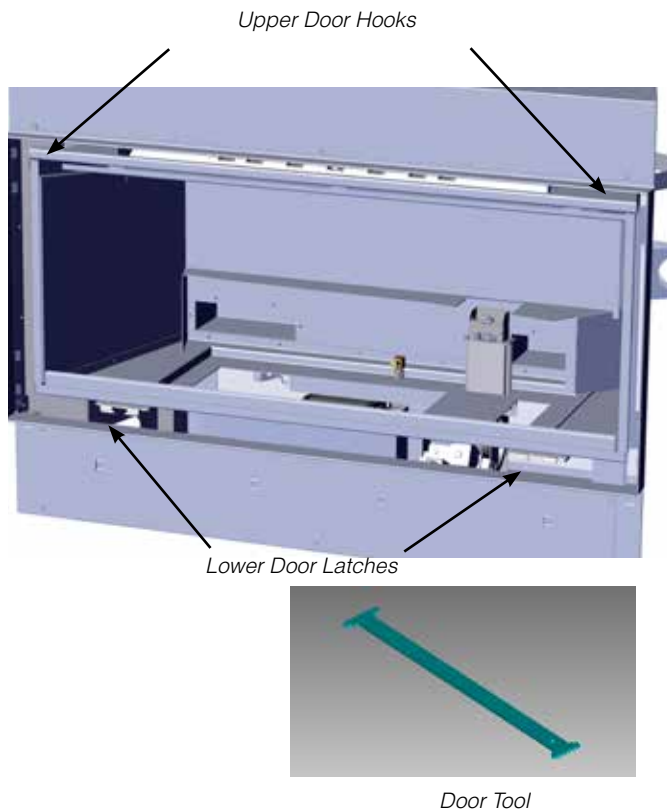
Gas Leak Tests

- Check main gas line connection to valve
- Check shut off valve connections
- Check connection at gas valve outlet
- Check connection at main burner orifice
- Check pilot fuel line at valve and at pilot assembly

GLASS DOOR INSTALLATION

WARNING: Do not operate the appliance with the glass panels removed, cracked or broken. Replacement of the glass panels should be done by a licensed or qualified service person.

1. Insert the door tool into the lower door latch.



2. Pull forward until the lower door latch is disengaged from the door frame.
- 3) Push downward until the Lower Door Latch is below the Door Frame.
4. Release the lower door latch until it reaches its resting point.
5. Remove the door tool and repeat steps 1-5 on the other lower door latch.
6. Pull the bottom of the door towards you until the door is angled away from the firebox by about 30°. Lift the door up and over the upper door hooks.
7. To install the glass door - reverse steps.

maintenance

VALVE TRAY REPLACEMENT

PRIOR TO SERVICING THE FAN, ENSURE UNIT HAS COOLED TO ROOM TEMPERATURE, ALL POWER IS DISCONNECTED AND GAS SUPPLY IT TURNED OFF.

1. Remove faceplate, inner frame, glass door, and inner panels - see instructions in this manual.
2. Remove crystals and stones if installed.
3. Remove burner tray by removing 3 screws shown in Diagram 1.

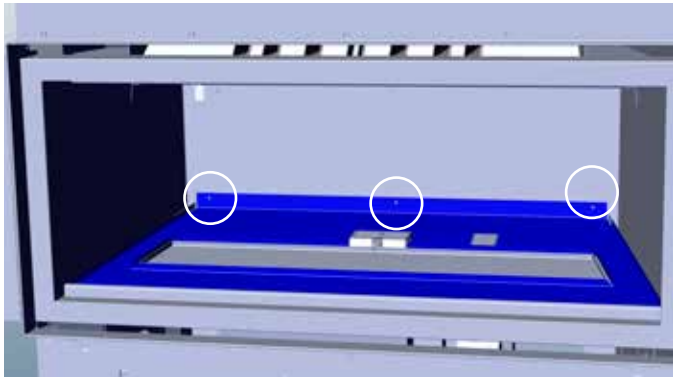


Diagram 1 - Burner Tray Screw Locations

4. Remove burner by removing 2 screws in locations shown below.

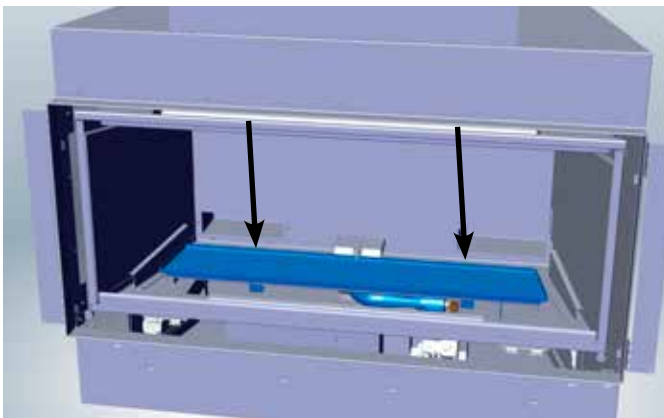


Diagram 2 - Burner Screw Locations

5. Remove air deflector by removing 3 screws in locations shown below.

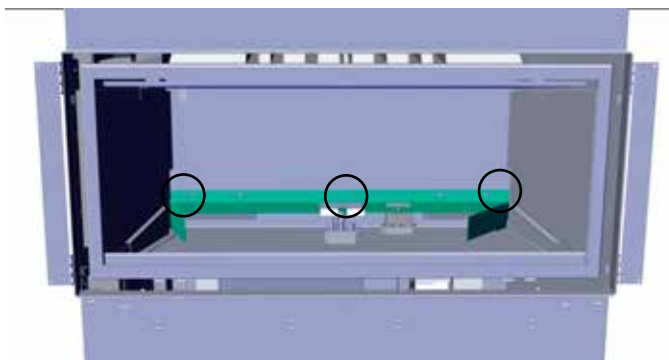


Diagram 3 - Air Deflector Screw Locations

6. Remove burner by removing 14 screws in locations shown below.

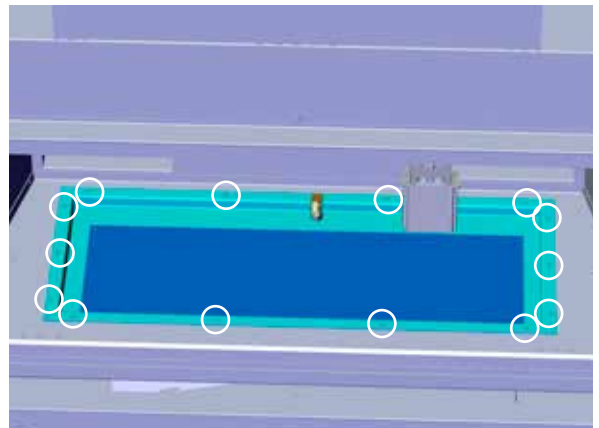


Diagram 4 - Valve Tray Screw Locations

7. Lift out valve tray.

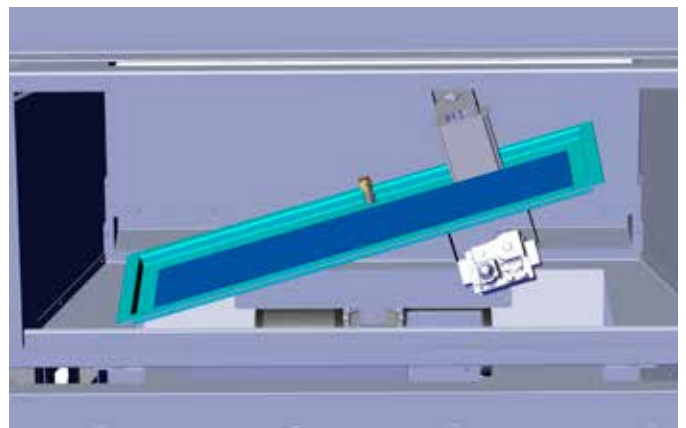
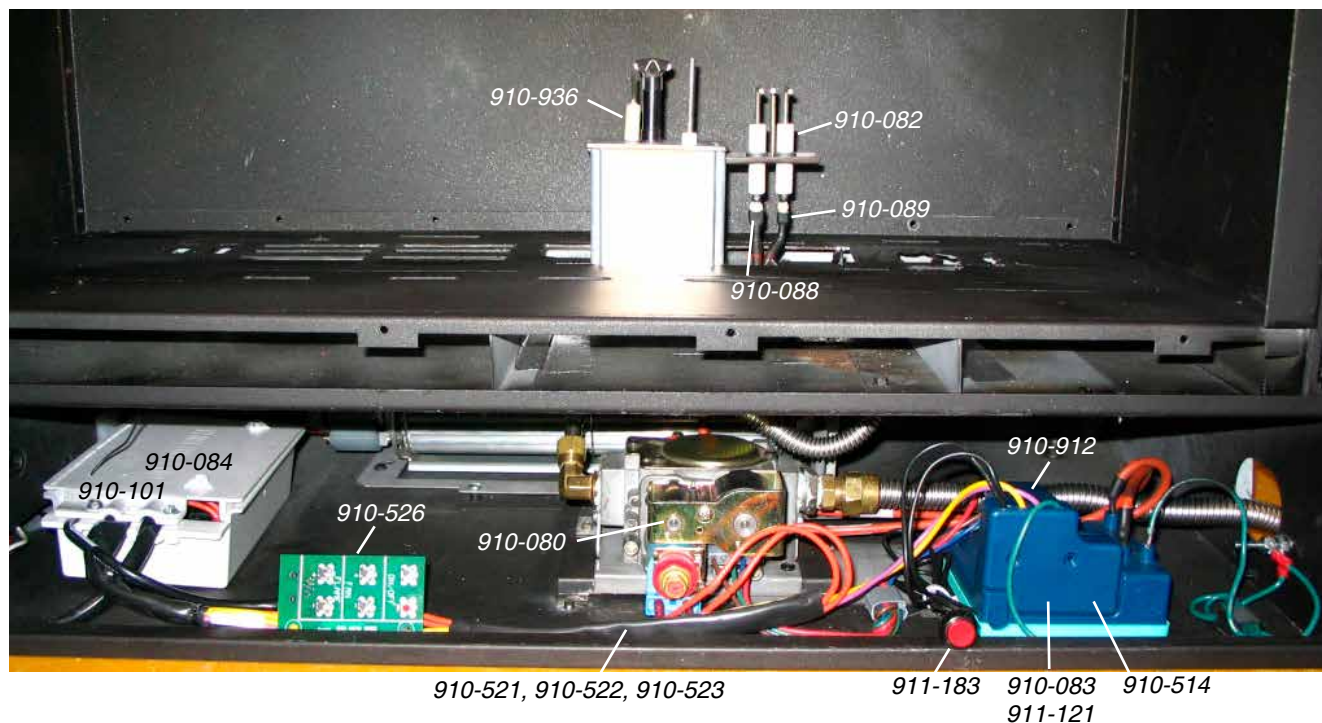


Diagram 5 - Valve Tray Removal

8. Replace valve tray and reverse steps.

ELECTRONIC COMPONENTS PARTS LIST

Note: Depending on the model, the diagram below may not be exactly as shown - for reference purposes only.



	FG38	FG39	PG33	PG36 / PG36D	PG121/ PG131	GFI300L	IG34	GF950L GF900C	GF1500L
910-909 Fan Resistor	✓	✓	✓	✓	✓	✓	✓	✓	✓
910-936 Intermittent Pilot	N/A	✓	✓	✓	✓	N/A	✓	✓	N/A
911-146 Intermittent Pilot	N/A	N/A	N/A	N/A	N/A	✓	N/A	N/A	✓
910-082 Direct Spark Ignitor	✓	N/A	N/A	N/A	N/A	N/A	N/A	N/A	N/A
910-089 Flame Cable	✓	N/A	N/A	N/A	N/A	N/A	N/A	N/A	N/A
910-088 Spark Cable	✓	N/A	N/A	N/A	N/A	N/A	N/A	N/A	N/A
910-084 Control Box	✓	✓	✓	✓	✓	N/A	✓	N/A	N/A
911-101 Control Box	N/A	N/A	N/A	N/A	N/A	✓	N/A	✓	✓
910-527 Manual Control Switch	✓	✓	N/A	N/A	N/A	N/A	✓	N/A	N/A
910-080 Valve	✓	✓	✓	✓	✓	✓	✓	✓	✓
910-521 Control Box Cable (1)				(1)					
910-522 Control Box Cable (2)	*N/A	(2)	(1)			N/A	(2)	N/A	N/A
910-523 Control Box Cable (3)					(3)				
910-525 Control Box Cable (4)									
910-912 Ignition Module to Valve Cable	N/A	N/A	✓	✓	✓	✓	✓	✓	✓
911-183 Reset Switch	N/A	✓	✓	✓	✓	✓	✓	✓	✓
910-083 Ignition Module (1)	(1)								
911-121 Ignition Module (2)	(2)	(2)	(2)	(2)	(2)	(2)	(2)	(2)	(2)
910-514 Jumper Wire	N/A	✓	✓	✓	✓	✓	✓	✓	✓
910-935 Manual Control Switch	N/A	N/A	✓	✓	✓	N/A	✓	N/A	N/A

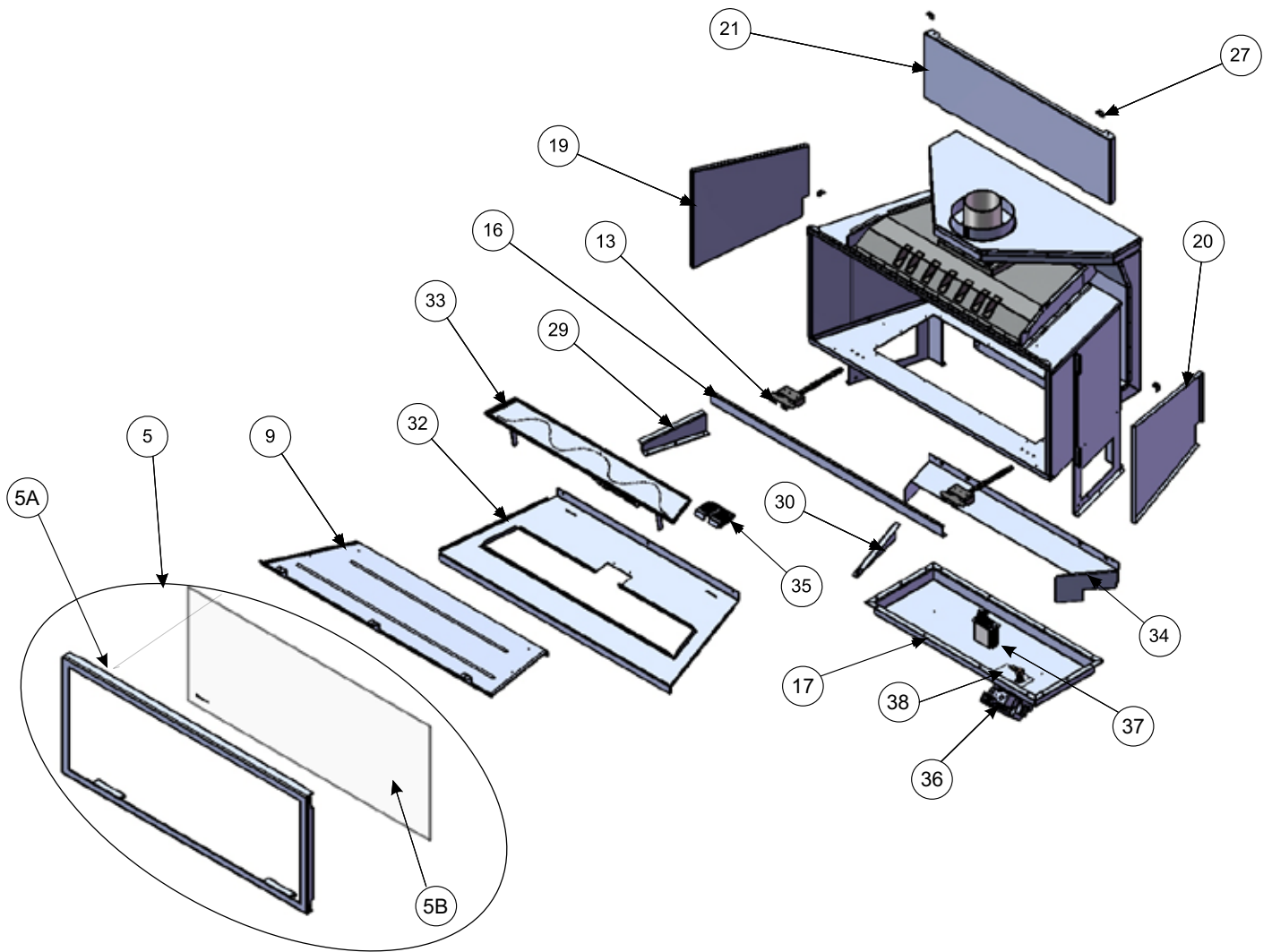
****Note:** The Control Box Cable wires for the FG38 come separately: 910-502, 910-505, 910-506, 910-507, 910-509

parts list

MAIN ASSEMBLY

Part #	Description	Part #	Description		
5A	466-014	Door Frame Only	19	466-060	Left Panel
5B	940-373/P	Replacement Glass includes Gasket	20	466-061	Right Panel
9	466-021	Baffle	21	466-096	Rear Panel
13	396-037	Bottom Door Latch	27	476-062	Panel Clip
16	466-044	Front Deflector	29	466-088	Panel Bracket LH
			30	466-089	Panel Bracket RH
			32	466-090	GF900C Glass Burner Tray
			33	468-525	Glass Burner Assembly NG/LP
			34	466-092	Rear Tray
			35	466-091	Pilot Hood
			36	910-080	Sigma Valve NG/LP
			37	910-936	Pilot Assembly NG
			37	911-259	Pilot Assembly LP
			38	904-240	#37 Burner Orifice NG
			38	904-345	#53 Burner Orifice LP
			*	910-036	Pilot Orifice - NG
			*	910-037	Pilot Orifice - LPG/ULPG
			*	910-096	3 Wat Pilot Hood
			*	911-137	Pilot Clip
			*	911-100	Remote Control
			*	911-101	Control Box
			*	911-121	Ignition Control Module
			*	911-112	Pressure Switch
			*	911-113	Switch On/Off w/Cat 5 cable
			*	910-155/P	Blower Motor
			*	911-183	Black Reset Button
			*	466-063	Valve Assembly Basket
			*	466-104	Valve access plate
			*		Not Shown
				920-038	Manual

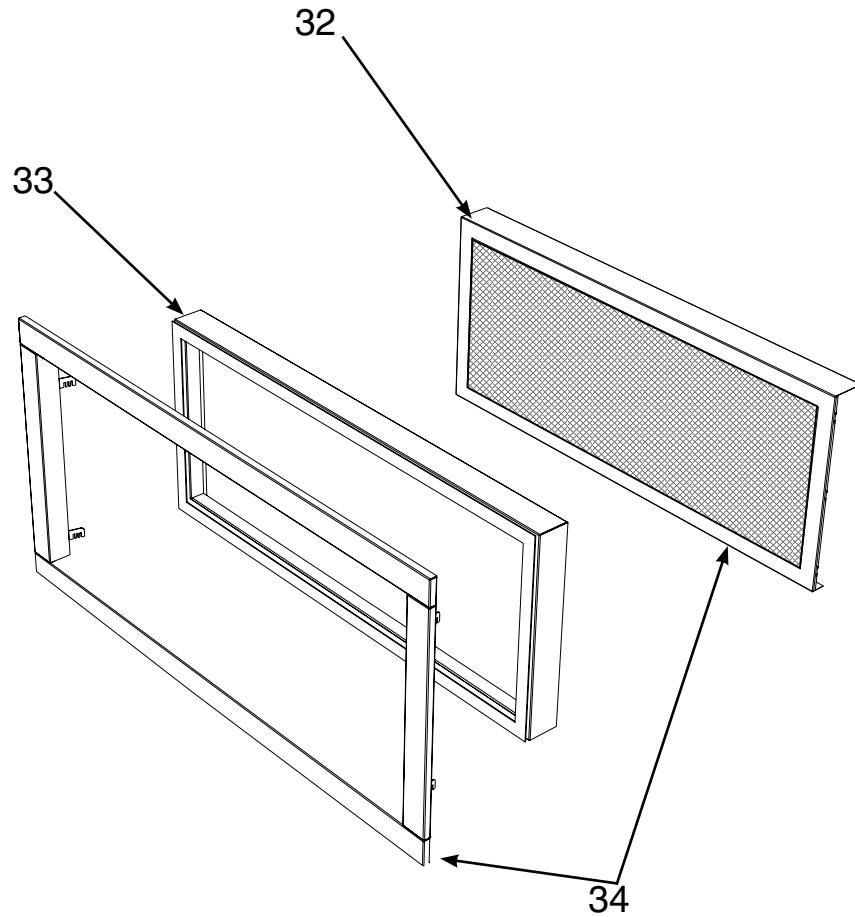
MAIN ASSEMBLY



parts list

ACCESSORIES

Part #	Description
32 467-922	Inner door frame - Black w/ Screen
467-932	Inner door frame - Stainless w/ Screen
33 467-544	Door Frame Overlay - Black
34 468-934	Fascia and Door Frame Black w/Screen
468-936	Fascia and Door Frame Stainless Steel w/Screen
35 468-951	Fascia Black Glass w/screen (not shown)
* 468-928	Finishing Trim
* 468-900	Steel Stud Kit
* 466-905	Weather Box
* 466-907	Inner Panel - Brushed Stainless



warranty

Limited Lifetime Warranty

FPI Fireplace Products International Ltd. (“the manufacturer”) through its wholly owned subsidiary, Fireplace Products Australia Pty Ltd (for Australia and New Zealand customers) and sold under the Regency® brand of fireplace products (collectively referred to herein as “FPI”), extends this Limited Lifetime Warranty to the original purchaser of this appliance provided the product remains in the original place of installation. The items covered by this limited warranty and the period of such coverage is set forth in the table below.

Some conditions apply (see below).

The policy is not transferable, amendable or negotiable under any circumstances.

Indoor Gas Products Warranty Coverage Parts and Labor	Part				Supplier	Labor Coverage
	Lifetime	5 years	2 years	1 year	Warranty	(Years)
Firebox and Heat Exchanger	✓					3
Steel Burner Tube	✓					3
Glass Thermal breakage only	✓					3
All Surrounds/Inlays Finishes		✓				3
Brick Panels/Log sets/Ceramic Burners		✓				3
All Castings		✓				3
Valve assembly and all gas control components (Pilot assembly, flame sensors, Spark Electrode, Pilot Tubing, Orifices, Thermocouple, Thermopile)			✓			2
All Other Electrical components with the exception of WIFI Dongle (Ignition Control Boards, Wiring, Switches, Fans, Fan Control Module, Battery Pack, Remote Control Systems)			✓			1
Enamel Panels			✓			1
Venting/Venting Components			✓			1
All Stainless steel surrounds				✓		1
All Firebox Media (Crystals, Fire beads, Volcanic, Ceramic & Spa Stones)				✓		1
All hardware				✓		1
Mesh/Glass Safety Barriers				✓		1
Accent Light Bulbs				✓		1
Glass (Crazing)				✓		1
WIFI Dongle (Applicable Models)				✓		1

After the original warranty coverage for any of the parts above have expired, any repair and/or replacement parts purchased by the consumer from FPI or through an accredited distributor or dealer will carry a ninety (90) day warranty (valid only with an original copy of the tax invoice). No labor coverage is included with any repair and/or replacement part.

Replacement parts are limited to one per warranty term.

Conditions:

Warranty protects against defect in manufacture or FPI factory assembled components only, unless herein specified otherwise. This warranty will only apply to those products which are acquired at the time of this warranty being effective. FPI will not be liable for any damage or loss that falls outside the scope of the warranty.

Any part(s) found to be defective during the warranty period as outlined above will be repaired or replaced at FPI's option through an accredited distributor, dealer or pre-approved and assigned agent provided that the defective part is returned to the distributor, dealer or agent for inspection if requested by FPI. Alternatively, FPI may at its own discretion fully discharge all of its obligations under the warranty by refunding the verified purchase price of the product to the original purchaser. The purchase price must be confirmed by an original copy of the tax invoice.

The authorised selling dealer, or an alternative authorised FPI dealer if pre-approved by FPI, is responsible for all in-field diagnosis and service work related to all warranty claims. This warranty does not cover dealer travel costs for diagnostic or service work. Dealers may charge homeowner for travel and additional time. Check with your selling dealer in advance for any costs to you when arranging a warranty call. FPI is not responsible for results or costs of workmanship of unauthorised FPI dealers or agents in the negligence of their service work. Additional service fees may apply if you are seeking warranty service from a dealer other than the dealer from whom you originally purchased the product.

At all times FPI reserves the right to inspect reported complaints on location in the field claimed to be defective and determine whether the warranty will apply prior to processing or authorising of any claim. Failure to allow this upon request will void the warranty.

All warranty claims must be submitted by the dealer servicing the claim, including an original copy of the tax invoice (proof of purchase by you). All claims must be complete and provide full details as requested by FPI to receive consideration for evaluation, including proof of maintenance records. Incomplete claims may be rejected. FPI has absolute discretion to assess and determine any warranty claim and may accept or reject a claim as it considers appropriate. Any part or parts of the unit found to be defective will be repaired or replaced at FPI's option, through an accredited distributor or service agent provided that the defective part be returned to the distributor or agent, **Transportation Prepaid**, if requested. **It is the general practice of FPI to charge for larger, higher priced replacement parts and issue credit once the replaced component has been returned to FPI and evaluated for manufacturer defect.**

If a consumer has a unit installed outside an accredited distributor, dealer or pre-approved service agent's service area, or the closest approved service agent is situated more than thirty (30) kilometres from the installation, FPI is not obliged to arrange warranty repairs or shipping/transportation costs. In these cases, the consumer must arrange warranty service with its selling dealer, and shipping, travel and/or additional labor charges will apply.

Unit must be installed according to all manufacturers' instructions as per the manual.

All Local and National required codes must be met.

The installer is responsible to ensure the unit is operating as designed at the time of installation.

The original purchaser is responsible for annual maintenance of the unit, as outlined in the owner's manual. As outlined below, the warranty may be voided due to problems caused by lack of maintenance. Annual maintenance records should be retained.

Repair/replacement parts purchased by the consumer from FPI after the original coverage has expired on the unit will carry a 90 day warranty, valid with a receipt only. Any item shown to be defective will be repaired or replaced at our discretion. No labor coverage is included with these parts.

Exclusions:

This Limited Lifetime Warranty does not extend to paint, rust or corrosion of any kind due to a lack of maintenance or improper venting, combustion air provision, corrosive chemicals (i.e. chlorine, salt, air, etc.), door or glass gasket.

Malfunction, damage or performance based issues as a result of environmental conditions, location, chemical damages, downdrafts, installation error, installation by an unqualified installer, incorrect chimney components (including but not limited to cap size or type), operator error, abuse, misuse, use of improper fuels, accidents, lack of regular maintenance and upkeep, acts of God, weather related problems from hurricanes, tornados,

warranty

earthquakes, floods, lightning strikes/bolts or acts of terrorism or war, which result in malfunction of the appliance are not covered under the terms of this Limited Lifetime Warranty.

FPI has no obligation to enhance or modify any unit once manufactured (i.e. as products evolve, field modifications or upgrades will not be performed on existing appliances).

Any unit showing signs of neglect or misuse will not be covered under the terms of this warranty policy and may void this warranty. This includes units with rusted or corroded fireboxes which have not been reported as rusted or corroded within three (3) months of installation/purchase. Any alteration to the unit which causes sooting or carboning that results in damage to the exterior fascia or over firing that can cause component or firebox/heat exchanger failure will not be covered by this warranty.

Units which show evidence of being operated while damaged, or with problems known to the purchaser and causing further damages will void this warranty.

Units where the serial no. has been altered, deleted, removed or made illegible will void this warranty.

Minor movement, expansion and contraction of the steel is normal and is not covered under the terms of this warranty.

Freight damages for products or parts are not covered under the terms of the warranty.

Porcelain/Enamel: Absolute perfection is neither guaranteed nor commercially possible. Any chips must be reported and inspected by the authorised selling dealer within three (3) days of installation. Any damage of this type not reported after this time period will be subject to rejection and any related warranty will not apply.

Special Finishes: Expect some changes in color as the product "ages" with constant heating and cooling. The manufacturer warranty does not cover tarnishing, changing colors and/or marks (i.e. finger prints, etc.) after the purchase of the product. Damage from the use of abrasive cleaners is not covered by warranty.

Products made or provided by other manufacturers and used in conjunction with the FPI appliance without prior authorisation from FPI may void this warranty.

INCORRECT INSTALLATION OR GAS PRESSURE SETTINGS ARE NOT COVERED BY WARRANTY. A SERVICE OR CALLOUT FEE WILL BE CHARGED IN THESE CIRCUMSTANCES.

Limitations of Liability:

1. Exclusion of implied terms

The customer may have the benefit of consumer guarantees under the Australian Consumer Law. To the maximum extent permitted by law, all terms, conditions or warranties that would be implied into this Warranty or in connection with the supply of any goods or services by the supplier under law or statute or custom or international conventions are excluded.

2. Limitation of liability

(a) To the maximum extent permitted by law and subject to clauses 1 and 3, the supplier's total liability arising out of or in connection with its performance or its obligations pursuant to this Warranty, or arising out of or in connection with the supply of specific goods or services (including pursuant to or for breach of this Warranty, under statute, in equity or for tort, including negligent acts or omissions) is limited as follows: (i) the supplier shall have no liability to the customer for any Consequential Loss; (ii) without limiting the effect of clause 2(a)(i), the supplier's total aggregate liability for Loss, however arising, shall not exceed the GST exclusive aggregate price paid by the customer to the supplier for the specific goods or services that gave rise to the Loss in question.

(b) The limitations and exclusions in this sub-clause do not apply to the extent that any Loss is directly attributable to: (i) the personal injury or death caused by the supplier's default, breach of this Warranty or negligence; or (ii) fraud by the supplier.

(c) Each party must take reasonable steps to mitigate any Loss it suffers or incurs.

3. Limitation of liability under Australian Consumer Law Guarantees

(a) To the extent that goods supplied by the supplier are not goods of a kind ordinarily acquired for personal, domestic or household use and the customer is deemed to be a consumer for the purposes of section 64A of the Australian Consumer Law, the customer agrees that the supplier's liability for a failure to comply with a consumer guarantee that the customer may have a benefit under the Australian Consumer Law (other than a guarantee under sections 51 (title), 52 (undisturbed possession) and 53 (undisclosed securities)), is limited to, at the option of the supplier, one or more of the following: (i) replacement of the goods or the supply of equivalent goods; (ii) the repair of the goods; (iii) the payment of the cost of replacing the goods or of acquiring equivalent goods; or (iv) equivalent goods; or (v) the payment of the cost of having the goods repaired.

(b) To the extent that services supplied by the supplier are services other than services of a kind ordinarily acquired for personal, domestic or household use or consumption, the supplier's liability for failure to comply with a consumer guarantee that the customer may have the benefit of is limited to, at the option of the supplier: (i) the supply of the services again; or (ii) the payment of the cost of having the services supplied again.

4. Subject to Change

This Limited Warranty is given at the time of sale and purchase of the relevant fireplace product. The terms of this Limited Warranty may be amended from time to time by FPI in accordance with changes to business practices, consumer laws or other legal requirements. The rights and protections granted under the Limited Warranty are those in force in relation to a fireplace product at the time and in the place of sale of that product, and only those terms will be applicable in respect of that product.

5. Severability

Any term of this Limited Warranty that is invalid or unenforceable in any jurisdiction is to be read down for the purposes of that jurisdiction, if possible, so as to be valid and enforceable, and is otherwise capable of being severed to the extent of the invalidity or unenforceability, without affecting the remaining provisions of this Limited Warranty or affecting the validity or enforceability of that provision in any other jurisdiction.

6. Definitions

For purposes of clauses 1, 2 and 3:

(a) Consequential Loss means loss of expected savings, loss of use, loss of opportunity, loss of profit, loss of revenue, increased financing costs, loss arising from delay, or any consequential, special or indirect loss or damage, whether or not the possibility or potential extent of the loss or damage was known or foreseeable, and whether arising from a claim under indemnity, contract, tort (including negligence), statute or otherwise.

(b) Loss means any expense, cost or damage of any kind and includes Consequential Loss and a fine or penalty imposed by a statutory or other authority.

warranty

How to Obtain Warranty Service:

Customers should contact the authorised selling dealer to obtain warranty service. In the event the authorised selling dealer is unable to provide warranty service, please contact FPI by mail at the address listed below. Please include your name, address, purchase date, selling dealer, serial #, type of unit, a brief description of the problem, email and telephone contact information, and a copy of your original tax invoice. A representative will contact you to make arrangements for an inspection and/or warranty service. (See below for Western Australia and/or New Zealand)

Please note Fireplace Products Australia Pty Ltd does not provide installation services.

Fireplace Products Australia Pty Ltd

99 Colmans Road
Dandenong, VIC
Australia, 3175
Phone: +61 3 9799 7277
Fax: +61 3 9799 7822

To obtain warranty service in Western Australia and/or New Zealand, please contact one of our authorised distributors in those areas:

Western Australia:

Air Group Australia

28-30 Division St.
Welshpool, WA
Australia, 6106
Phone: (08) 9350 2200
Fax: (08) 9353 4225

New Zealand:

Aber Holdings Ltd

PO Box 10095
Te Rapa, Hamilton
New Zealand, 3241
Freephone: 0800 161 161

Product Registration and Customer Support:

Thank you for choosing a Regency Fireplace. Regency strives to be a world leader in the design, manufacture, and marketing of hearth products. To provide the best support for your product, we request that you complete a product registration form at <http://www.regency-fire.com.au/Customer-Care/Warranty-Registration.aspx> within ninety (90) days of purchase.



Product Registration and Customer Support:

Thank you for choosing a Regency Fireplace. Regency strives to be a world leader in the design, manufacture, and marketing of hearth products. To provide the best support for your product, we request that you complete a product registration form found on our Web Site under Customer Care within ninety (90) days of purchase.

For purchases made in **CANADA or the UNITED STATES:**

<http://www.regency-fire.com/Customer-Care/Warranty-Registration.aspx>

For purchases made in **AUSTRALIA:**

<http://www.regency-fire.com.au/Customer-Care/Warranty-Registration.aspx>

You may also complete the warranty registration form below to register your Regency Fireplace Product and mail and/or fax it back to us, and we will register the warranty for you. It is important you provide us with all the information below in order for us to serve you better.

Warranty Registration Form (or Register online immediately at the above Web Site):

Warranty Details	
Serial Number (required):	
Purchase Date (required) (mm/dd/yyyy):	
Product Details	
Product Model (required):	
Dealer Details	
Dealer Name (required):	
Dealer Address:	
Dealer Phone #:	
Installer:	
Date Installed (mm/dd/yyyy):	
Your Contact Details (required)	
Name:	
Address:	
Phone:	
Email:	

For purchases made in **CANADA:**

FPI Fireplace Products International Ltd.
6988 Venture St.
Delta, British Columbia
Canada, V4G 1H4

Phone: 604-946-5155
Fax: 1-866-393-2806

For purchases made in the **UNITED STATES:**

Fireplace Products US, Inc.
PO Box 2189 PMB 125
Blaine, WA
United States, 98231

Phone: 604-946-5155
Fax: 1-866-393-2806

For purchases made in **AUSTRALIA:**

Fireplace Products Australia Pty Ltd
99 Colmans Road
Dandenong, VIC
Australia, 3175

Phone: +61 3 9799 7277
Fax: +61 3 9799 7822

For fireplace care and tips and answers to most common questions please visit our Customer Care section on our Web Site. Please feel free to contact your selling dealer if you have any questions about your Regency product.

IMPORTANT: A certificate of compliance or equivalent by an authorised installer must be obtained on commissioning of appliance to obtain warranty.

Installer: Please complete the following information

Dealer Name & Address: _____

Installer: _____

Phone #: _____

Date Installed: _____

Serial #: _____



GF900C Video