

# City Series® ACB60E DIRECT VENT

Owners &  
Installation Manual



**STYLE**  
Three sided  
Corner Conversion

**MODEL**  
ACB60ENG / ACB60ELP / ACB60EULP

[www.regency-fire.com.au](http://www.regency-fire.com.au)

## **⚠ WARNING**

### **FIRE OR EXPLOSION HAZARD**

Failure to follow safety warnings exactly could result in serious injury, death, or property damage.

- Do not store or use gasoline or other flammable vapors and liquids in the vicinity of this or any other appliance.

### **- WHAT TO DO IF YOU SMELL GAS**

- Do not try to light any appliance.
- Do not touch any electrical switch: do not use any phone in your building. Leave the building immediately.
- Immediately call your gas supplier from a neighbour's phone. Follow the gas supplier's instructions.
- If you cannot reach your gas supplier, call the fire department.

- Installation and service must be performed by a qualified installer, service agency or the gas supplier.

### **LISTING AND CODE APPROVALS**

These gas appliances were tested in accordance with AS/NZS 5263.0 & AS/NZS 5263.1.8 and certified by IAPMO for installation and operation as described in these instructions.

Must be installed as per AS/NZS5601.

Your unit should be serviced annually by an authorised service person.

[www.regency-fire.com.au](http://www.regency-fire.com.au)

*Installer:* Please complete the details on the back cover and leave this manual with the homeowner.  
*Homeowner:* Please keep these instructions for future reference.

To the New Owner:

Congratulations!

You are the owner of a state-of-the-art gas fireplace by REGENCY®. The City Series comprises hand-crafted appliances designed to provide you with all the warmth and charm of a wood fireplace at the flick of a switch. The ACB60E City Series is approved by Intertek for both safety and efficiency. City Series appliances also bear Regency's mark, signifying our promise to provide you with economy, comfort and security for many trouble-free years to follow. Please take a moment to acquaint yourself with the instructions in this manual and the many features of your Regency® Fireplace.

## **WARNING**

DO NOT turn your fireplace on via any means or allow to be turned on unless you have conducted a thorough inspection of the area surrounding the fireplace immediately prior to its use, and you have satisfied yourself that there are no materials or other items in proximity to the fireplace which could present a fire risk.

DO NOT turn your fireplace on via any means or allow to be turned on if there are any unsupervised children, infirm or pets in the area surrounding the fireplace.

DO NOT use this fireplace, unless you have read this Manual, and strictly adhere to the user requirements and warnings set out in this Manual.

## **RELEASE**

Without limiting any other acknowledgement, release or indemnity given by you, or limitation of liability, in favour of Fireplace Products Pty Ltd ("Company"), you irrevocably and unconditionally acknowledge and agree that failure to comply with, or strictly adhere to, the requirements and warnings set out in this Manual ("User Requirements") may result in:

1. damage to the fireplace;
2. damage to property;
3. a house fire;
4. severe burns or other personal injury; and/or
5. death.

Subject to any remedy, guarantee, term, condition, warranty, undertaking, inducement or representation, implied or imposed by any legislation which cannot lawfully be excluded or limited, and to the maximum extent permitted by law:

1. the Company will not be liable for any damage, personal injury or death arising out of or in connection with your failure to comply with any User Requirement; and
2. you release the Company from all claims, actions, proceedings, liabilities, losses and damages in relation to death, any personal injury or property damage arising out of or in connection with your failure to comply with any User Requirement.

# table of contents

## Owner's information

Copy of Safety Decal .....	5
Dimensions - Bay Install .....	6
Dimensions - Corner Install .....	7
Gas Connection - Back of Unit .....	8
Gas Connection - Bottom of Unit .....	8
Gas Connection - Side of Unit .....	8
Electrical Connection - Bottom of Unit .....	9
Electrical Connection - Side of Unit .....	9
Important Message .....	10
Before You Start .....	10
First Fire .....	11
Normal Operating Sounds Of Gas Appliances .....	11
Lighting Procedure .....	12
Shutdown Procedure .....	12
Copy of the Lighting Plate Instructions .....	13
Proflame II Remote Control Operating Instructions .....	14
Proflame II Battery Holder Battery replacement .....	18
Front & Side Glass Barrier Removal .....	19
Glass Barrier Adjustment .....	20
Inner Glass Panel Installation / Removal .....	21
Inner Glass Panel (Firebox Glass) Installation / Removal - Side Glass .....	23
Optional Front Barrier Glass Stoppers Installation / Removal .....	24
Bulb Replacement .....	25
Maintenance Instructions .....	26
Log Replacement .....	26
Glass .....	26
Glass Replacement .....	26

## Installer's information

General Safety Information .....	27
Installation Checklist .....	27
Heatwave Duct System - Optional Kit .....	27
Locating Your Gas Fireplace - Bay Install .....	28
Locating Your Gas Fireplace - Corner Install .....	28
Unit Assembly Prior to Installation .....	29
Ventilation Openings (Three-sided/Bay Installation) .....	31
Ventilation Openings (Right/Left Corner) .....	32
Chase Enclosure .....	33

## Installation

Clearances (3-sided) .....	34
Clearances .....	35
Clearances - Corner Install .....	36
Mantel Clearances .....	37
Mantel Leg Clearances .....	37
305 mm .....	37
Framing Dimensions - Bay Install .....	38
Framing Dimensions Corner Kit - Corner Install (Right Corner) .....	39
Framing Dimensions Corner Kit - Corner Install (Left Corner) .....	40
Corner Installation Kit (Black) - Assembly Steps .....	41
Optional Framing Kit .....	44
Chase Vent Installation (White Front) .....	47
Wall Board/Plasterboard Installation .....	48
No Screw Zones .....	48
Framing and Finishing Inset Installations .....	49
Typical Installations .....	50
Finishing .....	52
Chase Venting .....	53
Wall Mount On / Off Switch and Battery Holder Installation .....	54
Exterior Flue Termination Locations .....	55
Clearances .....	56
127 mm x 203 mm Rigid Pipe - Cross Reference Chart only .....	57
Vent Restrictor Position .....	58
Venting Introduction .....	59
Venting Arrangement for Horizontal Terminations .....	59

Horizontal Terminations - Flex Vent 127 mm x 203 mm .....	60
Horizontal Terminations - Rigid Pipe 127 mm x 203 mm .....	61
Horizontal Terminations - Rigid Pipe 127 mm x 203 mm .....	62
Horizontal Venting with Two 90° Elbows .....	62
Horizontal Venting with Three 90° Elbows .....	62
Vertical Terminations - Rigid/Flex Pipe 127 mm x 203 mm .....	63
Vertical Terminations - Rigid/Flex Pipe 127 mm x 203 mm .....	64
Venting Arrangement for Vertical Terminations With Straight Vertical Venting and/or With a Max. of Two 90° Elbows (1 - 90° = 2 - 45°) .....	65
Vertical Termination - 127 mm x 203 mm Flueing - Vertical Flex Kit (Part 946-772) .....	66
Vertical Termination - 127 mm x 203 mm Flueing - Vertical Flex Kit (Part 946-772) .....	67
Vertical Flue Extension Kit (Approved Models) (Part # 946-769) .....	68
Ceiling Firestop / Firestop Spacer (Part 946-770) .....	68
Direct Flue Zero Clearance Top Exit Vertical Flue Kit - Installation Instructions .....	69
High Elevation .....	70
Gas Line Installation .....	70
Pilot Adjustment .....	70
Gas Pipe Pressure Testing .....	70
885 S.I.T. Valve Description .....	70
Wiring Diagram .....	71
Glass Barrier Installation .....	72
Glass Barrier Adjustment .....	73
Propane / ULPG Conversion Instructions .....	74
Optional Fan Ducting Kit Installation .....	76
Wiring Diagram .....	78
Inner Black Panel Installation .....	79
Inner Enamel Panel Installation .....	81
Burner and Firebox Media Options .....	83
Optional Driftwood Log Set Installation .....	84
Optional Split Wood Log Set Installation .....	87
Optional Birch Wood Log Set Installation .....	90

## Maintenance

Maintenance Instructions .....	93
Log Replacement .....	93
Glass Gasket .....	93
Glass .....	93
Glass Replacement .....	93
Flame Pattern .....	93
Valve Replacement .....	94
Gas Maintenance .....	95

## Parts List

Main Assembly .....	96
Accessories .....	98

<b>Warranty .....</b>	<b>100</b>
-----------------------	------------

This is a copy of the label that accompanies your direct vent gas fireplace, placed here for your review. The actual safety label is located on the front inside base of the unit, visible when the outer front panel is removed.


NOTE: Regency® is constantly improving its units. Check the label on the unit; if there is a difference between the information on it and the information below, the label on the unit is correct.

**Copy of Safety Decal**

<b>Regency Gas Fireplace</b>			
<b>Gas Type</b>	<b>NG</b>	<b>Propane</b>	<b>ULPG</b>
<b>Model</b>	<input type="radio"/> <b>ACB60ENG</b> <input type="radio"/> <b>ACV60ENG</b>	<input type="radio"/> <b>ACB60ELP</b> <input type="radio"/> <b>ACV60ELP</b>	<input type="radio"/> <b>ACB60EULPG</b> <input type="radio"/> <b>ACV60EULPG</b>
Gas Consumption High	41.1 MJ/h	38 MJ/h	34 MJ/h
Gas Consumption Low	23.1 MJ/h	19.4 MJ/h	17 MJ/h
Supply Pressure (Min.)	1.13 kPa	2.75 kPa	2.75 kPa
Manifold Pressure High	0.98 kPa	2.62 kPa	2.62 kPa
Manifold Pressure Low	0.32 kPa	0.63 kPa	0.63 kPa
Injector Size	1 x #32 2.95 mm	1.80 mm	1 x #52 1.61 mm
Approval No. GMK10594 AS/NZS 5263.0 & AS/NZS 5263.1.8			
Electrical: 240V 50/60 Hz		PRIMARILY A DECORATIVE AND NOT A HEATING APPLIANCE	
920-305a		Serial Number <b>548</b>	

Distributed by:  
 Western Australia:  
**Air Group Australia**  
 28 Division St  
 Welshpool, WA 6106  
 Eastern Australia  
**Fireplace Products**  
**Australia Pty. Ltd.**  
 99 Colmans Road  
 Dandenong South, Vic,  
 Australia 3175  
 New Zealand  
**Aber Holdings**  
 17 Main Street Place  
 Te Rapa, HA 3200

To be installed by an authorised person in accordance with installation instructions provided with the appliance.



**DO NOT** OPERATE THIS APPLIANCE BEFORE READING THE INSTRUCTIONS BOOKLET.  
**DO NOT** PLACE ARTICLES ON OR AGAINST THIS APPLIANCE.  
**DO NOT** STORE CHEMICALS OR FLAMMABLE MATERIALS NEAR THIS APPLIANCE.  
**DO NOT** OPERATE WITH PANELS, COVERS OR GUARDS REMOVED FROM THIS APPLIANCE.

908-6020

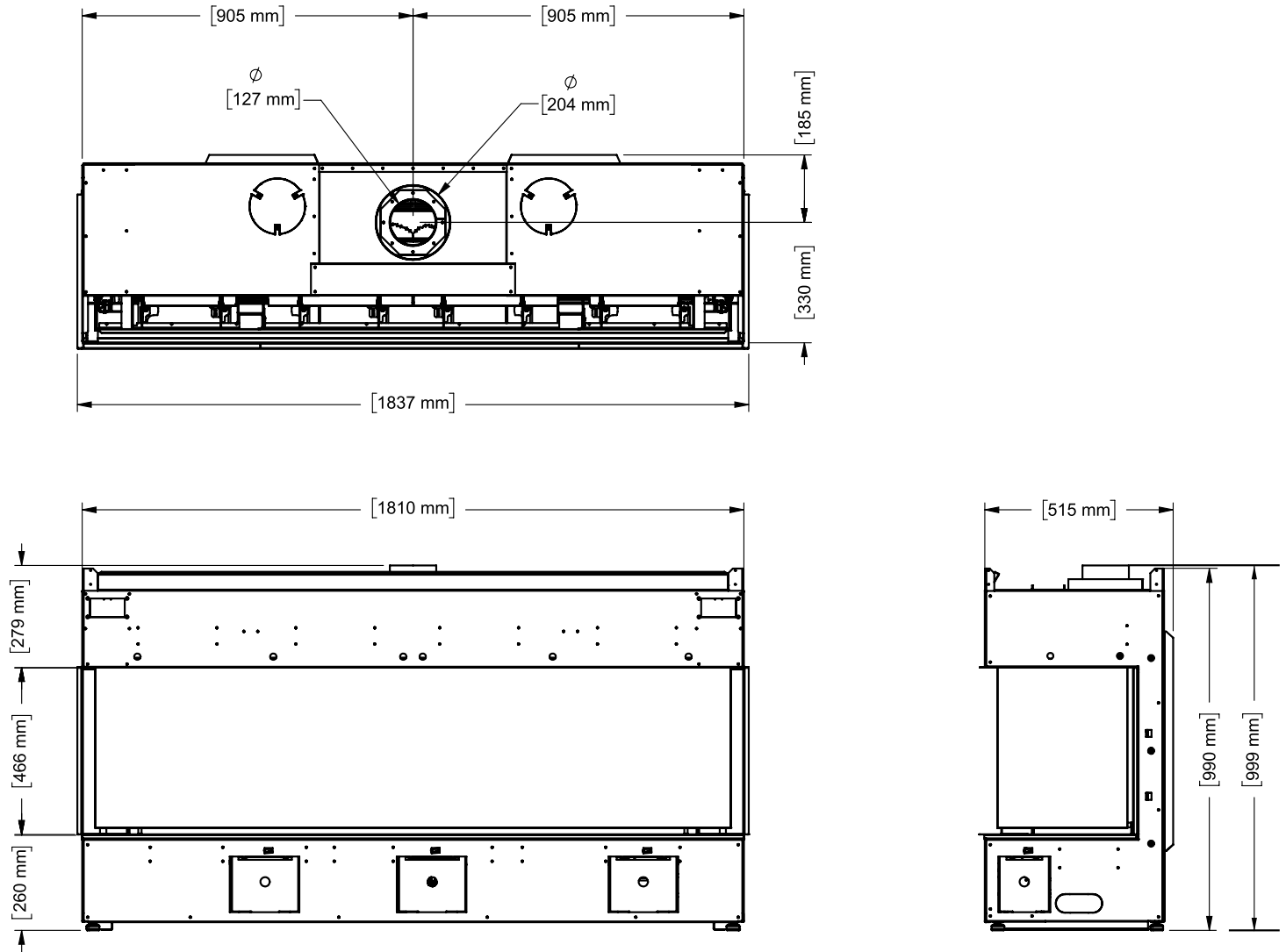
**THE GUARD IS FITTED TO THIS APPLIANCE TO REDUCE THE RISK OF FIRE OR INJURY FROM BURNS AND NO PART OF IT SHOULD BE PERMANENTLY REMOVED.**

**FOR PROTECTION OF YOUNG CHILDREN OR THE INFIRM, A SECONDARY GUARD IS REQUIRED.**

908-591

# dimensions

## Dimensions - Bay Install

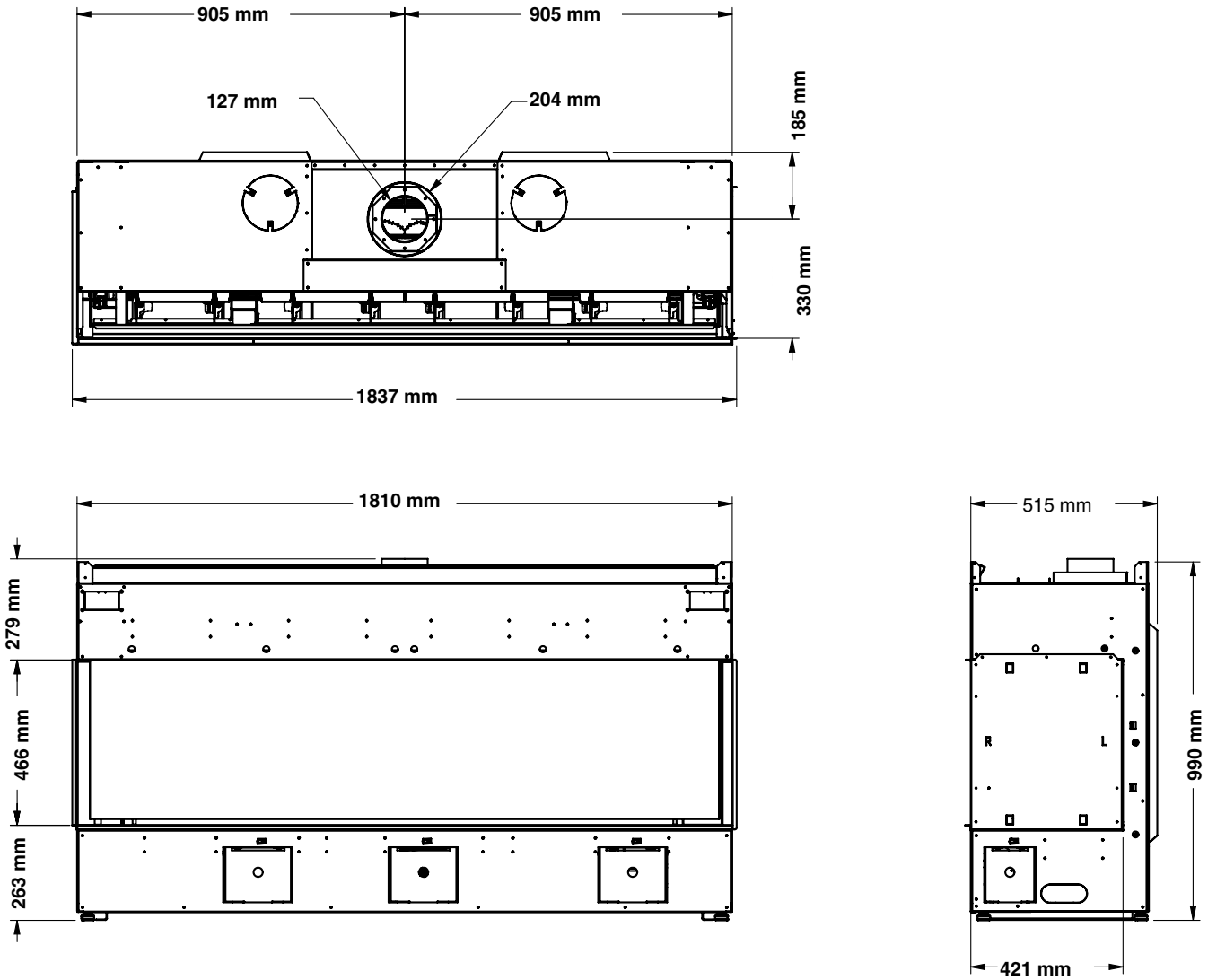


Note: Height dimension is taken with leveling legs fully inserted. Height may vary depending on the length of the leveling legs when unscrewed or extended.

**Note: These units are non load bearing.**

**ALL PICTURES / DIAGRAMS SHOWN THROUGHOUT THIS MANUAL ARE FOR ILLUSTRATION PURPOSES ONLY. ACTUAL PRODUCT MAY VARY DUE TO PRODUCT ENHANCEMENTS.**

**Dimensions - Corner Install**



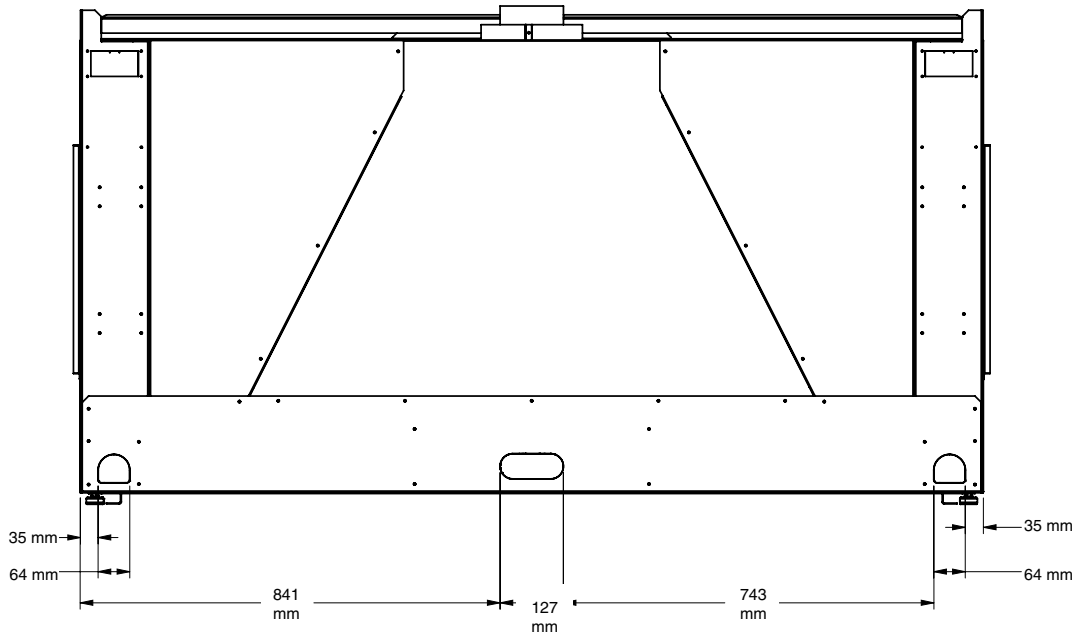
Note: Height dimension is taken with leveling legs fully inserted. Height may vary depending on the length of the leveling legs when unscrewed or extended.

**Note: These units are non load bearing.**

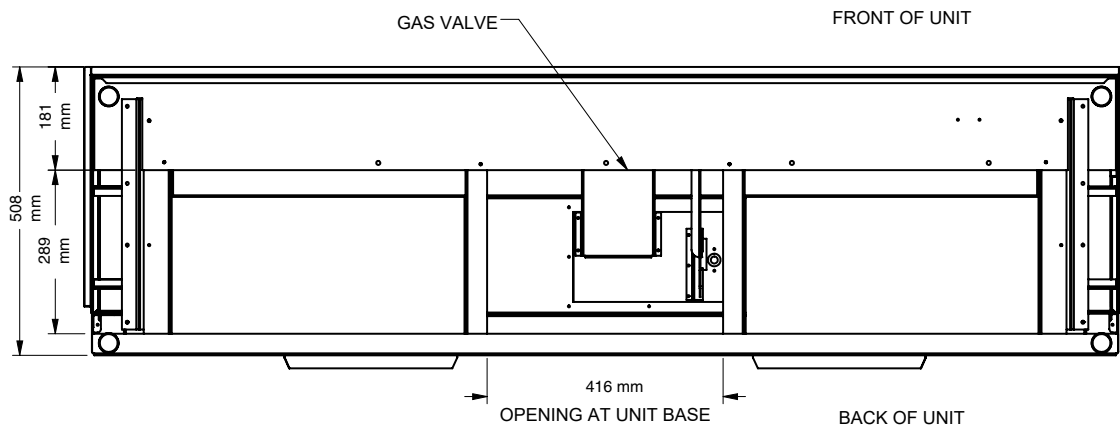
ALL PICTURES / DIAGRAMS SHOWN THROUGHOUT THIS MANUAL ARE FOR ILLUSTRATION PURPOSES ONLY. ACTUAL PRODUCT MAY VARY DUE TO PRODUCT ENHANCEMENTS.

# dimensions

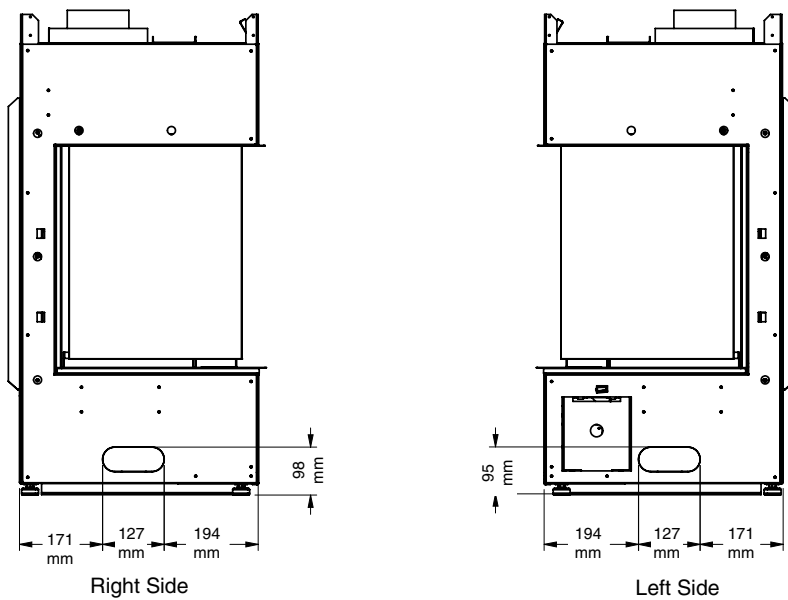
## Gas Connection - Back of Unit



## Gas Connection - Bottom of Unit

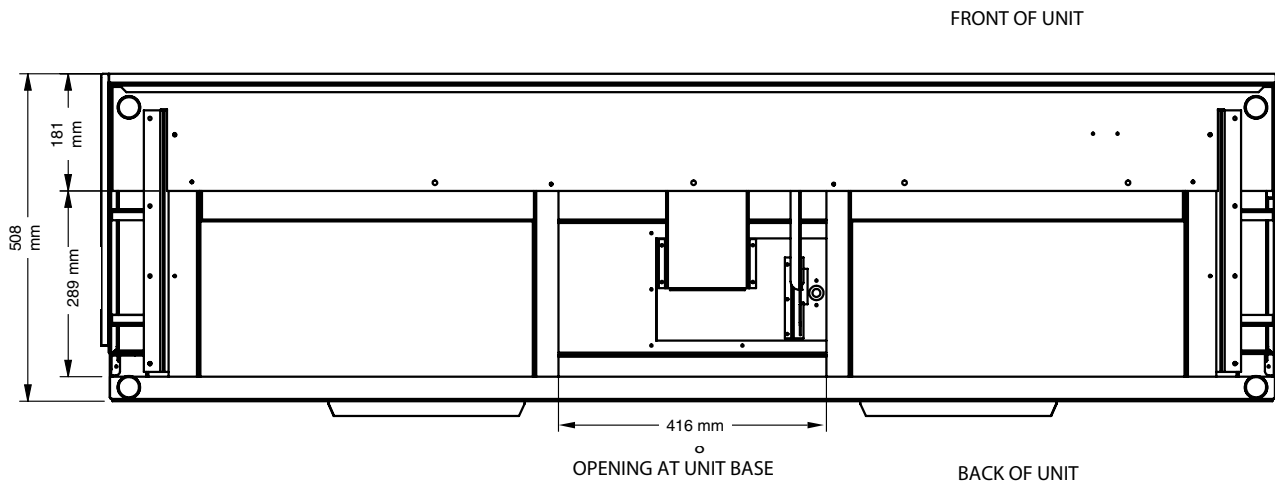


## Gas Connection - Side of Unit

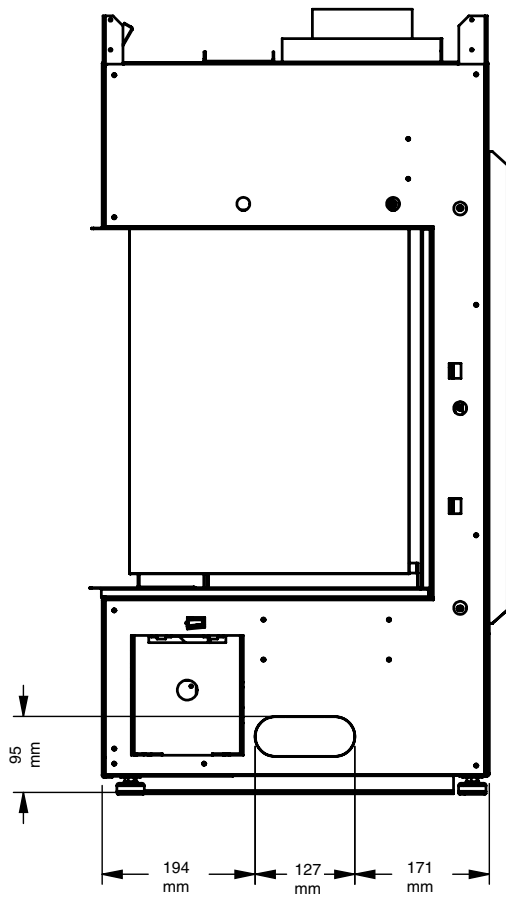




### Electrical Connection - Bottom of Unit



### Electrical Connection - Side of Unit



RIGHT SIDE

# owner's information

## Important Message

### SAVE THESE INSTRUCTIONS

City Line direct vent fireplaces must be installed in accordance with the instructions in this manual; carefully read them first. Consult the "authority having jurisdiction" in your area to determine the need for a permit prior to starting the installation. It is the responsibility of the installer to ensure this fireplace is installed in compliance with manufacturer's instructions, all applicable codes, and AS/NZS 5601.

## Before You Start

Safe installation and operation of this appliance requires common sense. However, we are required by the Canadian Safety Standards and ANSI Standards to make you aware of the following:

**INSTALLATION AND REPAIR SHOULD BE DONE BY AN AUTHORIZED SERVICE PERSON. THE APPLIANCE SHOULD BE INSPECTED BEFORE USE AND AT LEAST ANNUALLY BY A PROFESSIONAL SERVICE PERSON. MORE FREQUENT CLEANING MAY BE REQUIRED DUE TO EXCESSIVE LINT FROM CARPETING, BEDDING MATERIAL, ETC. IT IS IMPERATIVE THAT CONTROL COMPARTMENTS, BURNERS, AND CIRCULATING AIR PASSAGEWAYS OF THE APPLIANCE ARE KEPT CLEAN.**

**DUE TO HIGH TEMPERATURES, THE APPLIANCE SHOULD BE LOCATED AWAY FROM HOUSEHOLD TRAFFIC, FURNITURE, AND DRAPERIES.**

**WARNING: FAILURE TO INSTALL THIS APPLIANCE CORRECTLY WILL VOID YOUR WARRANTY AND MAY CAUSE A SERIOUS HOUSE FIRE.**



**CHILDREN AND ADULTS SHOULD BE ALERTED TO THE HAZARDS OF HIGH SURFACE TEMPERATURES, ESPECIALLY ON THE FIREPLACE GLASS, AND SHOULD STAY AWAY TO AVOID BURNS OR CLOTHING IGNITION.**

**YOUNG CHILDREN SHOULD BE CAREFULLY SUPERVISED WHEN THEY ARE IN THE SAME AREA AS THE APPLIANCE. TODDLERS, YOUNG CHILDREN, AND OTHERS MAY BE SUSCEPTIBLE TO ACCIDENTAL CONTACT BURNS. A PHYSICAL BARRIER IS RECOMMENDED IF THERE ARE AT-RISK INDIVIDUALS IN THE HOUSE. TO RESTRICT ACCESS TO A FIREPLACE OR STOVE, INSTALL AN ADJUSTABLE SAFETY GATE TO KEEP TODDLERS, YOUNG CHILDREN AND OTHER AT-RISK INDIVIDUALS OUT OF THE ROOM AND AWAY FROM HOT SURFACES.**

**CLOTHING OR OTHER FLAMMABLE MATERIAL SHOULD NOT BE PLACED ON OR NEAR THE APPLIANCE.**

**A BARRIER DESIGNED TO REDUCE THE RISK OF BURNS FROM THE HOT VIEWING GLASS IS PROVIDED WITH THIS APPLIANCE AND SHALL BE INSTALLED FOR THE PROTECTION OF CHILDREN AND OTHER AT-RISK INDIVIDUALS.**

**ANY SAFETY SCREEN, GUARD, OR BARRIER REMOVED FOR SERVICING THE APPLIANCE MUST BE REPLACED PRIOR TO OPERATING THE APPLIANCE.**

**IF THE BARRIER BECOMES DAMAGED, THE BARRIER SHALL BE REPLACED WITH THE MANUFACTURER'S BARRIER FOR THIS APPLIANCE.**

**WE RECOMMEND REMOVING THE GLASS WITH THE GLASS VACUUM HOLDERS SUPPLIED BY THE MANUFACTURER. LOWER THE GLASS TO REST IN A SAFE PLACE. THIS IS TO PREVENT DAMAGE TO THE GLASS EDGES. EXTRA CARE MUST BE TAKEN WHEN REMOVING/INSTALLING THE GLASS. BREAKAGE OR DAMAGE TO THE EDGE OF THE GLASS WHICH OCCURS AS A RESULT OF CARELESS HANDLING WILL NOT BE COVERED UNDER WARRANTY.**

**"THIS UNIT MUST ALWAYS TERMINATE / FLUE DIRECTLY TO THE OUTDOORS."**

## First Fire

The **FIRST FIRE** in your fireplace is part of the paint curing process. To ensure that the paint is properly cured, it is recommended that you burn your first fire for at least four (4) hours.

When first operated, the unit will release an odour caused by the curing of the paint and the burning off of any oils remaining from manufacturing. Smoke detectors in the house may go off at this time. Open a few windows to ventilate the room for a couple of hours. The glass may require cleaning.

NOTE: When the glass is cold and the appliance is lit, condensation may result and fog the glass. This condensation is normal and will disappear in a few minutes as the glass heats up.

**DO NOT ATTEMPT TO CLEAN THE GLASS WHILE IT IS STILL HOT!**

**DO NOT BURN THE UNIT WITHOUT THE GLASS IN PLACE.**

**During the first few fires, a white film may develop on the glass front as part of the curing process. The glass should be cleaned after the unit has cooled down or the film will bake on and become very difficult to remove. Use a non-abrasive cleaner and DO NOT ATTEMPT TO CLEAN THE GLASS WHILE IT IS HOT.**

NOTE:

"NOT INTENDED FOR USE AS A FIRE-PLACE INSERT. DO NOT INSTALL IN A FIREPLACE."

## Normal Operating Sounds Of Gas Appliances

You may hear some sounds emanating from your gas appliance. This is normal and due to the various gauges and types of steel used on your appliance. Some examples are listed below. All are **normal operating sounds** and should not be considered appliance defects.

### Burner Tray:

The burner tray is positioned directly under the burner tube(s) media and logs and is made of a different gauge of steel from the rest of the firebox and body. The varied thicknesses of steel will expand and contract at slightly different rates which can cause "ticking" and "cracking" sounds. As the temperature changes within the unit, these sounds will likely recur. Again, this is normal for steel fireboxes.

### Pilot Flame:

While the pilot flame is on, it may make a barely audible whispering sound.

### Gas Control Valve:

As the gas control valve turns on and off, a dull clicking sound may be audible. This is part of the normal operation of a gas regulator or valve.

### Unit Body/Firebox:

Different types and thicknesses of steel will expand and contract at different rates resulting in some "cracking" and "ticking" sounds that will be heard throughout the cycling process.

# owner's information

## Lighting Procedure

**IMPORTANT:** The remote control system supplied with this appliance has several options for starting/operating the appliance using the battery holder and ON/OFF key on the hand held transmitter.

Prior to operating this appliance, please read the remote control operating instructions (packaged with remote control) to understand how to operate this remote control system.

1. Ensure the battery holder switch is in the Remote position and / or wall mounted battery holder (if equipped) is in the <REMOTE> position.
2. Press and release the ON/OFF button on the remote handheld transmitter (see Diagram 1). An audible beep should be heard from the receiver. If not using the remote, the unit can also be turned on by sliding the battery holder switch to the <ON> position (if equipped).



Diagram 1  
Remote shown in Manual Mode on Hi

3. After approximately 4 seconds the spark ignition system will spark for 60 seconds to light the pilot.
4. The unit will turn on.



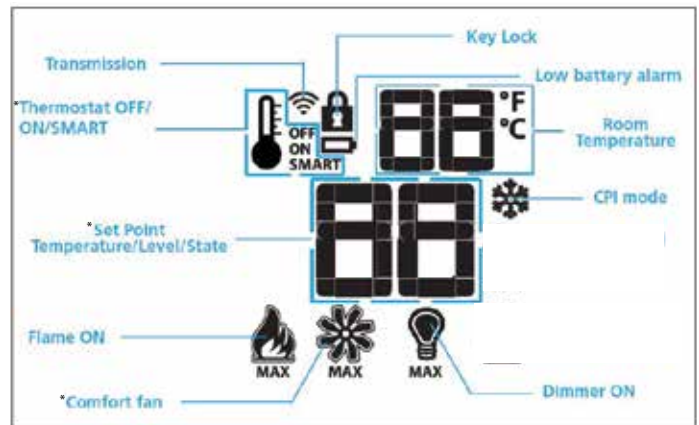
**Note:** The first try for ignition will last approximately 60 seconds. If there is no flame ignition (rectification) the board will stop sparking for approximately 35 seconds. After wait time, the board will start second try for ignition by sparking for approximately 60 seconds. If there is still no positive ignition the board will go into lock out.

The system will need to be reset as follows:

- a) Turn the system off by pressing the ON/OFF button on the remote.
- b) Wait 5 minutes then repeat from step 2.

## Shutdown Procedure

1. Press the ON/OFF button on the remote
2. If service is to be performed- you must disconnect power and shut off gas to the unit.



\* Not offered on all models.

Continuous Pilot/Intermittent Pilot (CPI/IPI) **selection**

See remote control instructions for details.

## Copy of the Lighting Plate Instructions

**FOR YOUR SAFETY READ BEFORE LIGHTING****SUITABLE ONLY FOR INDOOR INSTALLATION**

This appliance must be installed in accordance with local codes, if any. If none, follow the current AS/INZS 5601.

**WARNING:** If you do not follow these instructions exactly, a fire or explosion may result causing property damage, personal injury or loss of life. Improper installation, adjustment, alteration, service or maintenance can cause injury or property damage. Refer to the owner's information manual provided with this appliance. For assistance or additional information consult a qualified installer, service agency, or gas supplier.

A) **BEFORE LIGHTING** smell all around the appliance area for gas. Be sure to smell next to the floor because some gas is heavier than air and will settle on the floor.

**WHAT TO DO IF YOU SMELL GAS**

- Do not try to light any appliance
- Do not touch any electric switch, do not use any phone in your building
- Immediately call your gas supplier from a neighbors phone. Follow the gas supplier's instructions.
- If you cannot reach your gas supplier, call the fire department.

B) Do not use this appliance if any part has been under water. Immediately call a qualified service technician to inspect the appliance and to replace any part of the control system and any gas control which has been under water.

This appliance needs fresh air for safe operation and must be installed so there are provisions for adequate combustion and ventilation air.

**CAUTION:** Hot while in operation. Do not touch. Severe Burns may result. Due to high surface temperatures keep children, clothing and furniture, gasoline and other liquids having flammable vapors away. Keep burner and control compartment clean. See installation and operating instructions accompanying appliance.

**LIGHTING INSTRUCTIONS**

**STOP!** Read the safety information above on this label.

- 1) Ensure the Main switch is in the ON position and/or the wall mounted battery holder (if equipped) is in the <REMOTE> position.
  - 2) Press and release the ON/OFF button on the remote handheld transmitter. An audible beep should be heard from the receiver. If not using the remote, the unit can also be turned on by sliding the battery holder switch to the <ON> position (if equipped).
  - 3) After approximately 4 seconds the spark ignition system will spark for 60 seconds to light the main burner.
  - 4) The unit will turn on.
- Note: The first attempt to ignition will last approximately 60 seconds. If there is no flame ignition (rectification) the board will stop sparking for approximately 35 seconds. After this wait time, the board will start a second try for ignition by sparking for approximately 60 seconds. If there is still no positive ignition after the second attempt the board will go into lock out. The system will need to be reset as follows (after going into lock out mode):
- a) Wait 5 minutes - turn the system off by pressing the ON/OFF button on the remote.
  - b) After approximately 2 seconds, press the ON/OFF button again.
  - c) Unit will repeat step 2.

**TO TURN OFF GAS APPLIANCE**

1. Press the ON/OFF button once.
2. Turn off all electric power to the unit if service is to be performed.

**DO NOT REMOVE THIS INSTRUCTION PLATE**

920-307

## Proflame II Remote Control Operating Instructions

**IMPORTANT:** The Proflame Transmitter 2 is an integrated part of the Proflame 2 System, which consists of these elements:

- Proflame 2 Transmitter, to be used in conjunction with:
- Integrated Fireplaces Control (Proflame 2 IFC)

The Proflame 2 Transmitter provides for controlling the following hearth appliance functions:

1. Main Burner On/Off
2. Main Burner flame modulation (6 levels)
3. Choice of standing or intermittent pilot (CPI/IPI)
4. Thermostat and Smart thermostat functions
5. Accent light modulation (6 levels)\*\*
6. Split flow valve\*\*
7. Comfort Fan speed modulation (6 levels)\*\*

\*\* This feature is not available on any Hampton models.

The Proflame Transmitter uses a streamline design with a simple button layout and informative LCD display (Fig. 1). A Mode Key is provided to index between the features and a Thermostat Key is used to turn on/off or index through Thermostat functions (Fig. 1 & 2). Additionally, a Key Lock feature is provided (Fig. 22).



Figure 1: Proflame Transmitter

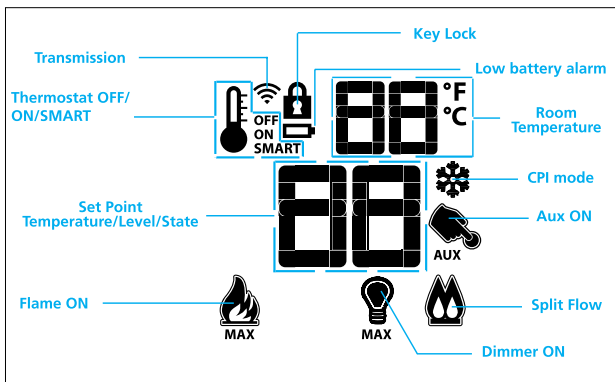


Figure 2: Transmitter LCD Display



TECHNICAL DATA REMOTE CONTROL	
Supply Voltage	4.5V (three 1.5V AAA batteries)
Ambient temperature ratings	0 - 50°C (32 - 122°F)
Radio Frequency	433.92.MHZ

**WARNING: THE TRANSMITTER AND IFC ARE RADIO FREQUENCY DEVICES.**

### ATTENTION!

- Turn "OFF" the main gas supply of the appliance during installation or maintenance of the IFC.

- Turn "OFF" main gas supply to the appliance prior to removing or reinserting the batteries.

- In case of remote control malfunction, turn off the IFC device using the "ON/OFF" main switch.

- For installation / maintenance, switch off the IFC device removing main power supply plug.

This appliance requires coding/pairing of the remote control and IFC (Integrated Fireplace Control). See remote/IFC coding/pairing instructions found in this manual.

### Pairing the remote control to remote receiver/battery holder (if required)

Power the receiver. Press the PRG button located on the top right hand corner of the receiver - see the receiver instruction marked (\*). The receiver will beep three times to indicate that it is ready to synchronize with a transmitter. Install the 3 AAA type batteries in the transmitter battery bay, located on the base of the transmitter (fig. 3). With the batteries already installed in the transmitter, push the ON button. The receiver's command is accepted and sets to the particular code of that transmitter. The system is now initialized.

(\*) The receiver may be independent or integral jto the IFC hearth appliance control module. The receiver instruction may not be independent when part of the IFC.



Figure 3: Battery Compartment

### Temperature indication Display

With the system in the "OFF" position, press the Thermostat Key and the Mode Key at the same time. Look at the LCD screen on the transmitter to verify that a C or F is visible to the right of the room temperature display (Figures 4 & 5).

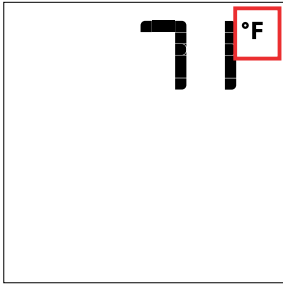


Figure 4: Remote Control display in Fahrenheit.

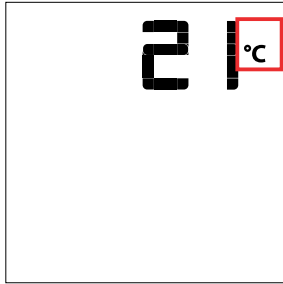


Figure 5: Remote Control display in Celsius.

### Turn on the Appliance

With the system OFF, press the ON/OFF Key on the Transmitter. The Transmitter display will show some other active icons on the screen. At the same time the IFC will activate the appliance. A single "beep" from the IFC will confirm reception of the command.

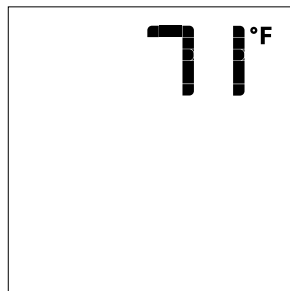


Figure 6: Remote Control display

### Turn off the Appliance

With the system ON, press the ON/OFF Key on the Transmitter. The Transmitter LCD display will only show the room temperature (Fig. 6). At the same time the IFC will turn off the appliance. A single "beep" from the IFC confirms reception of the command.

### Remote-Flame Control

The Proflame has six (6) flame levels. With the system on, and the flame level at the maximum in the appliance, pressing the Down Arrow Key once will reduce the flame height by one step until the flame is turned off. The Up Arrow Key will increase the flame height each time it is pressed. If the Up Arrow Key is pressed while the system is on but the flame is off, the flame will come on in the high position. ( Fig. 7 & 8 ) A single "beep" will confirm reception of the command.

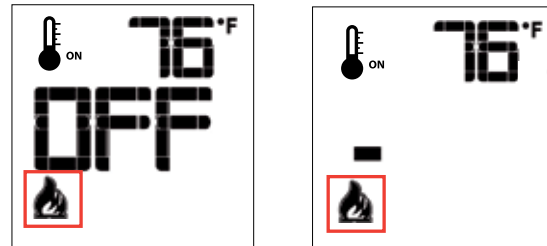


Fig. 7

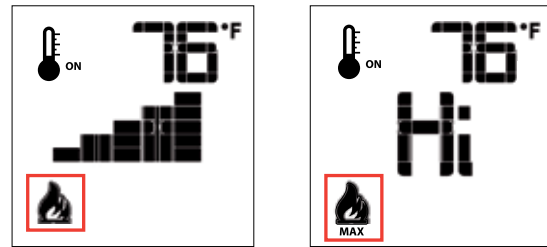


Fig. 8

### Room Thermostat (Transmitter Operation)

The Remote Control can operate as a room thermostat. The thermostat can be set to a desired temperature to control the comfort level in a room. To activate this function, press the Thermostat Key (Fig. 1). The LCD display on the Transmitter will change to show that the room thermostat is "ON" and the set temperature is now displayed (Fig. 9). To adjust the set temperature, press the Up or Down Arrow Keys until the desired set temperature is displayed on the LCD screen of the Transmitter.

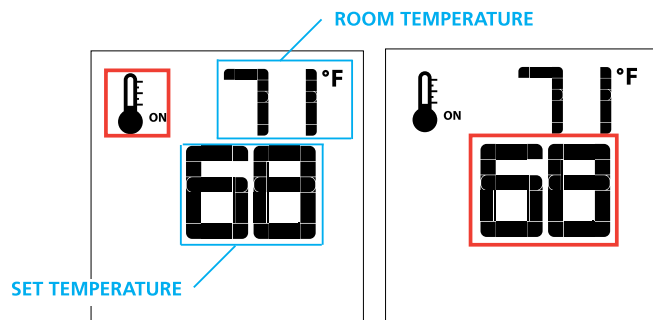


Figure 9

Figure 10

# owner's information

## Smart Thermostat (Transmitter Operation)

The Smart Thermostat function adjusts the flame height in accordance to the difference between the set point temperature and the actual room temperatures. As the room temperature gets closer to the set point the Smart Function will modulate the flame down.

To activate this function, press the Thermostat Key (Fig. 1) until the word "SMART" appears to the right of the temperature bulb graphic (Fig. 11). To adjust the set temperature, press the Up or Down Arrow Keys until the desired set temperature is displayed on the LCD screen of the Transmitter (Fig. 12).

Note. When Smart Thermostat is activated, manual flame height adjustment is disabled.

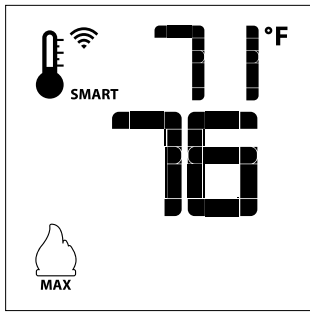


Figure 11: Smart Flame Function

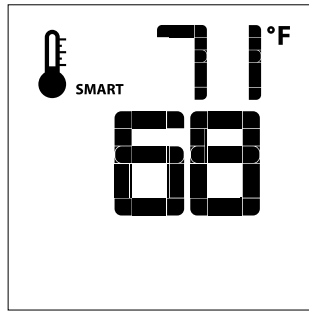


Figure 12

## Remote dimmer control (Light)\*\*

The auxiliary function controls the AUX power outlet by the dimmable light control. To activate this function use the Mode Key (fig. 1) to index to the AUX icon (fig. 15 & 16).

The intensity of the output can be adjusted through six (6) levels. Use the Up/Down Arrow Keys (Fig.1) adjust the output level (Fig. 16). A single "beep" will confirm reception of the command.

**Note:** This function is available only with the IFC Control Module.

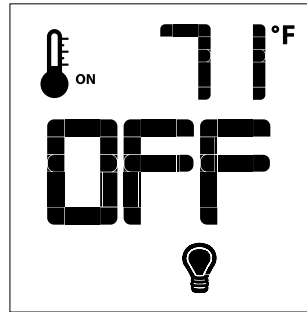


Figure 15

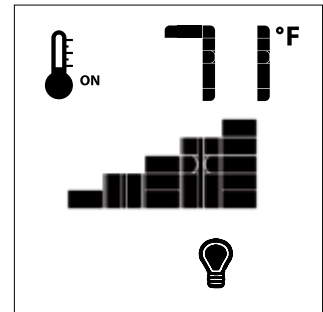


Figure 16

## Fan Speed Control\*\*

If the appliance is equipped with a hot air circulating fan, the speed of the fan can be controlled by the Proflame system. The fan speed can be adjusted through six (6) speeds. To activate this function use the Mode Key (fig.1) to index to the fan control icon (Fig. 13). Use the Up/Down Arrow Keys (fig.1) to turn on, off or adjust the fan speed (fig. 14). A single "beep" will confirm reception of the command.



Figure 13

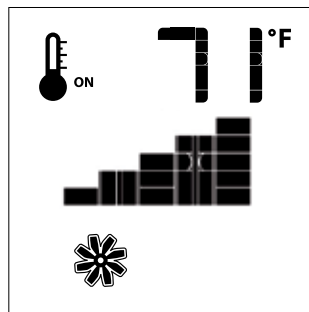


Figure 14

## Split Flow control\*\*

The secondary burner is controlled by the split Flow. To activate this function use the Mode Key (fig. 1) to index to the SPLIT FLOW mode icon (fig. 17 & 18).

Pressing the Up Arrow Key will activate the secondary burner. Pressing the Down Arrow Key will turn the secondary burner off. A single "beep" will confirm the reception of the command.

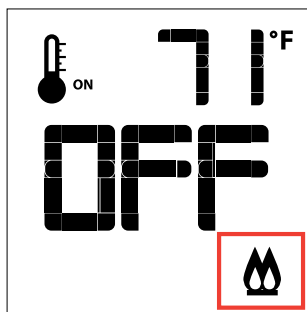


Figure 17

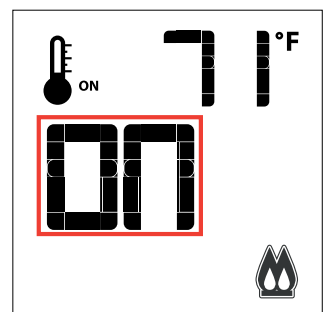


Figure 18



## Continuous Pilot/Intermittent Pilot (CPI/IPI) selection

**Note: Power vent models do not have a Continuous Pilot option.**

With the system in "OFF" position press the Mode Key (fig. 1) to index to the CPI mode icon (fig. 19 & 20).

Pressing the Up Arrow Key will activate the Continuous Pilot Ignition mode (CPI). Pressing the Down Arrow Key will return to IPI. A single "beep" will confirm the reception of the command.

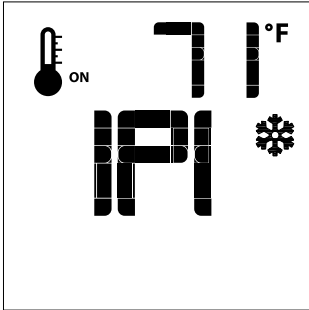


Figure 19

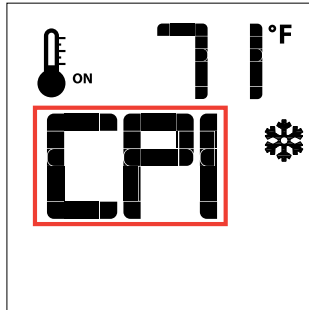


Figure 20

## CPI/IPI Switch

This appliance comes equipped with a CPI/IPI switch. The functions of both the CPI/IPI switch are as follows:

**Continuous pilot (CPI)** - A pilot that when in operation, is intended to remain continuously ignited until it is manually interrupted.

**Intermittent pilot (IPI)** - A pilot that is automatically ignited when an appliance is called on to operate and which remains continuously ignited during each period of main burner operation. The pilot is automatically extinguished when each main burner operating cycle is completed. The mode of the fireplace is easily changed from an intermittent pilot ignition system (IPI) to a continuous pilot ignition system (CPI) by using remote control as noted above.

The benefits of having as CPI are as follows:

- Keeps venting primed for trouble free start-up under colder weather conditions or inversions.
  - Keeps the unit glass warm, which decreases the amount of condensation on start-up
  - Provides owners with flexibility to choose a traditional continuous pilot.
- The primary benefit of having the IPI function is a significant savings on fuel as the pilot will only run when there is a call for heat.

**Thermostat icon:** If the thermostat icon is not present on the remote transmitter, follow instructions noted below:

1. Remove one battery from the remote.
2. Press and hold down the Thermostat button on the remote.
3. Reinstall the battery (removed in Step 1) while still holding down thermostat button.
4. If you see "Set" the thermostat option is now enabled. If you see "Clr" the thermostat option is now disabled.
5. Repeat the procedure if the "Set" or "Clr" to remove or add the option back to the remote did not appear.

Enable all other functions if not present on the remote transmitter, follow instructions noted below:

1. Remove one battery from remote.
2. Press and hold both the **ON/OFF** and **MODE** button at the same time .
3. Reinstall battery removed in Step 1 while holding both buttons—keep holding buttons, then release the **MODE** button only.
4. The screen will show either "Clr" or "Set" as the first option available is to disable or enable a mode.

5. "Clr" will remove a mode—use the up or down arrow while holding down **ON/OFF** and **MODE** (mode icon will disappear once removed).
6. Use the "MODE" button to move to the next function.
7. "Set" will add a mode —use the up or down arrow while holding down **ON/OFF** and **MODE** (mode icon will appear when added).
8. Use the "MODE" button to move to the next function.

**Note:** You should never program out the fan (if installed) or CPI/IPI mode on the remote.

## Key Lock

This function will lock the keys to avoid unsupervised operation.

To activate this function, press the MODE and UP Keys at the same time (fig. 21).

To de-activate this function, press the MODE and UP Keys at the same time.

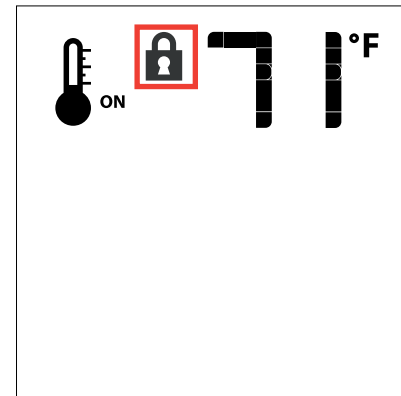


Figure 21

## Low Battery Power Detection

### Transmitter

The life span of the remote control batteries depends on various factors: quality of the batteries used, the number of ignitions of the appliance, the number of changes to the room thermostat set point, etc.

When the Transmitter batteries are low, a Battery Icon will appear on the LCD display of the Transmitter (Fig. 22) before all battery power is lost. When the batteries are replaced this Icon will disappear.

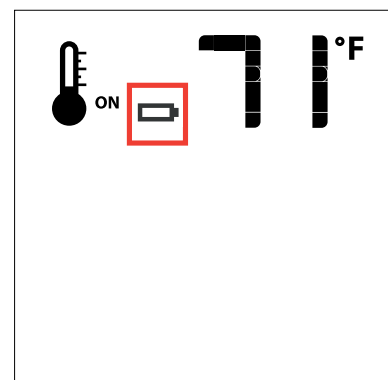


Figure 22

# owner's information

## Proflame II Battery Holder Battery Replacement & Battery Back Up if 240 Volt Power is lost

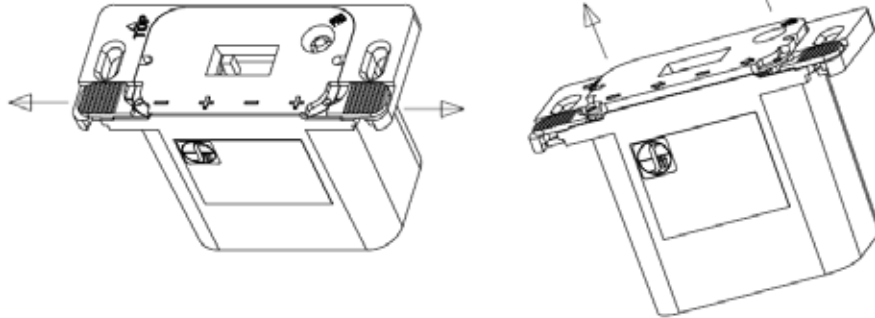
How to replace/add the batteries on battery holder (Proflame 2).

Note : If a wall switch cover plate is installed, first remove cover plate by removing 2 small phillips head screws

### STEP 1

Move both the left/right slides as shown below.

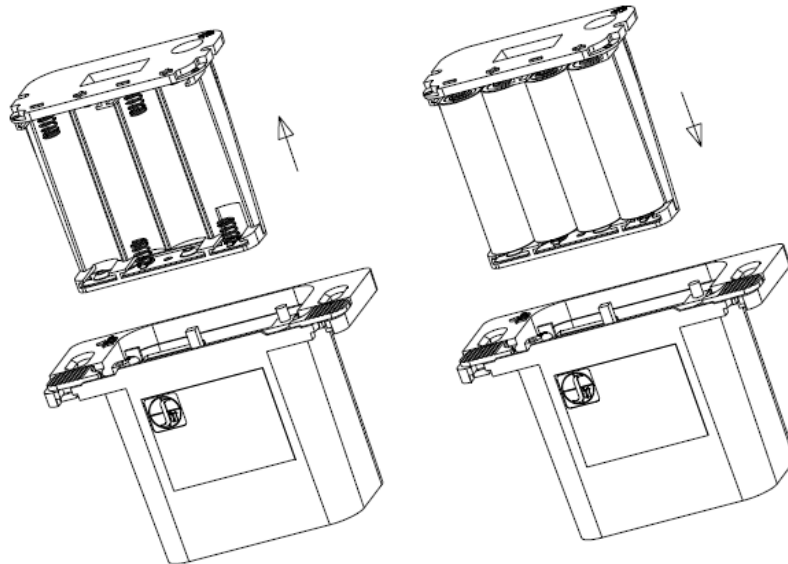
The battery compartment will be pushed out slightly, to allow to easily extract it



### STEP 2

Extract the battery compartment from the remote receiver/battery holder

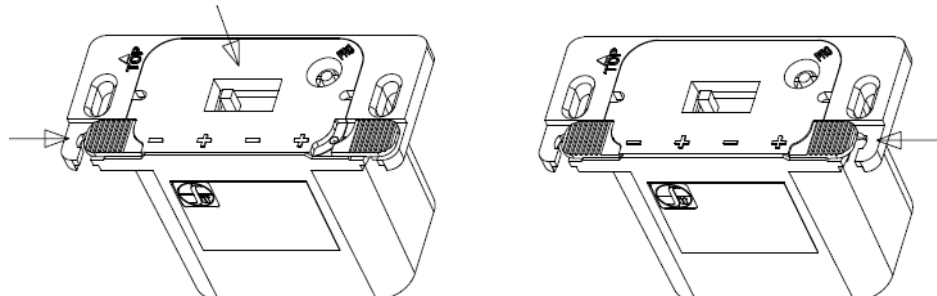
Replace 4 x AA batteries and insert the battery compartment back into remote receiver/battery holder



### STEP 3

Keeping the battery compartment pressed in, close the left slide

Close the right slide



STEP 4 Reinstall wall cover plate with 2 Phillips head screws.

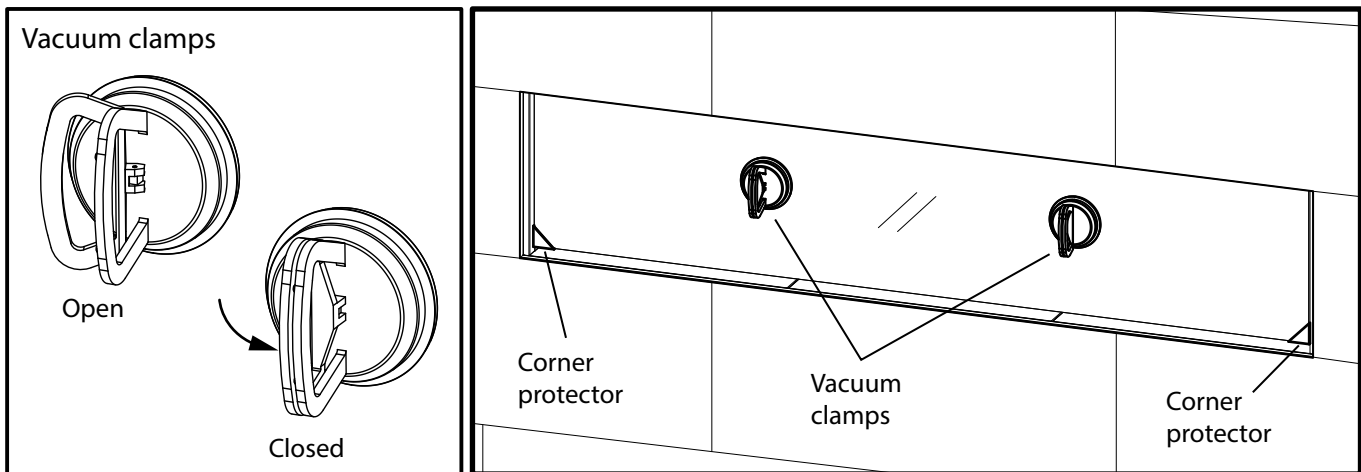
## Front & Side Glass Barrier Removal

Note: Only the front glass barrier is shown in diagrams - follow same procedure for side glass barrier removal.

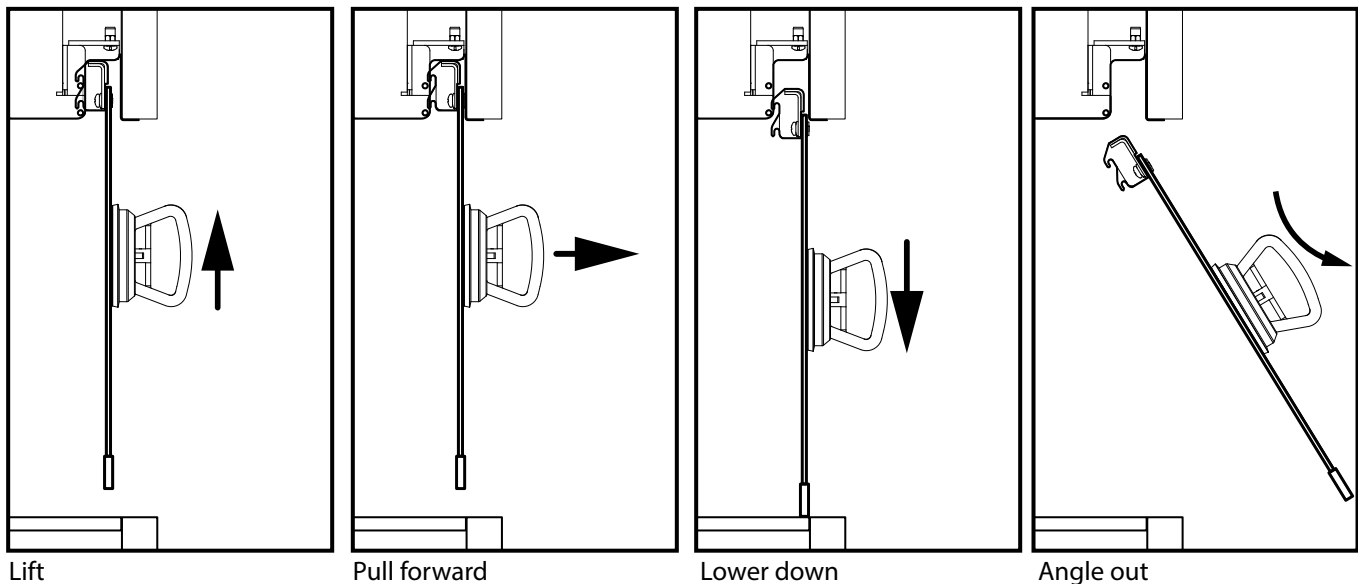
[Glass barrier removal video](#)



1. Prepare a soft, scratch resistant surface to place the glass (i.e. large sheet or clean drop cloth).
2. Attach the vacuum clamps to the glass as shown. Press the vacuum clamps against the glass, then close the clamps while maintaining pressure on the glass.
3. Slide the corner protectors onto the bottom corners of the glass. If you don't have these, place a soft cloth or piece of cardboard under the glass barrier to protect the corners during removal.



4. Using the vacuum clamps, lift the barrier straight up, pull it toward you, then gently lower it straight down (see below).

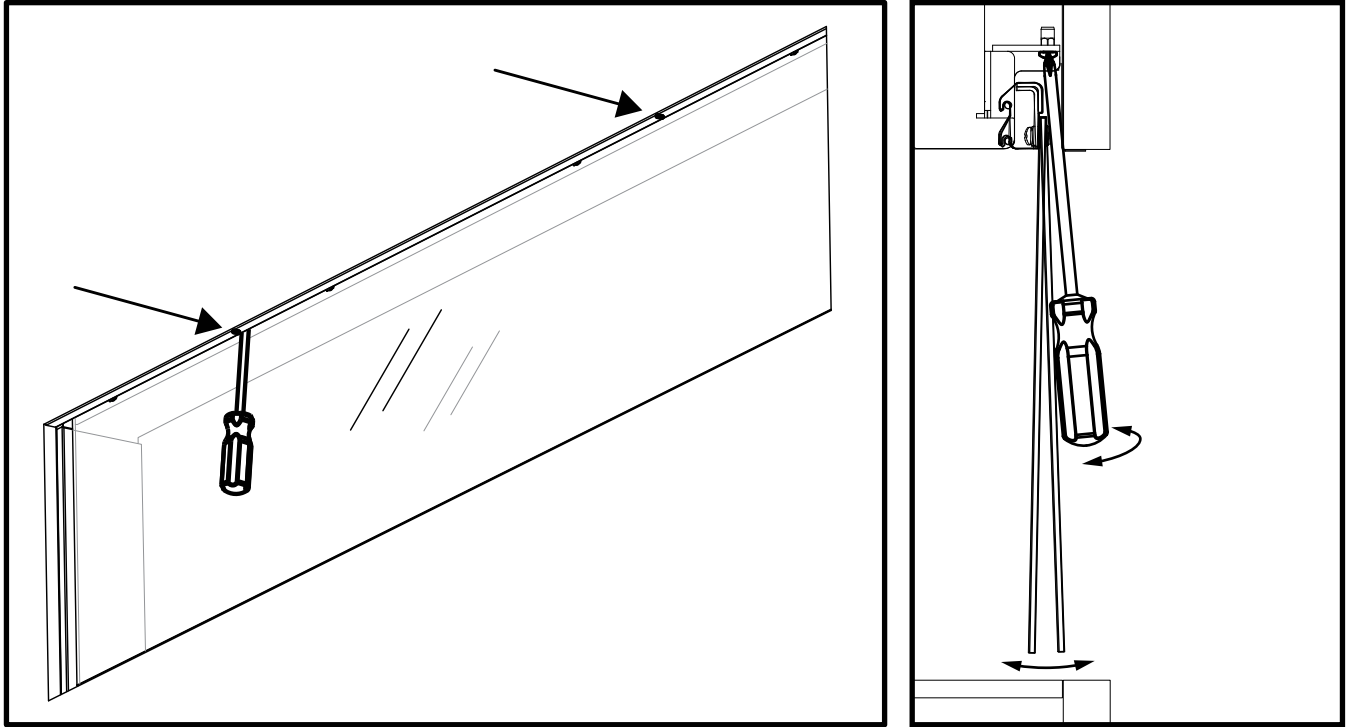


5. Angle the bottom edge toward you and carefully lift the glass barrier out, placing it on your prepared soft, scratch resistant surface (i.e. drop cloth).
6. To reinstall, reverse steps.

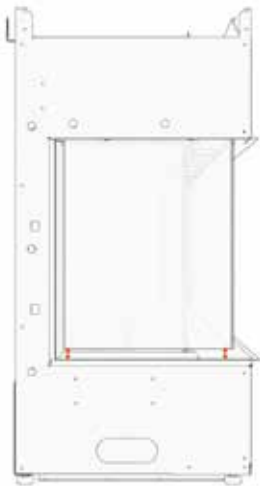
# owner's information

## Glass Barrier Adjustment

If glass isn't hanging straight, use a phillips screwdriver to adjust the angle.  
Clockwise = angles barrier out toward you  
Counter clockwise = angles barrier in towards the unit.



Slide the screwdriver straight up at the two indicator slots.



If side glass height needs adjustment, follow the next step.



To adjust the side glass, remove the screws at the top of the panel and move the glass up or down. When the glass is in the correct position, replace and tighten the screws.

## Inner Glass Panel Installation / Removal

Note: glass panels must be installed to operate fireplace

### WARNING: GLASS HANDLING

We recommend using the glass vacuum holders supplied by the manufacturer. Lower the glass to rest in a safe place to prevent damage to the glass edges. Extra care must be taken when removing/installing the glass. Breakage or damage to the edge of the glass which occurs as a result of careless handling is not covered under warranty.

- We recommend handling the glass with the supplied vacuum clamps.
- When removing the glass, prepare a soft, scratch-resistant surface on which to place the 1554 mm x 504 mm glass.
- Never clean or remove hot glass.

**Note:** The suction cups may leave a round film on the glass when used. Ensure that the glass is cleaned using a fireplace glass cleaner after each removal and prior to operating the appliance.

1. Remove outer safety barrier glass panels if previously installed—see instructions in this manual.

2. Remove outer panels installed in unit - see panel removal section in this manual.

Press glass vacuum clamps in open position firmly onto surface of glass. Bring handles together to close.



Open



Closed



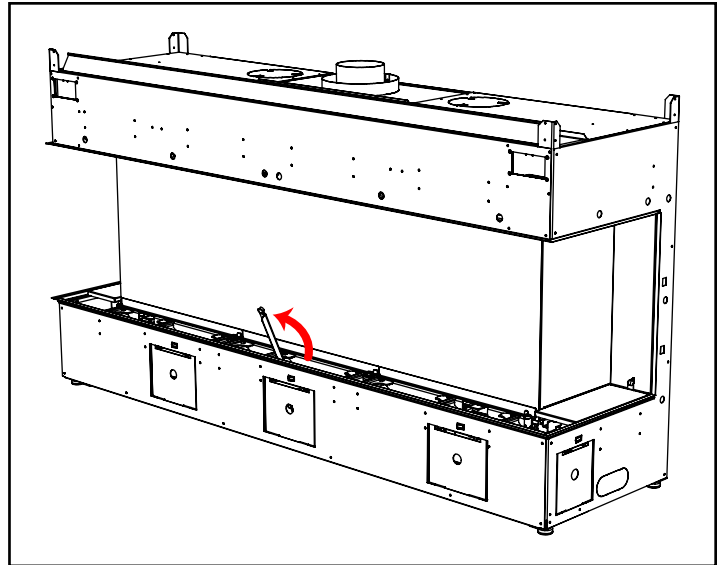
Handle glass with supplied vacuum clamps



[Glass removal video](#)

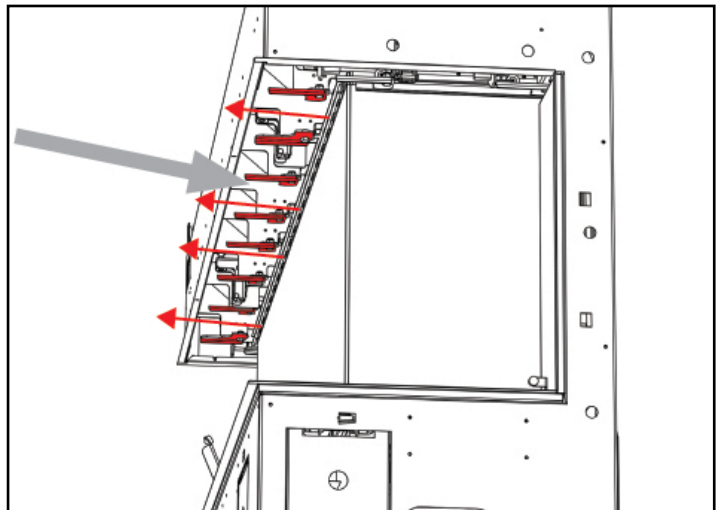
**Note--the following installation diagrams do not include the vacuum clamps but it is strongly recommended to use clamps at all times when handling the firebox glass.**

3. From the front inside lower panel of the unit--pivot the glass support into upright position as shown below.

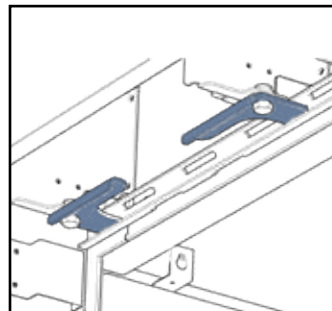


Glass supports in upright position

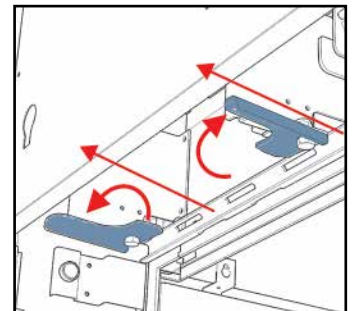
4. Open the 8 clamps at the top of the glass.



With the top clamps in open position, use your hands to pull the two glass gasket rails towards you.



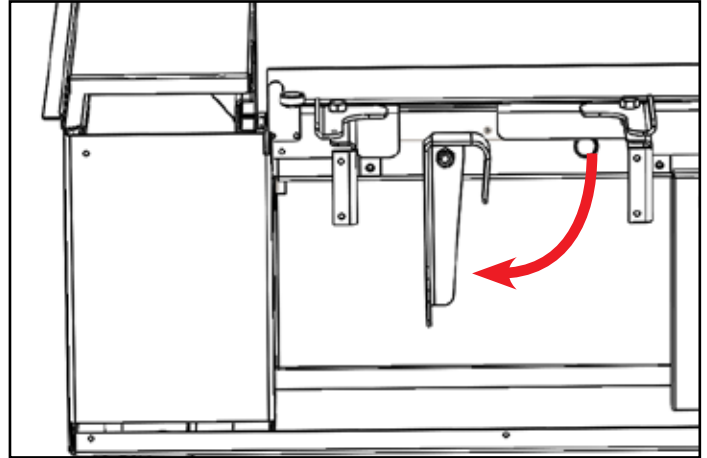
Clamps in closed position



Clamps in open position, rail pulled forward

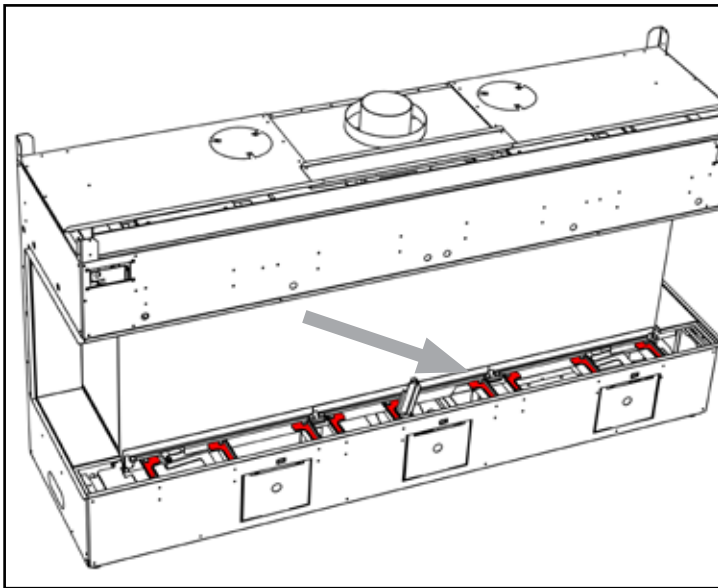
# owner's information

5. Pull the 3 lower glass gasket pads forward to release the glass.



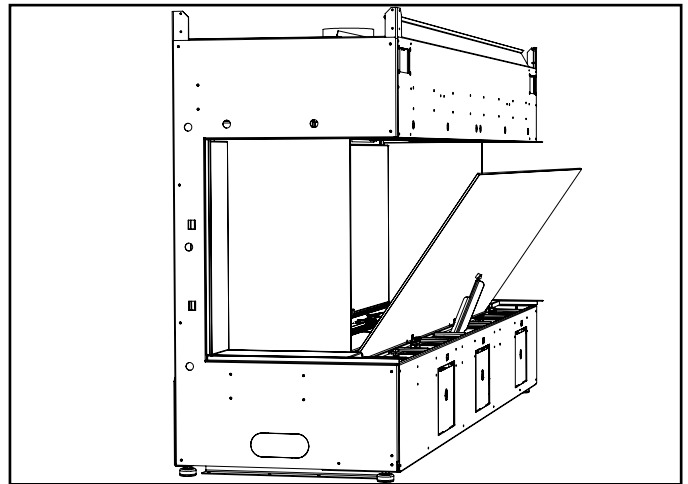
*Push down on levers to lower glass panel*

6. Support the glass with one hand and open the 9 lower clamps.



*Lower clamps (x9) in open position*

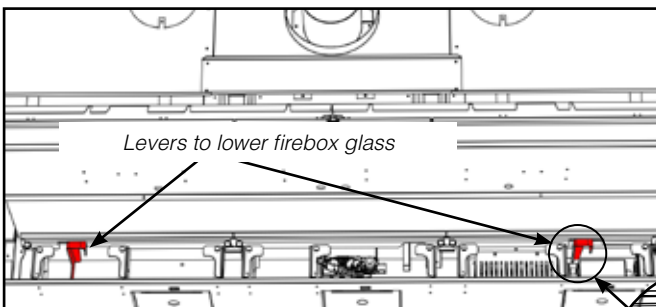
8. Carefully lean glass forward onto support.



*Glass panel--leaning on support*

**NOTE:** The firebox glass may remain propped on the glass supports to clean the interior surface. Use care when cleaning -- do not apply excessive force or pressure.

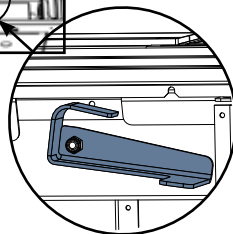
7. Locate the 2 levers below the glass and turn them both 90° in a clockwise direction to lower the firebox glass panel.



9. **To remove the firebox glass panel from the unit:** tilt the glass forward gently onto the glass supports, grip both suction clamps and lift the glass up and out of the unit.

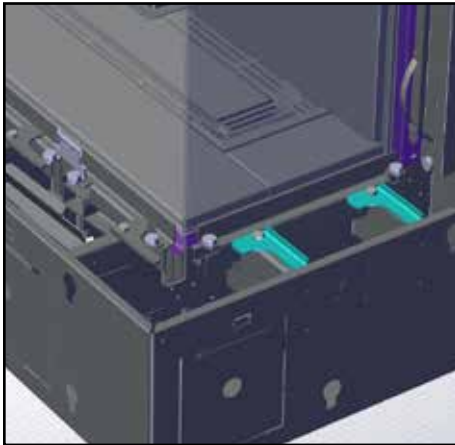
10. To install glass--reverse steps.

**IMPORTANT:** Remove glass panel completely when installing or removing panels, logs, media, etc. to avoid causing any damage to the glass.



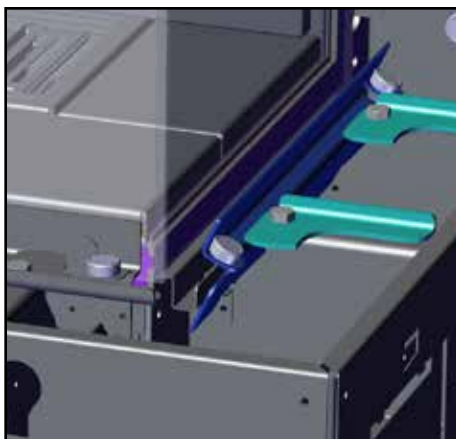
## Inner Glass Panel (Firebox Glass) Installation / Removal - Side Glass

1. Open 2x lower clamps by turning 90°.

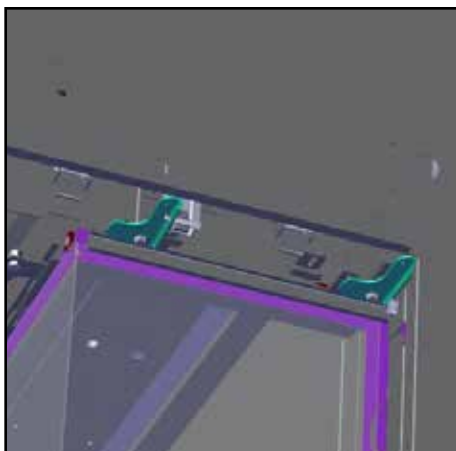


2. Pull glass gasket pad forward to release glass.

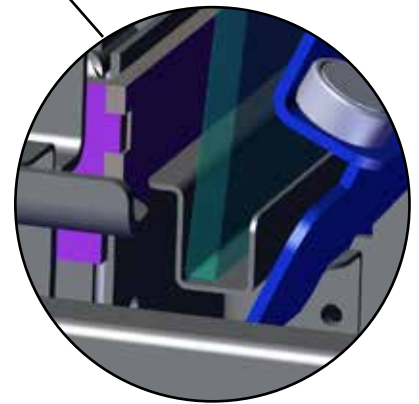
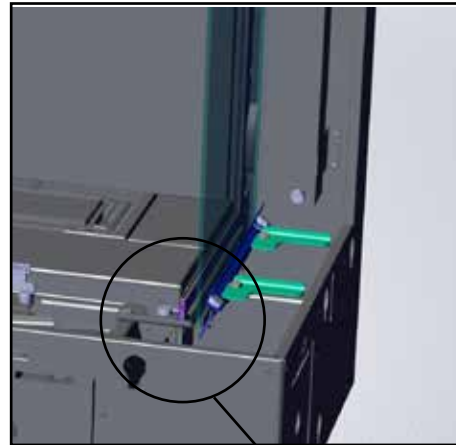
Note: if gasket pad won't open--check that all clamps are turned a full 90°.



3. Open 2x top clamps by turning 90°.

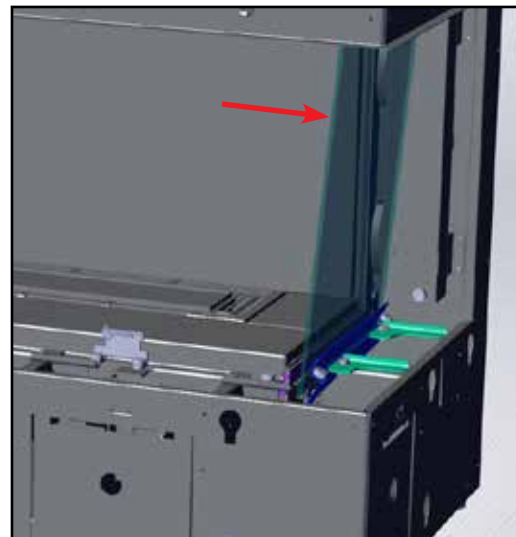


4. Gently move bottom of side glass panel into the support channel as shown in diagram below.



5. Tilt top of glass side panel outward to create clearance.

6. Remove panel.



7. Repeat steps to remove side glass panel on the opposite side.

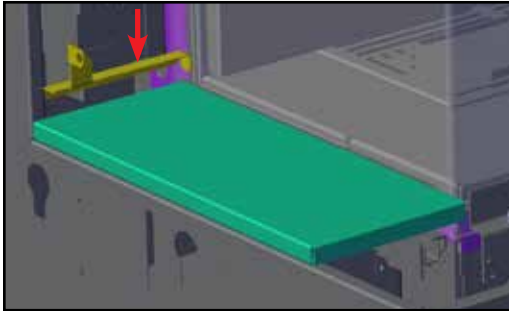
8. Reverse steps to re-install side glass panels.

# owner's information

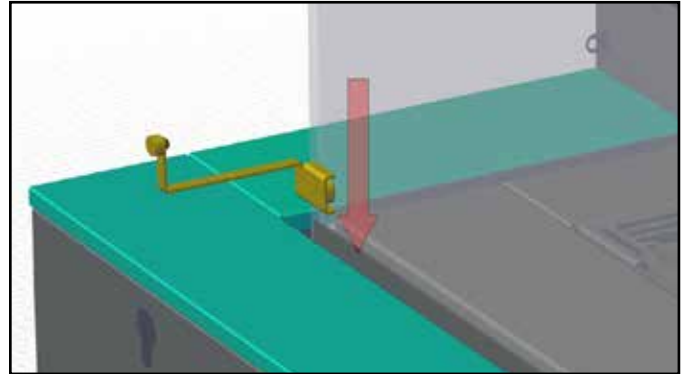
## Optional Front Barrier Glass Stoppers Installation / Removal

There are 4 optional stoppers (2 side/2 front) included in the manual pack which provide additional support to the glass barrier, if desired--install the stoppers prior to installation of the barrier glass.

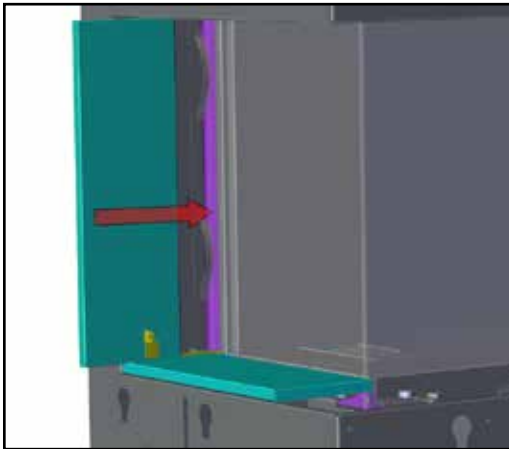
1. Install glass stopper (if desired) by sliding down the outside of the outer side panel.



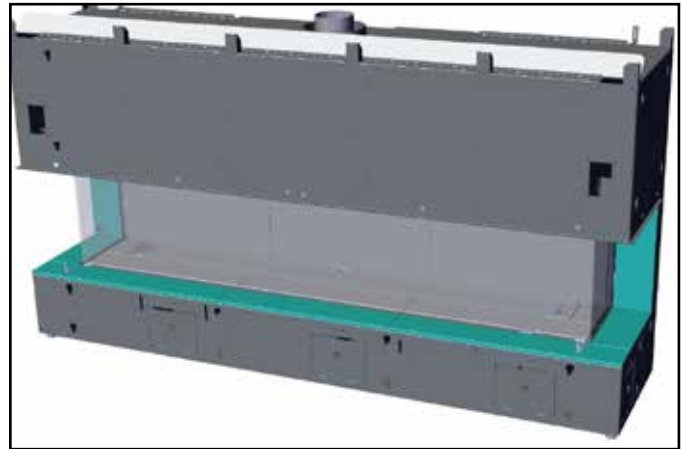
3. Install glass stopper (if desired) by sliding stopper assembly between unit and panel - the stopper assembly will attach to the unit via a magnet, adjust position of glass stopper is required.



2. Slide backwall outer panel behind glass stopper bracket (if installed).



4. Repeat steps 1-6 to install outer panels on opposite side.



5. Install barrier glass as per instructions in this manual.

**WARNING:**

DO NOT SPRAY AEROSOLS IN THE VICINITY OF THIS APPLIANCE WHILE IT IS IN OPERATION.

DO NOT USE OR STORE FLAMMABLE MATERIALS IN OR NEAR THIS APPLIANCE.

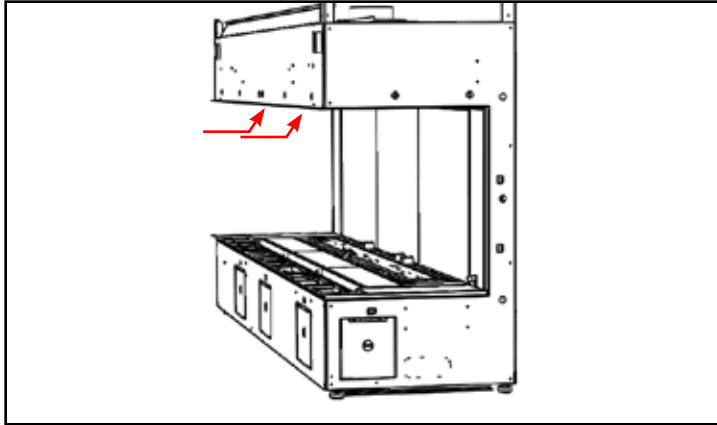
DO NOT PLACE ARTICLES ON OR AGAINST THIS APPLIANCE.

DO NOT MODIFY THIS APPLIANCE.

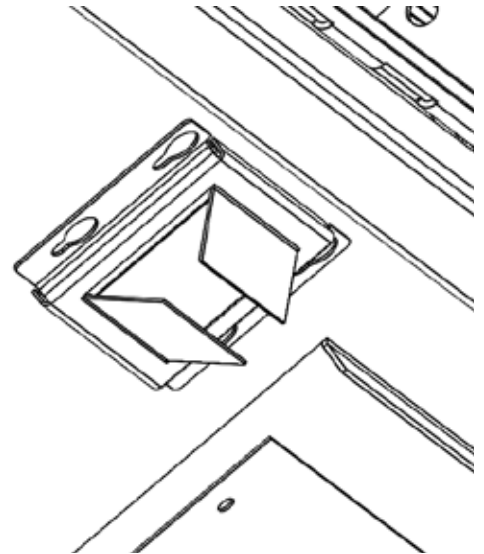


## Bulb Replacement

1. Turn off power and gas to unit and allow to cool to room temperature.
2. Remove outer safety glass panels and inner panels (firebox glass)—see instructions in this manual.



*Light are located behind the front face of the unit*

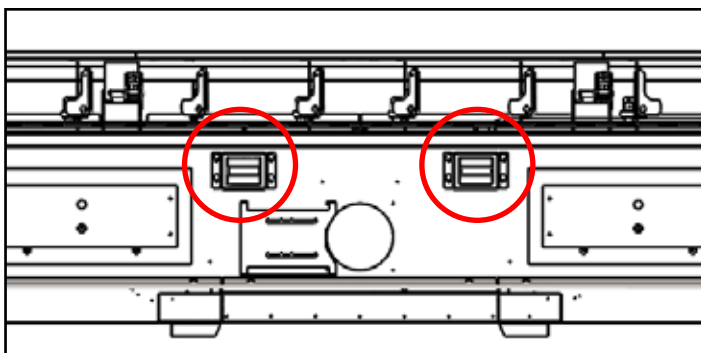


*Inner light covers close up*

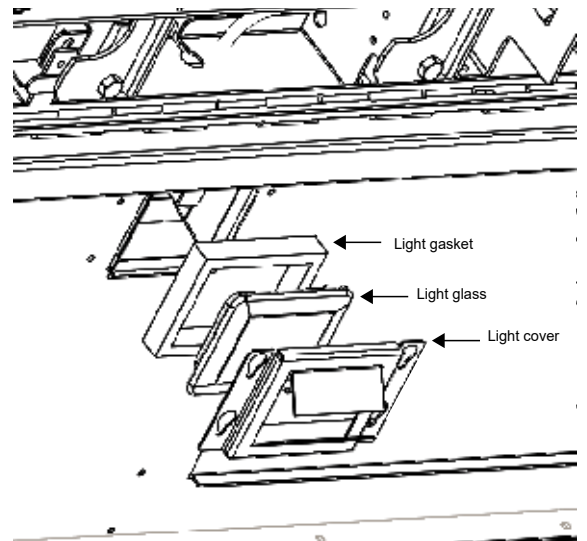
3. Loosen 2 screws on each side of individual inner light cover and remove.
4. Replace bulb and reverse steps to complete procedure.

**NOTE:** Do not handle bulb with bare hands. Use packaging or a tissue to hold new bulb when replacing.

Regency Part# 911-208 Oven Lamp Assembly G9 240V/25W  
 Regency Part# 911-300 Replacement Bulb G9 240 Volt/25 watt



*Inner light covers shown from below*



*Inner light cover reassembly order*

# owner's information

## Maintenance Instructions

1. Always turn off the gas valve before cleaning. For relighting, refer to lighting instructions. Keep the burner and control compartment clean by brushing and vacuuming at least once a year. When cleaning the logs, use a soft clean paint brush as the logs are fragile and easily damaged.
2. Clean appliance and door with a damp cloth (never when unit is hot). Never use an abrasive cleaner. The glass should be cleaned with a gas fireplace glass cleaner. **The glass should be cleaned when it starts looking cloudy.**
3. The fireplace is finished in a heat resistant paint and should only be refinished with heat resistant paint. Regency® uses StoveBright Paint - Metallic Black #6309.
4. Make a periodic check of burner for proper position and condition. Visually check the flame of the burner periodically, making sure the flames are steady; not lifting or floating. If there is a problem, call a qualified service person.
5. The appliance and venting system must be inspected before use, and at least annually, by a qualified field service person, to ensure that the flow of combustion and ventilation air is not obstructed.

**Note: Never operate the appliance without the glass properly secured in place.**

6. Do not use this appliance if any part has been under water. Immediately call a qualified service technician to inspect the appliance and to replace any part of the control system and any gas control which has been under water.
7. In the event this appliance has been serviced check that the vent-air system has been properly resealed & reinstalled in accordance with the manufacturer's instructions.
8. Verify operation after servicing.

## General Vent Maintenance

Conduct an inspection of the venting system semi-annually. Recommended areas to inspect as follows:

1. Check the Venting System for corrosion in areas that are exposed to the elements. These will appear as rust spots or streaks, and in extreme cases, holes. These components should be replaced immediately.
2. Remove the Cap, and shine a flashlight down the Vent. Remove any bird nests, or other foreign material.

3. Check for evidences of excessive condensation, such as water droplets forming in the inner liner, and subsequently dripping out the joints. Continuous condensation can cause corrosion of caps, pipe, and fittings. It may be caused by having excessive lateral runs, too many elbows, and exterior portions of the system being exposed to cold weather.
4. Inspect joints, to verify that no pipe sections or fittings have been disturbed, and consequently loosened. Also check mechanical supports such as Wall Straps, or plumbers' tape for rigidity.

## Log Replacement

The unit should never be used with broken logs. Turn off the gas valve and allow the unit to cool before opening door and carefully remove the logs. (The pilot light generates enough heat to burn someone.) If for any reason a log should need replacement, you must use the proper replacement log. The position of these logs must be as shown in the diagrams under Log Installation.

**Note: Improper positioning of logs may create carbon build-up and will severely alter the unit's performance which is not covered under warranty.**

## Glass

Your Regency® fireplace is supplied with high temperature 5mm-Tempered outer glass & 5mm-Ceramic inner glass. If your glass requires cleaning, we recommend using an approved glass cleaner available at all authorized dealers. Do not use abrasive materials or ammonia based cleaners.

## CAUTION & WARNINGS:

- \* Do not clean when the glass is hot.
- \* The use of substitute glass will void all product warranties.
- \* Care must be taken to avoid breakage of the glass.
- \* Do not strike or abuse the glass.
- \* Do not operate this fireplace without the glass front or with a cracked or broken glass front.
- \* Wear gloves and safety glasses when removing damaged or broken glass.
- \* Replacement of the glass panels should be

**WARNING: Do not operate appliance with the glass front removed, cracked, or broken. Replacement of the glass should be done by a licensed or qualified service person.**

done by a licensed or qualified service person.

## Glass Replacement

In the event that you break your glass by impact, purchase your replacement from an authorized Regency dealer only. Replacement glass is shipped already installed into the door frame. Reinstall as per Glass Installation in the "Glass Installation" section.

## REPLACEMENT GLASS:

### ACB60E

Outer Safety Glass Front - Tempered (Part# 940-511/P)  
Outer Safety Glass Right Side- Tempered (Part# 940-509/P)  
Outer Safety Glass Left Side- Tempered (Part# 940-510/P)

Inner Glass Front - Ceramic (Part# 940-507/P)  
Inner Glass Side - Ceramic (Part# 940-508/P)

## General Safety Information

1. The appliance installation must conform with local codes or, in the absence of local codes, with the current Installation and Building Codes.
2. See general construction and assembly instructions. The appliance and vent should be enclosed.
3. This appliance must be connected to the specified vent and termination cap to the outside of the building envelope. Never vent to another room or inside a building. Make sure that the vent is fitted as per Venting instructions.
4. Inspect the venting system annually for blockage and any signs of deterioration.
5. Venting terminals shall not be recessed into a wall or siding.
6. Any safety glass removed for servicing must be replaced prior to operating the appliance.
7. To prevent injury, do not allow anyone who is unfamiliar with the operation to use the fireplace.
8. Wear gloves and safety glasses for protection while doing required maintenance.
9. Be aware of electrical wiring locations in walls and ceilings when cutting holes for termination.
10. Under no circumstances should this appliance be modified. Parts that have to be removed for servicing should be replaced prior to operating this appliance.
11. Installation and any repairs to this appliance should be done by a qualified service person. A professional service person should be called to inspect this appliance annually. Make it a practice to have all of your gas appliances checked annually.
12. Do not slam shut or strike the glass door.
13. Under no circumstances should any solid fuels (wood, paper, cardboard, coal, etc.) be used in this appliance.
14. The appliance area must be kept clear and free of combustible materials, (gases and other flammable vapours and liquids).
15. When installed, the appliance must be electrically grounded in accordance with local codes.

## Installation Checklist

1. Locate appliance. Refer to the following sections:
  - a) Locating Your Fireplace
  - b) Clearances
  - c) Combustible Mantel Clearances
  - d) Framing & Finishing
  - e) Venting. See the "Venting Introduction" to "Venting Arrangements" sections.
2. Assemble Standoffs. Refer to the "Unit Assembly Prior to Installation" section. (NOTE: must be done before installing unit into fireplace.)
3. Install vent. See the "Horizontal Installations" to "Installation Procedures" sections.
4. Install 4 AA batteries into receiver battery box. Hook receiver to wiring marked receiver, this will enable operation of the appliance manually when position in "ON" position.
 

Note: The wire harness (marked receiver) is located near the gas valve and will need to be routed to the exterior of the fireplace from either the left or right hand side of the appliance prior finishing.
5. Bring 120 volt power to appliance and 120 volt from the power vent cap to the appliance.
6. Make gas connections. Test the pilot. Must be as per diagram. Refer to the "Gas Line Installation" & "Pilot Adjustment" sections.
7. Install standard and optional features. Refer to the following sections where applicable:
  - a. Barrier Safety Glass
  - b. Firebox (inner) glass
  - c. Log Set
  - d. Fireglass
  - e. Ceramic stones or other approved media
  - f. Painted or enamel panels (panels required)
  - g. Corner Kit
  - h. Optional Framing Kit
  - i. Heatwave Kit
  - j. Heatwave kit adaptor
8. Plug 3 prong plug for the lights into the receptacle. The 3 prong plug will be located near the gas valve on the appliance.
9. Final check.

Before leaving this unit with the customer, the installer must ensure that the appliance is firing correctly and operation fully explained to customer.

This includes:

1. Clocking the appliance to ensure the correct firing rate (rate noted on label 41.1 MJ/h NG, 38 MJ/h Propane and 34 MJ/h ULPG after burning appliance for 15 minutes.
2. If required, adjusting the primary air to ensure that the flame does not carbon. First allow the unit to burn for 15-20 min. to stabilize.

**CAUTION: Any alteration to the product that causes sooting or carboning that results in damage is not the responsibility of the manufacturer.**



## Heatwave Duct System - Optional Kit

The **HeatWave** Air Duct Kit increases the effectiveness of your fireplace by dispersing warm air from the fireplace to remote locations in the same room or other rooms in your home.

Up to two kits may be installed on the fireplace.

**Please Note:** One adaptor kit #946-766 must be used with each 946-591 and 946-596.

The **HeatWave** Duct Kit has different clearance and framing requirements, check the **HeatWave** manual for details.

# installer's information

## Locating Your Gas Fireplace - Bay Install

1. When selecting a location for your fireplace, ensure that the clearances are met.
2. The appliance must be installed on a flat, solid, continuous surface For example a wood, metal or concrete floor or in a raised (on the wall) application. The appliance must be installed on a metal or wood panel extending the full width and depth of the appliance.
3. The ACB60E Direct Vent Gas Fireplace can be installed framed out into the room as in D and E. See Diagram 1.

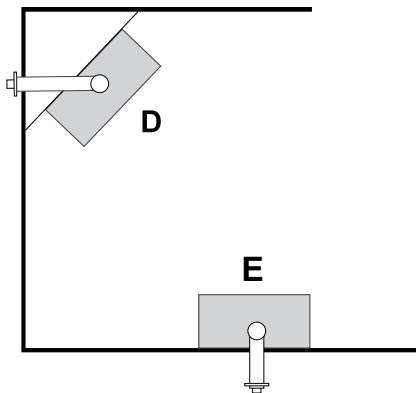


Diagram 1

- D) 3 sided-ACB60E (corner install)
- E) 3 sided-ACB60E

4. For bedroom installations, check with local codes before installation. This appliance is offered with a remote control.
5. The ACB60E Direct Vent Gas Fireplace is approved for alcove installations, see "Clearances" section for details.
6. We recommend that you plan your installation on paper using exact measurements for clearances and floor protection before actually installing this appliance. Have an authorized inspector, dealer, or installer review your plans before installation.

**Note: For vent terminations refer to "Exterior Vent Termination Locations" section.**

## Locating Your Gas Fireplace - Corner Install

1. When selecting a location for your fireplace, ensure that the clearances are met.
2. The appliance must be installed on a flat, solid, continuous surface For example a wood, metal or concrete floor or in a raised (on the wall) application. The appliance must be installed on a metal or wood panel extending the full width and depth of the appliance.
3. The ACB60E Corner Conversion Gas Fireplace can be installed in a recessed position or framed out into the room as in A and B. See Diagram 1.

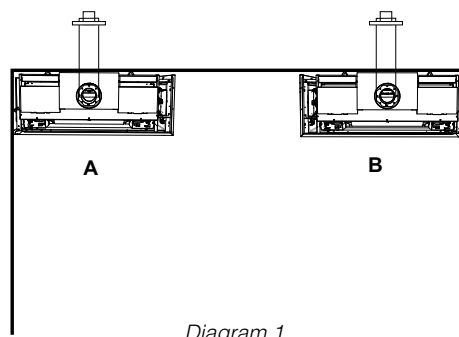


Diagram 1

- A) Corner Left
- B) Corner Right

4. For bedroom installations, check with local codes before installation. This appliance is offered with a remote control.
5. The ACB60E Corner Conversion Gas Fireplace is approved for alcove installations, see "Clearances" section for details.
6. We recommend that you plan your installation on paper using exact measurements for clearances and floor protection before actually installing this appliance. Have an authorized inspector, dealer, or installer review your plans before installation.

**Note: For vent terminations refer to "Exterior Vent Termination Locations" section.**

## Unit Assembly Prior to Installation

### Before you Start - Removing the Unit from the Pallet

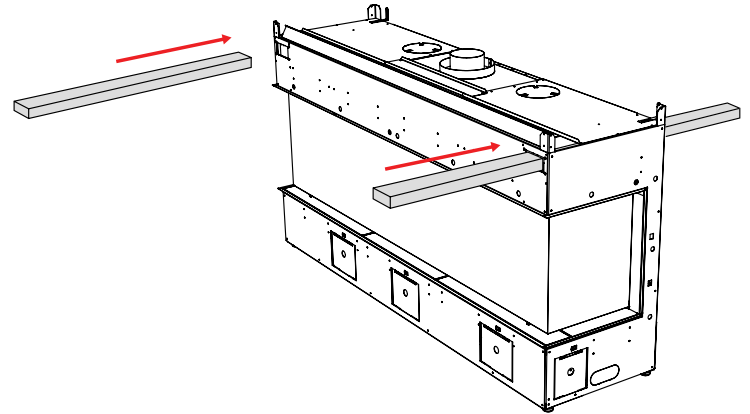
Remove the screws securing the unit to the pallet

Due to the size and weight (208 kg shipping weight) of the ACB60E--lifting and moving the unit will require 4 people.

Place a length (long enough to get a solid grip on each side) through the opening on each side of the unit as shown.

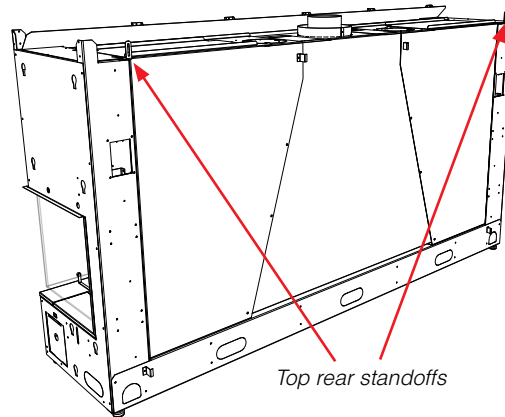
Lift and move the unit carefully.

Note: Remove when unit it is in final position.



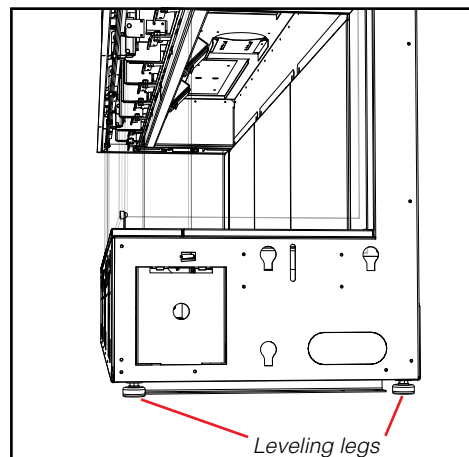
### Rear Standoffs

The 6 rear standoffs are already attached to the appliance. Do not remove these standoffs. The 2 top rear standoffs are designed so that screws can be used to secure the appliance to the rear wall if needed. Studs must be in this location if choosing to screw this into studs.



### Leveling Legs

There are four levelling legs - two on each side, that can be adjusted (with the supplied tool—found in the manual package) if required.

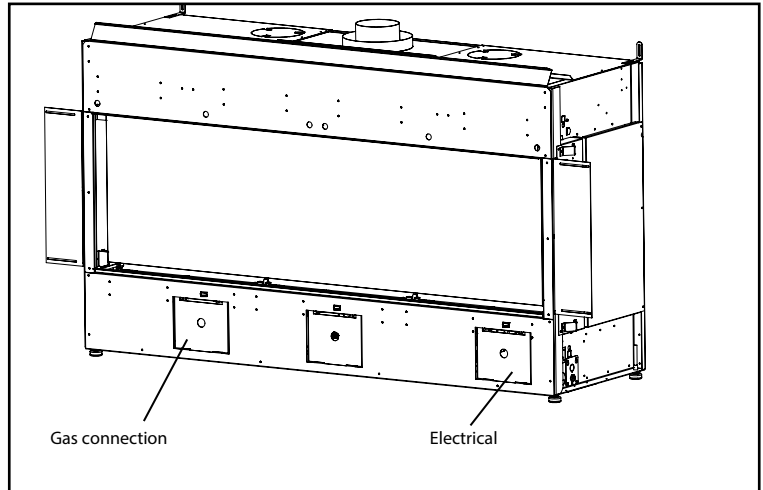


# installer's information

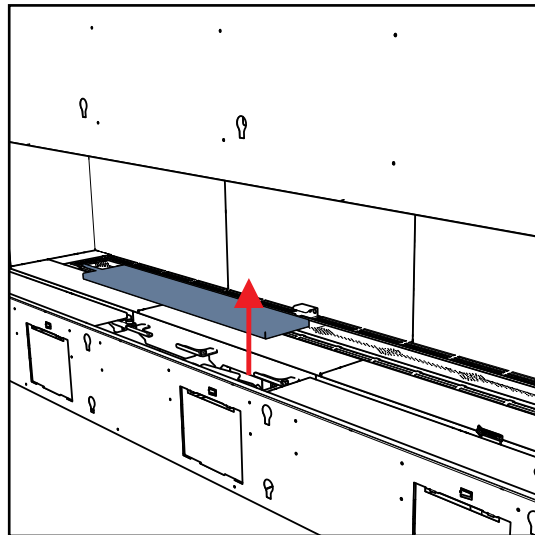
## Access Panel Removal

The front access panels (x3) and one (x1) on the right side (facing unit front) may be removed for ease of hooking up gas and electrical--prior to finishing. Once complete ensure that the access panel is reinstalled prior to any finishing. See locations in diagram to the right.

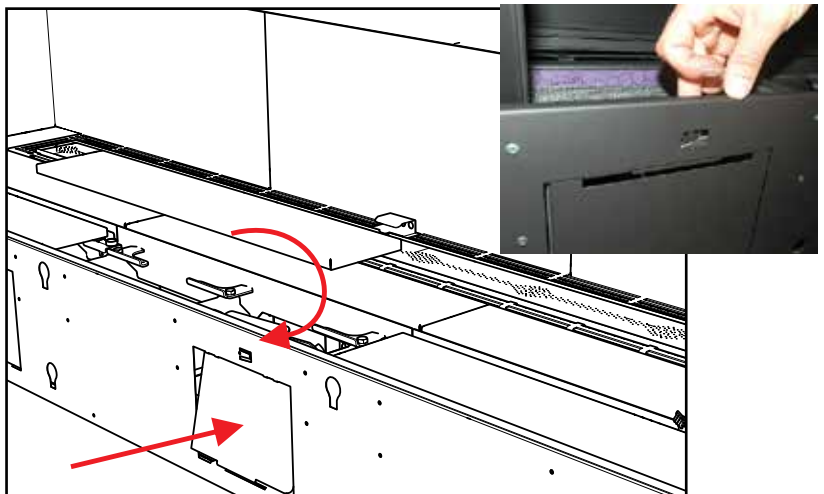
Note: Once the finished material is installed, these access panels are no longer accessible.



1. Identify access panel to be removed, remove corresponding outer trim panel by lifting up and off (centre panel shown below).



2. From inside the unit—push in tab to release the access panel at the top.
3. Push the access towards the inside of the unit, lift up from the bottom to release bottom tabs, when clear, lift out of unit.
4. Reverse steps to reinstall access panel.



## Ventilation Openings (Three-sided/Bay Installation)

**NOTE** • For right/left two-sided corner, see next page.

Regency's patented Cool Wall system releases warmth at ceiling level. This system reduces excessive radiant heat in front of the fireplace so you can enjoy your fireplace more often.

- Design your own chase vent solution to suit your home
- Use optional front or left & right side chase vent grills
- Release warmth into the room discreetly

### Ventilation Opening Locations

The following are examples of how the ventilation openings may be placed above the fireplace.

The air travelling through the heat exchanger is heated by the fireplace and then directed out the back of the fireplace. The combined warmed air is then vented back into the room.

If using the optional heat wave kit, this does not reduce the size of the ventilation opening. The ventilation opening(s) must be a minimum 1161cm<sup>2</sup> regardless.

#### Front Exit

The ventilation opening may be placed in front ensuring it meets the 1161cm<sup>2</sup> opening & is located 0 - 51mm from the enclosure ceiling.



#### Side Exit (Left/Right)

Ventilation openings, when placed on both sides, must be of the same size. They must have an equal split (50/50) free air opening to balance air flow. A ventilation opening may never be on one side only. The ventilation openings cannot be any smaller than 152mm wide to equal the total area of 1161cm<sup>2</sup> of free open area.

The ventilation openings must be located 0 - 51mm from the enclosure ceiling.



#### Top Exit

The ventilation opening may be short of the ceiling as shown below. Minimum opening height must be 44mm measured from top of enclosure to the ceiling and must be in open in front and both sides to meet the minimum 1161cm<sup>2</sup> free open air requirement.



The ventilation opening may be fully open at the top of the enclosure. This type of ventilation opening would be used when the top of the enclosure is not visible from above and where the ceiling within the room is higher than normal. When creating this type of ventilation opening, measures should be in place to avoid having objects of any type falling or be thrown into the ventilation opening. Mesh screen or other preventative measures should be put into place.



The ventilation opening may be placed on top ensuring it meets the 1161cm<sup>2</sup> opening. This type of ventilation opening would be used when the top of the enclosure is visible from above and where the ceiling within the room is higher than normal.



# installation

## Ventilation Openings (Right/Left Corner)

Regency's patented Cool Wall system releases warmth at ceiling level. This system reduces excessive radiant heat in front of the fireplace so you can enjoy your fireplace more often.

- Design your own chase vent solution to suit your home
- Use optional front or left & right side chase vent grills
- Release warmth into the room discreetly

### Ventilation Opening Locations

The following are examples of how the ventilation openings may be placed above the fireplace.

The air travelling through the heat exchanger is heated by the fireplace and then directed out the back of the fireplace. The combined warmed air is then vented back into the room.

If using the optional heat wave kit, this does not reduce the size of the ventilation opening. The ventilation opening(s) must be a minimum 1161cm<sup>2</sup> regardless.



### Front Exit

The ventilation opening may be placed in front ensuring it meets the 1161cm<sup>2</sup> opening & is located 0 - 51mm from the enclosure ceiling.



### Side/Front Exit

Ventilation openings, when placed on the side, must also have the same size ventilation opening in front. They must have an equal split (50/50) free air opening to balance air flow. A ventilation opening may never be on one side only.

The side ventilation opening cannot be any smaller than 152mm wide to equal the total area of 1161cm<sup>2</sup> of free open area.

The ventilation openings must be located 0 - 51mm from the enclosure ceiling.



### Top Exit

The ventilation opening may be short of the ceiling as shown below. Minimum width/depth of chase x height measured from top of enclosure to the ceiling and must be in open in front and side to meet the minimum 1161cm<sup>2</sup> free open air requirement.



The ventilation opening may be fully open at the top of the enclosure. This type of ventilation opening would be used when the top of the enclosure is not visible from above and where the ceiling within the room is higher than normal. When creating this type of ventilation opening, measures should be in place to avoid having objects of any type falling or be thrown into the ventilation opening. Mesh screen or other preventative measures should be put into place.



The ventilation opening may be placed on top ensuring it meets the 1161cm<sup>2</sup> opening. This type of ventilation opening would be used when the top of the enclosure is visible from above and where the ceiling within the room is higher than normal.





## Chase Enclosure

When choosing to install the ventilation openings from the front or both sides, The top of the ventilation opening cannot be any lower than 0 - 51mm from the top of the chase enclosure for all installations.

Minimum height of enclosure from base of appliance is 2064mm.

A minimum 1161cm<sup>2</sup> opening in the enclosure is required to maintain safe operating temperatures. This can be achieved in a number of ways including the examples shown in this manual.

### IMPORTANT:

**Exterior wall/Alcove enclosure:** When installing into an exterior cavity or alcove enclosure (ceiling, back and sides), regardless of where appliance is placed within the home, requires the use of either plasterboard or other means such as plywood, wood studs, etc. to prevent heat from escaping anywhere above / through the enclosure other than the required grill / ventilation opening.

**Internal chase:** When installing as an internal chase framing installation, regardless of where appliance is placed within the home, requires the use of either plasterboard or other means such as wood, on the rear wall of the chase to eliminate heat escaping into the rear wall cavity. If the chase is extended to the ceiling, the ceiling will also need to be finished in a manner to prevent heat escaping into floor joist/attic space.

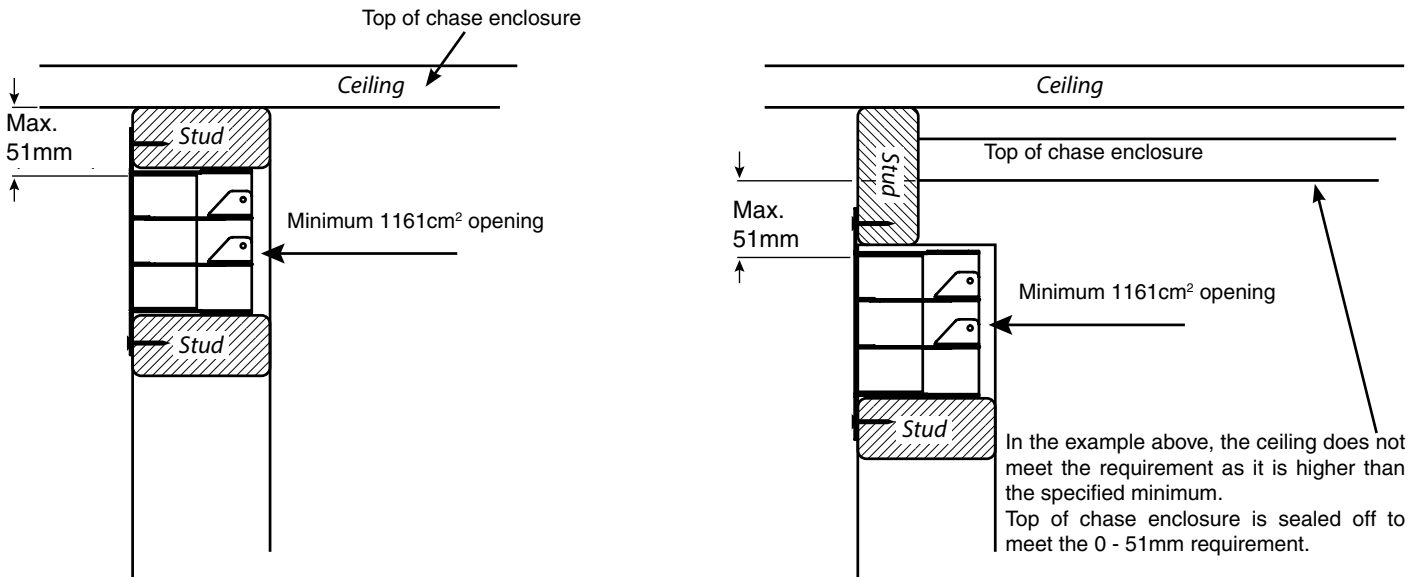
One of the following methods must be used to prevent the heat from escaping.

- a. If choosing plasterboard, ensure that the plasterboard is butt up tight with no gaps.
- b. Wood, wood studs, etc. installed tightly with no gaps.

As this appliance has been designed with all hot air escaping through the chase enclosure ventilation/grill openings only, if hot air is trapped as a result of the hot air escaping through joints, crevasses, open studs, or other openings within the enclosure above, this will change the clearances within the enclosure causing the enclosure to overheat. It is vital that all the hot air from within the enclosure exits through the ventilation openings only.

Ensure that the ventilation openings are made as such to prevent debris, objects from falling into the enclosure.

Warning: DO NOT cover or place objects in front of the ventilation opening air outlet(s).



# installation

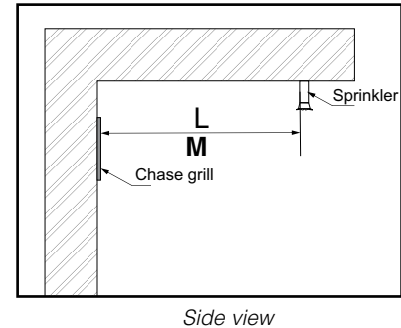
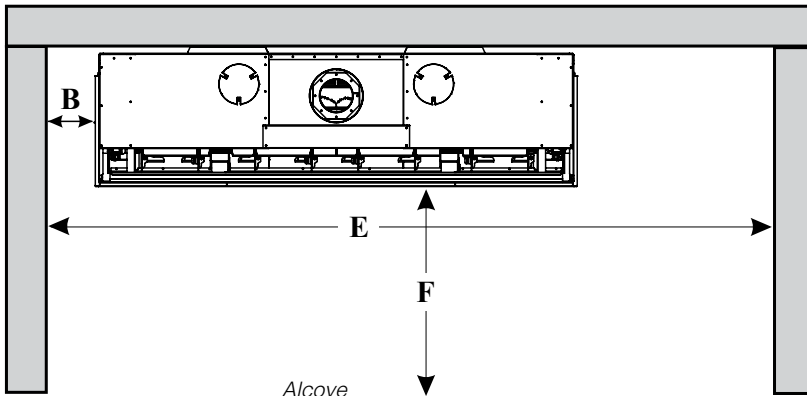
## Clearances (3-sided)

The clearances listed below are minimum distances unless otherwise stated.

A major cause of chimney related fires is failure to maintain required clearances (air space) to combustible materials. It is of the greatest importance that this fireplace and vent system be installed only in accordance with these instructions.

Clearance	Dimension	Measured From:
A1: Mantel Height (min.)	**	Top of Fireplace Opening
A: From Floor (min.)	260 mm	Bottom of Fireplace Opening
B: Sidewall (on one side) min.	149 mm	Side of Fireplace Opening
C: Enclosure Width (min.)	1810 mm	Minimum inside dimensions
D: Mantel Depth (max.)	**	
E: Alcove Width	3035 mm	Sidewall to Sidewall (Minimum)
F: Alcove Depth	889 mm	Front to Unit (Maximum)
G: Convection Air Outlet Opening Offset (min.)	50 mm	Max. offset from top of chase enclosure
H: Convection Air Outlet	1161 square centimeters	
I Enclosure Depth (min.)	516 mm	Minimum inside dimensions
J: Opening Height	457 mm	Bottom/Top of Fireplace Opening
K: To Ceiling (min.) all 3 sides	44 mm	To Top of Ceiling
L: Chase Enclosure (min.)	2064 mm	From base of unit/floor to top of enclosure
M: Clearance to Sprinkler Head (min.)	914 mm	Perpendicular from chase grill
Hearth	0"	No hearth required
** See mantel clearances chart in the manual.		

Flue Clearances to Combustibles	
Horizontal - Top	76 mm
Horizontal - Side	51 mm
Horizontal - Bottom	51 mm
Vertical	51 mm
Passing through wall/floor/ceiling - when firestop is used.	38 mm
Note: This appliance uses 127 mm x 203 mm venting.	

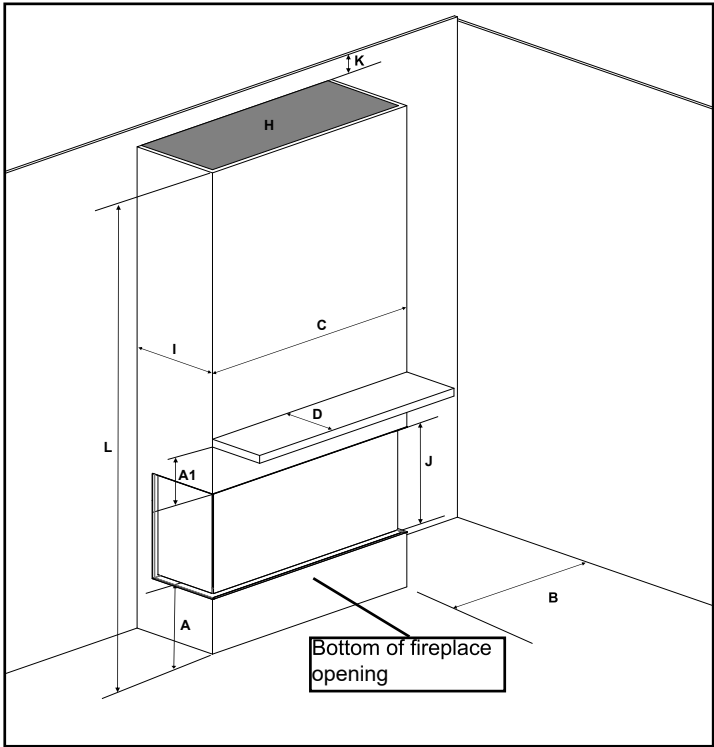


**Heat Wave** The **HeatWave** Duct Kit has different clearance and framing requirements, check the **HeatWave** manual for details.

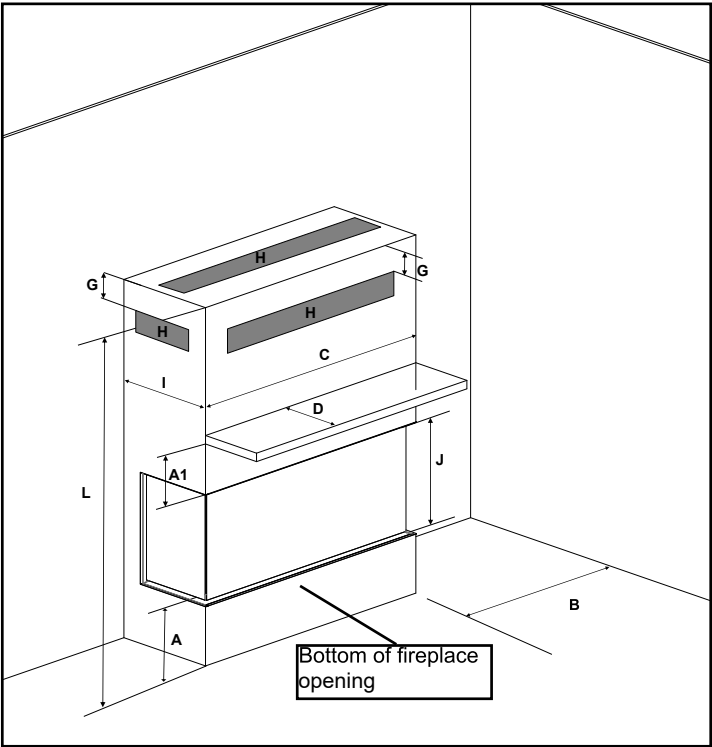
**Caution Requirements**  
The top, back and sides of the fireplace are defined by standoffs. The metal ends of the standoff may **NOT** be recessed into combustible construction.

**WARNING**  
**Fire hazard is an extreme risk**  
if these clearances (air space) to combustible materials are not adhered to. It is of greatest importance that this fireplace and vent system be installed only in accordance with these instructions.

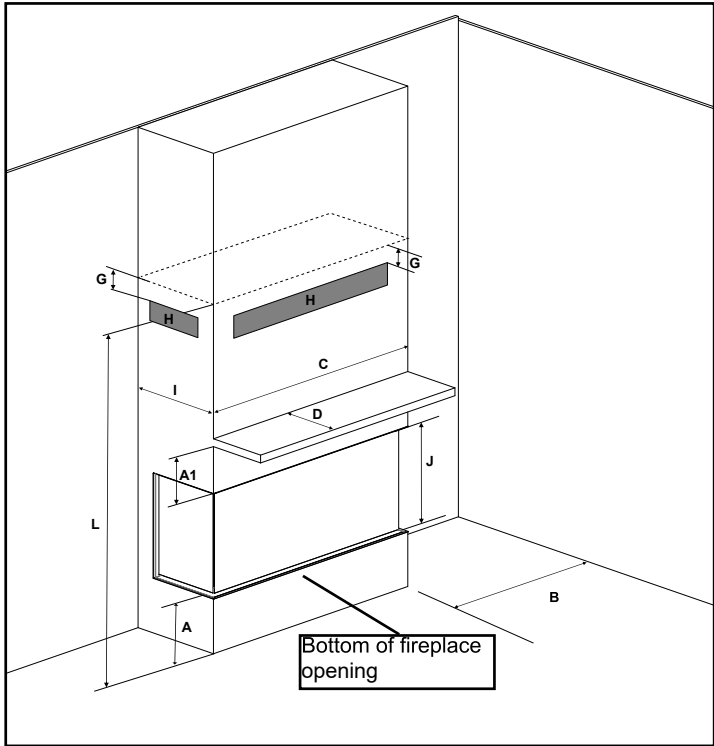
Clearances



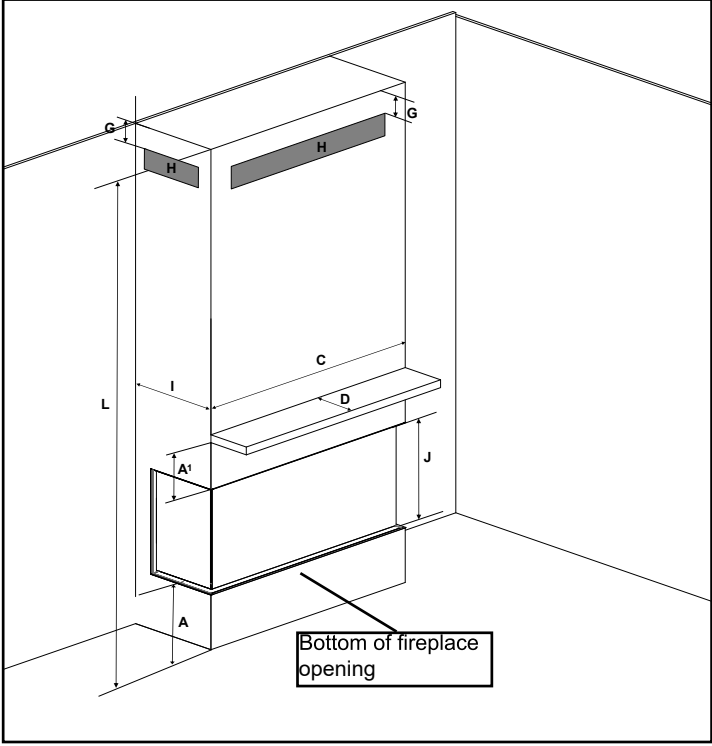
Floor to ceiling with top opening



Full framing with vents in front/2 sides or top



Full framing with low vents in front or 2 sides



Full framing with vents in front or 2 sides

# installation

## Clearances - Corner Install

The clearances listed below are minimum distances unless otherwise stated.

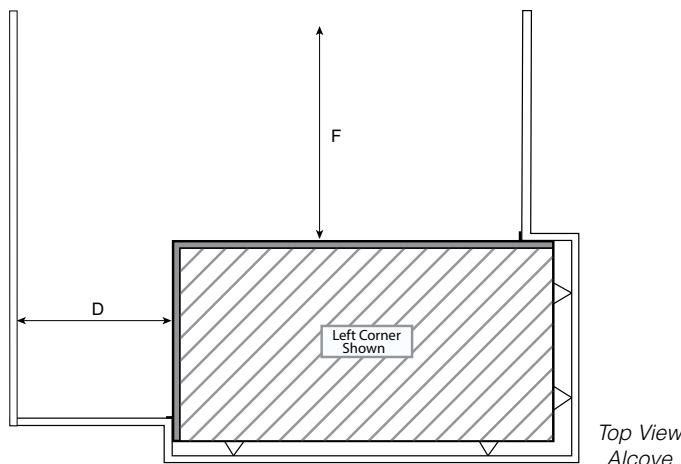
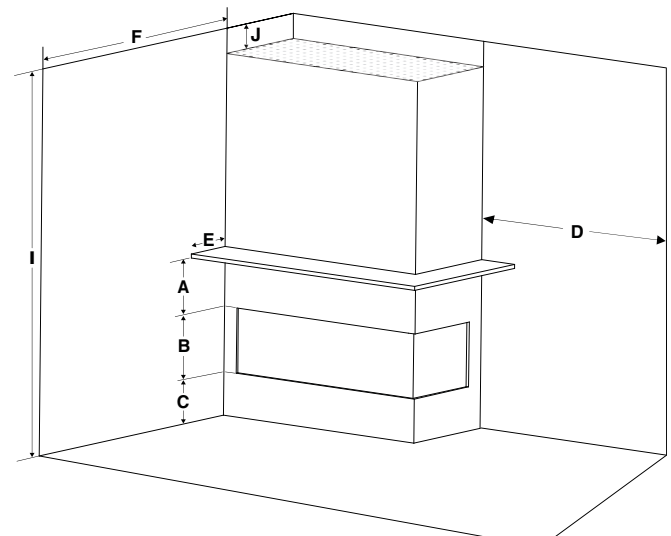
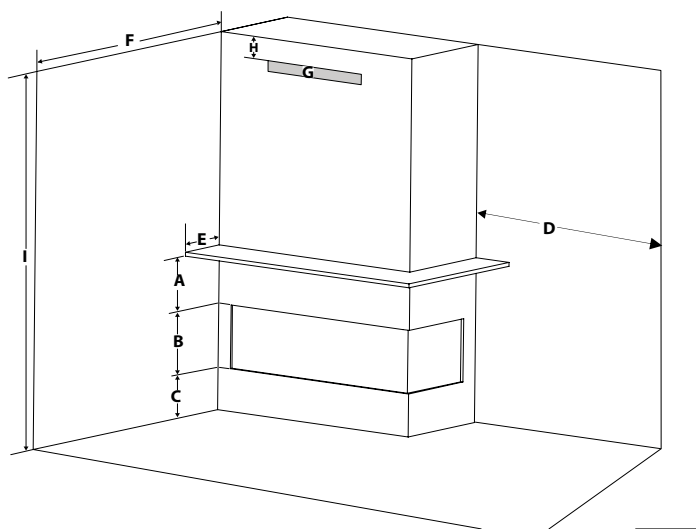
A major cause of chimney related fires is failure to maintain required clearances (air space) to combustible materials. It is of the greatest importance that this fireplace and vent system be installed only in accordance with these instructions.

Note: Left handed corner shown in illustration. Clearances will be the same for the right hand side.

Clearance: single sided	Dimension	Measured From:
A: Mantel Height (min.)	**	Top of Fireplace Opening
B: Opening Height	457 mm	Bottom/Top of Fireplace Opening
C: From Floor (min.)	260 mm	Bottom of Fireplace Opening
D: Sidewall (on one side) min.	991 mm	Side of Fireplace Opening
E: Mantel Depth (max.)	**	Front of Fireplace Opening
F: Alcove Depth	889 mm	Front of Fireplace Opening
G: Convection Air Outlet	1161 square cm	
H: Convection Air Outlet Opening Offset	50 mm	Max. offset from top of chase enclosure
I: Chase Enclosure (Min.)	2064 mm	From Base of Unit/Floor to top of enclosure
J: Convection Air Outlet Opening Offset (min.)	50 mm	To top of ceiling
Hearth	0"	No hearth required

\*\* See mantel clearances chart in this manual.

Flue Clearances to Combustibles	
Horizontal - Top	76 mm
Horizontal - Side	51 mm
Horizontal - Bottom	51 mm
Vertical	51 mm
Passing through wall/floor/ceiling - when firestop is used.	38 mm

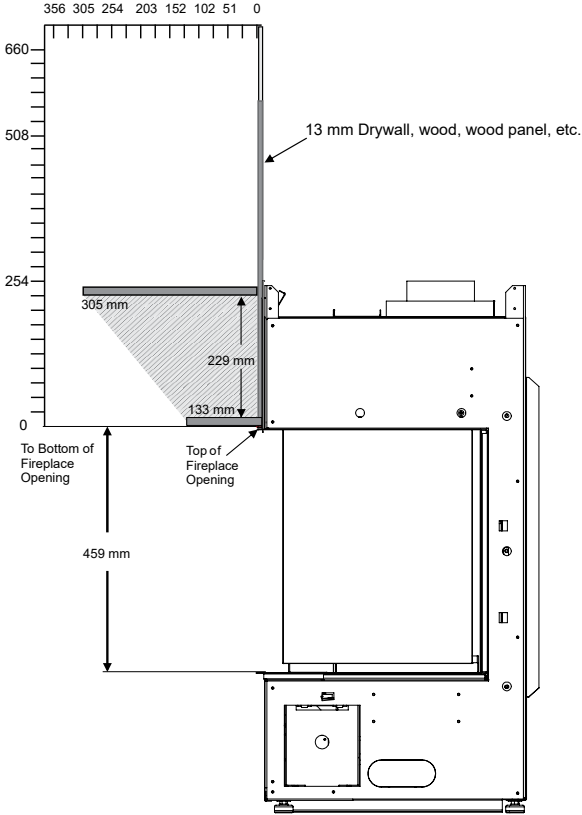


**Caution Requirements**  
The top, back and sides of the fireplace are defined by standoffs. The metal ends of the standoff may **NOT** be recessed into combustible construction.

**WARNING**  
**Fire hazard is an extreme risk**  
if these clearances (air space) to combustible materials are not adhered to. It is of greatest importance that this fireplace and vent system be installed only in accordance with these instructions.

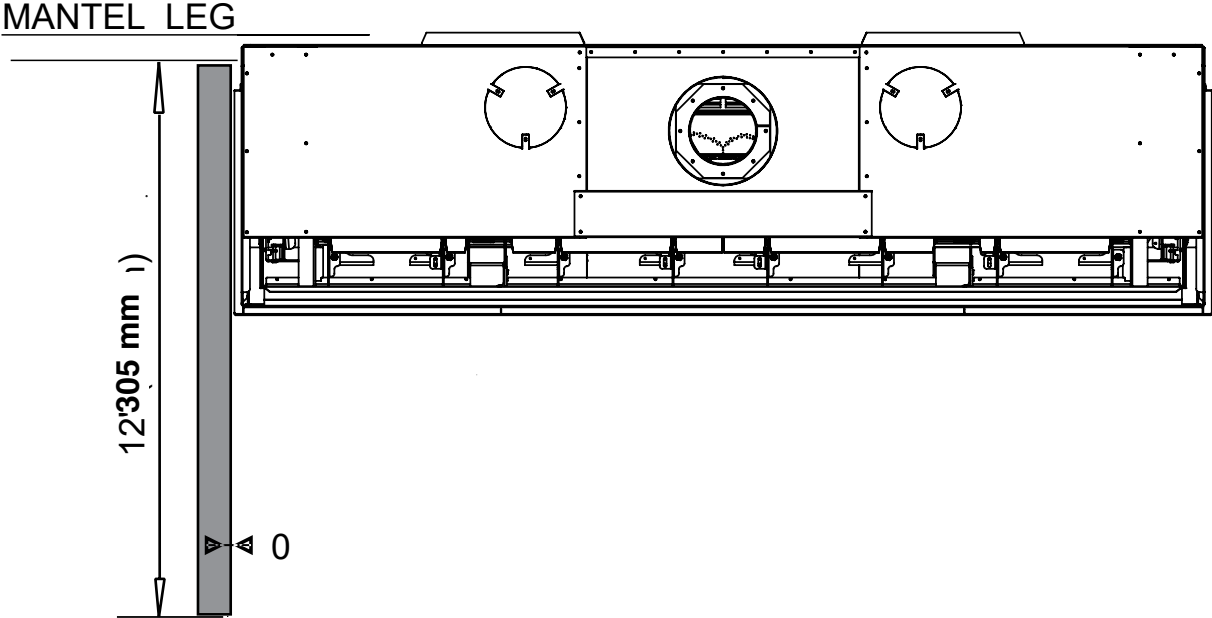
### Mantel Clearances

Combustible mantel clearances from top of front facing are shown in the diagram on the right.



### Mantel Leg Clearances

Combustible mantel leg clearances as per diagram:



# installation

## Framing Dimensions - Bay Install

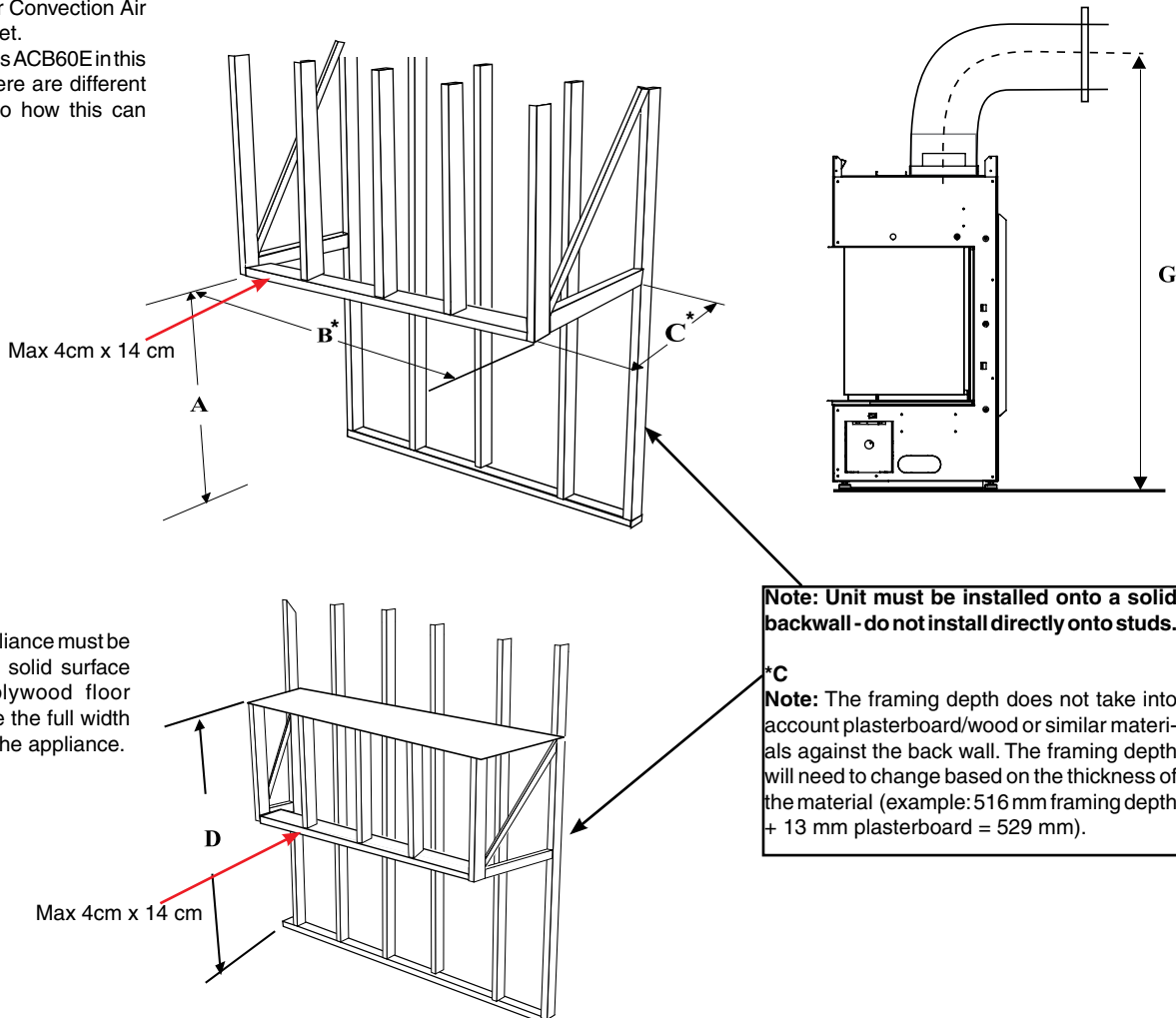
NOTE: Framing may be constructed of combustible material and does not require steel studs.

Framing Dimensions	Description	ACB60E
A	Framing Height	1137 mm
B*	Framing Width	1810 mm
C*	Framing Depth	516 mm
D	Minimum Height to Combustibles	2038 mm
G	Vent Centerline Height	1478 mm
**	Gas Connection Opening Height	See gas connection location in this manual
**	Gas Connection Height	See gas connection location in this manual
**	Gas Connection Inset-Centre Opening	See gas connection location in this manual

\*\* See manual for alternate Gas/ Electrical connection options

Ensure that the wood base that the appliance will sit on is strong enough to support the full weight of this appliance. The overall weight of this appliance is 208 kg (shipping weight).

Note: A combined minimum of 1161 square centimeters of open area is required for the convection air outlet to cool the enclosure. Ensure clearances for Convection Air Outlets are met. See clearances ACB60E in this manual as there are different methods as to how this can be achieved.



Note: This appliance must be installed on a solid surface such as a plywood floor which must be the full width and depth of the appliance.

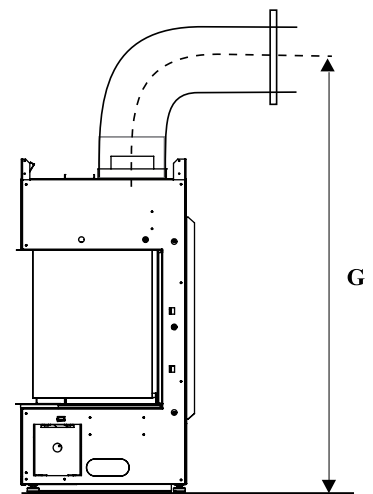
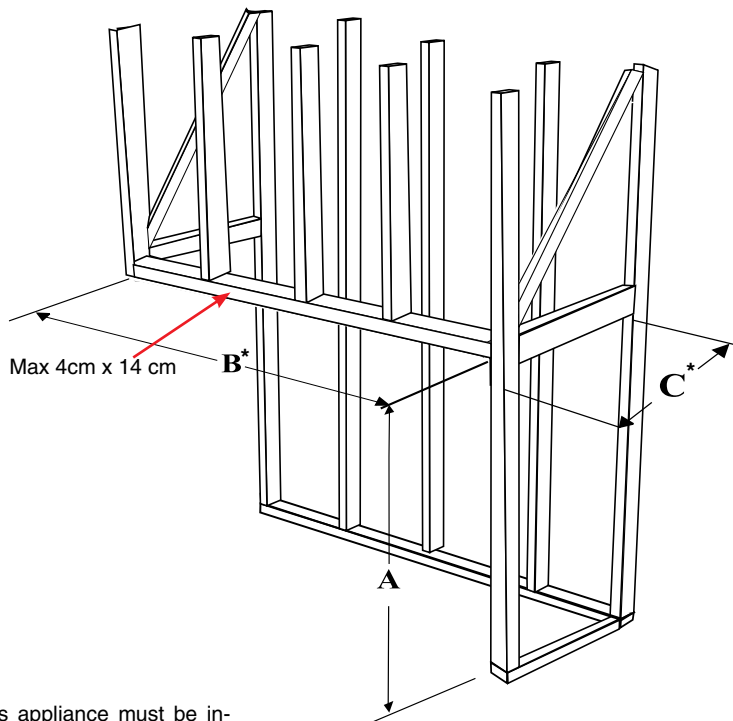
## Framing Dimensions Corner Kit - Corner Install (Right Corner)

NOTE: Framing may be constructed of combustible material and does not require steel studs.

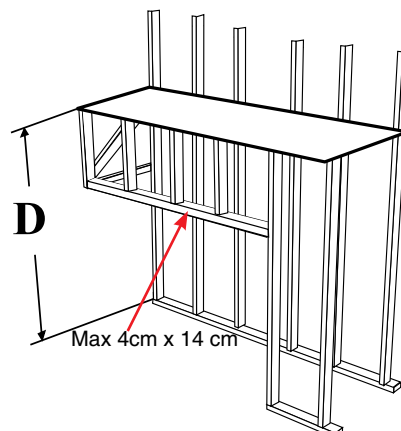
Framing Dimensions	Description	Corner Kit
A	Framing Height	1137 mm
B*	Framing Width	1810 mm
C*	Framing Depth	516 mm
D	Unit Base to Top Enclosure (Min.)	2038 mm
G	Vent Centerline Height	1478 mm

Note: A combined minimum of 1161 square centimeters of open area is required for the convection air outlet to cool the enclosure. Ensure clearances for Convection Air Outlets are met. See clearances ACB60E in this manual as there are different methods as to how this can be achieved.

NOTE: Unit cannot be load-bearing. All finishing materials must be supported by the framing.



Note: This appliance must be installed on a level and solid surface such as a plywood floor which must be the full width and depth of the appliance.



**Note:** Unit must be installed onto a solid back wall - do not install directly onto studs.

**\*Note:** The framing width (B) and framing depth (C) does not take into account plasterboard/wood or similar materials against the back wall. The framing width/depth will need to change based on the thickness of the material  
 Example B : 1810 mm framing width + 13 mm plasterboard = 1823 mm.  
 Example C : 516 mm framing depth + 13 mm plasterboard = 529 mm.

# installation

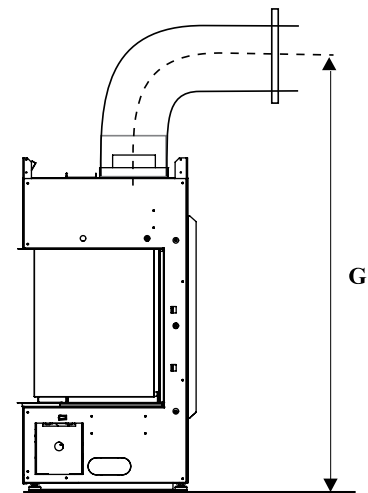
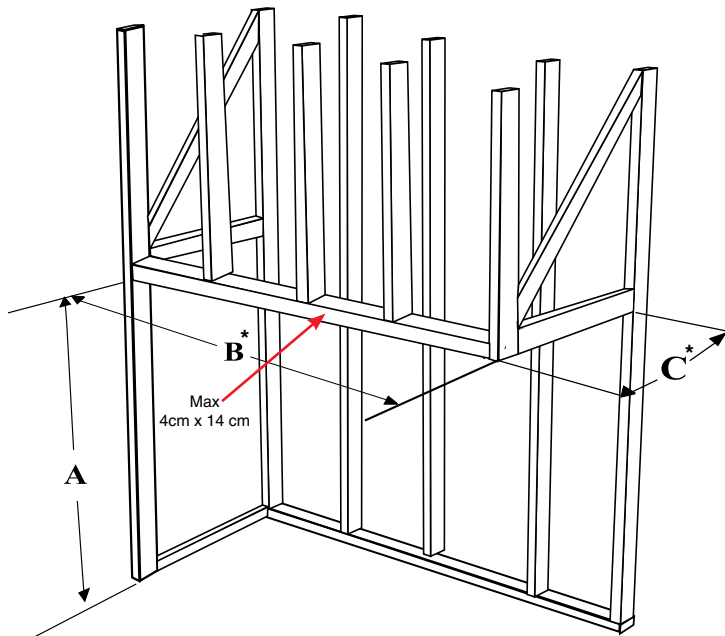
## Framing Dimensions Corner Kit - Corner Install (Left Corner)

**NOTE:** Framing may be constructed of combustible material and does not require steel studs.

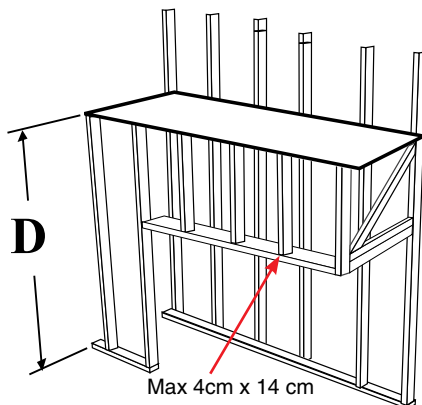
Framing Dimensions	Description	Corner Kit
A	Framing Height	1137 mm
B*	Framing Width	1810 mm
C*	Framing Depth	516 mm
D	Unit Base to Top Enclosure (Min.)	2038 mm
G	Vent Centerline Height	1478 mm

Note: A combined minimum of 1161 square centimeters of open area is required for the convection air outlet to cool the enclosure. Ensure clearances for Convection Air Outlets are met. See clearances ACB60E in this manual as there are different methods as to how this can be achieved.

**NOTE:** Unit cannot be load-bearing. All finishing materials must be supported by the framing.



Note: This appliance must be installed on a level and solid surface such as a plywood floor which must be the full width and depth of the appliance.

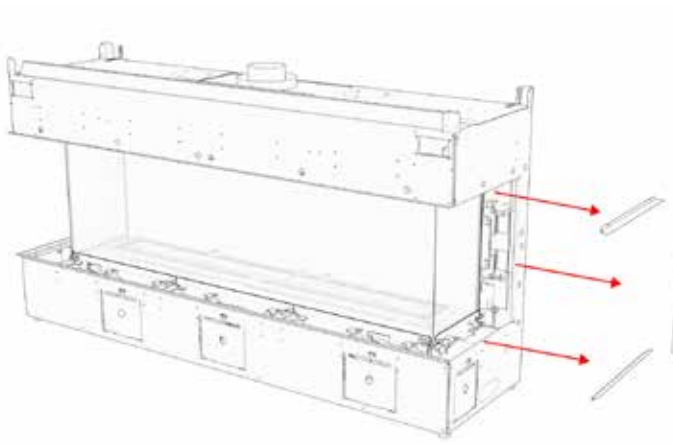


**Note:** Unit must be installed onto a solid back wall - do not install directly onto studs.

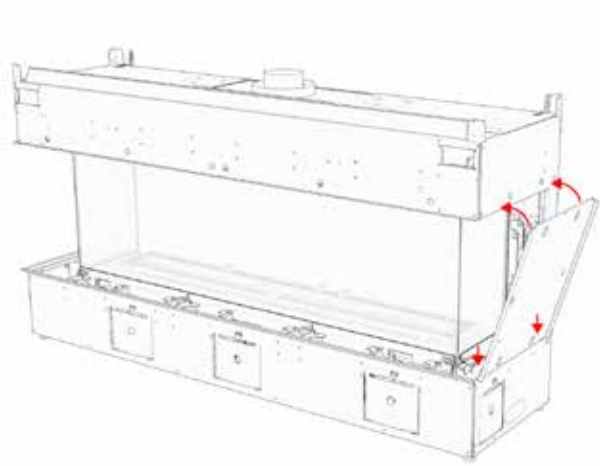
**\*Note:** The framing width (B) and framing depth (C) does not take into account plasterboard/wood or similar materials against the back wall. The framing width/depth will need to change based on the thickness of the material  
 Example B : 1810 mm framing width + 13 mm plasterboard = 1823 mm.  
 Example C : 516 mm framing depth + 13 mm plasterboard = 529 mm.



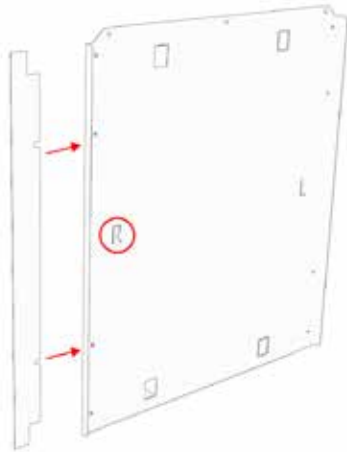
**Corner Installation Kit (Black) - Assembly Steps**



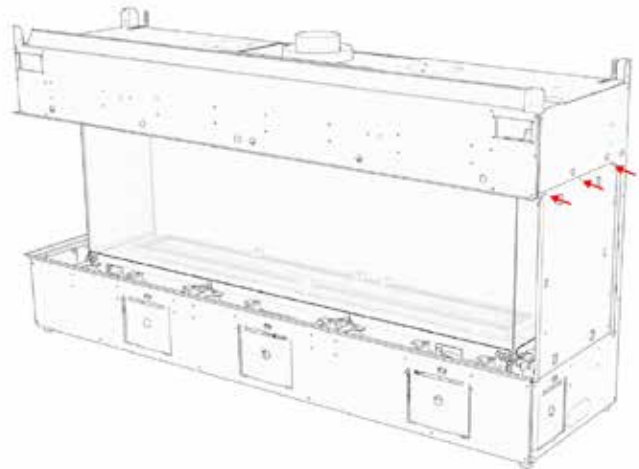
2. Install trim guide for left or right install to the outer side panel.



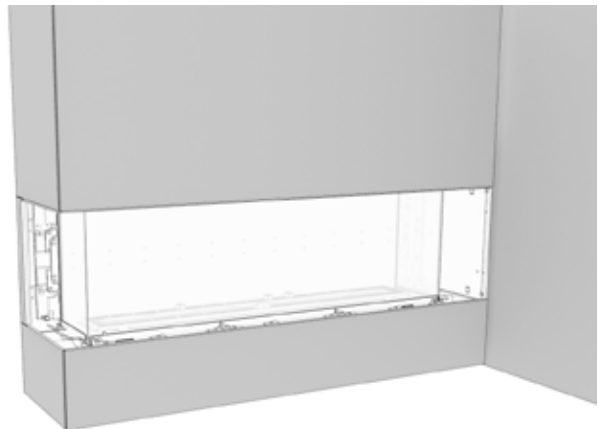
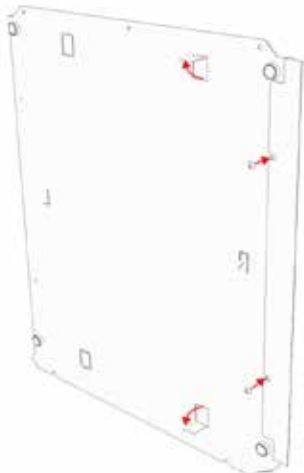
5. Screw in the three self-tapping screws at the top of the outer side panel to attach it to the firebox.



3. Screw removable trim on and bend tabs closest to the finishing trim inwards 90 degrees.

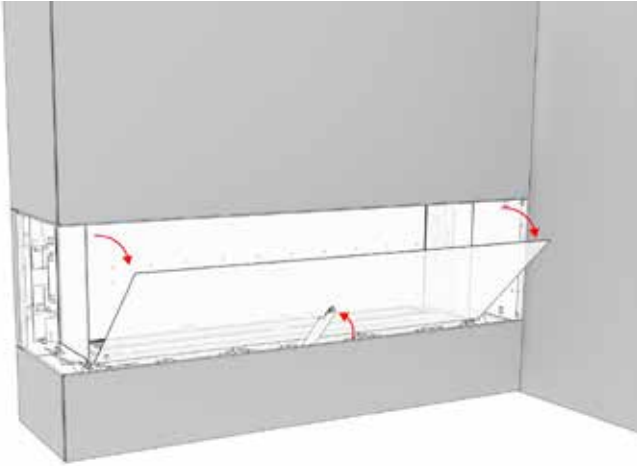


6. Unit can be placed in framing and finishing materials added at this point.

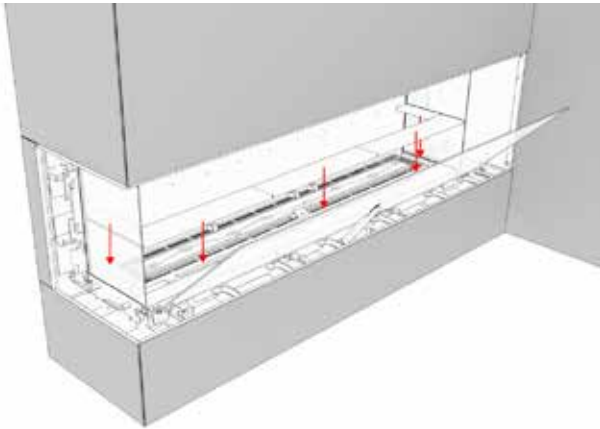


# installation

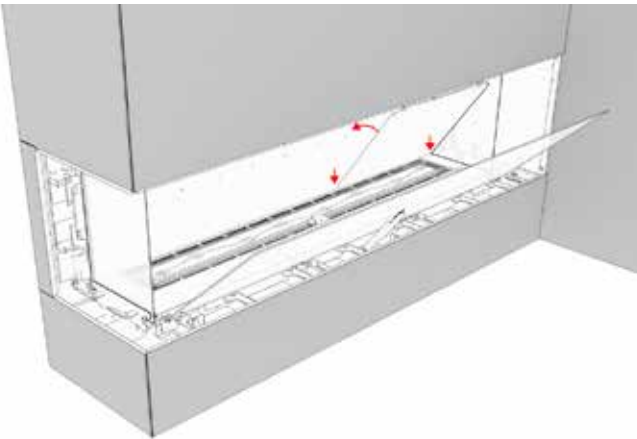
7. Lift the glass stop and open the glass.



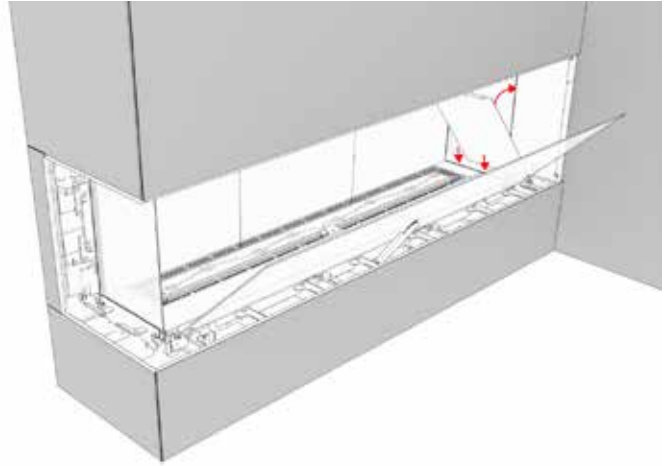
8. Install lower inner liner panels.



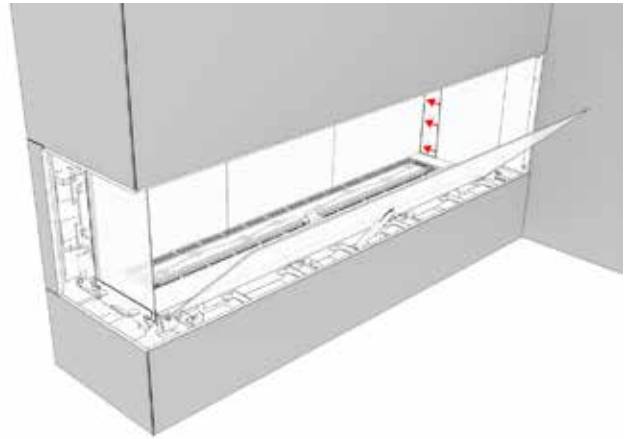
9. Install the back panels by angling the bottom of each panel towards the base of the firebox and then pushing them in.



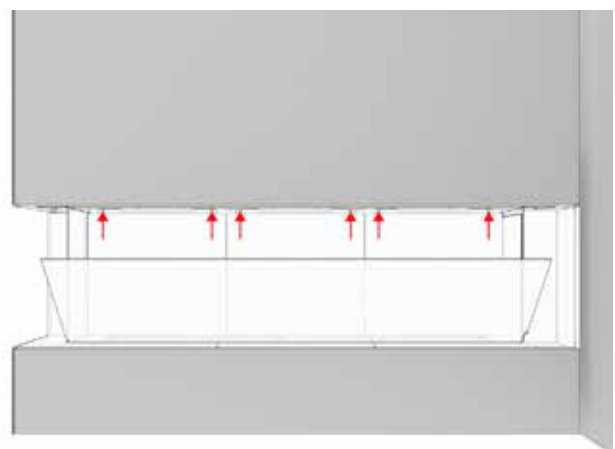
10. Install the inner panel for the corner conversion by wedging it into the inner lower liner panels.



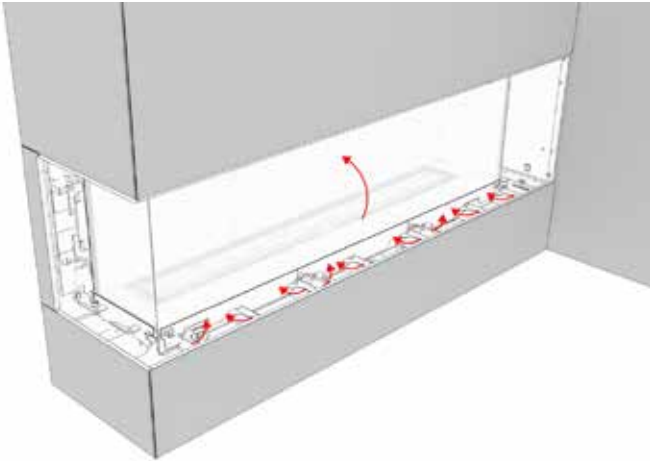
11. Slide the inner side panel in by wedging it between the side glass and the back liner panels.



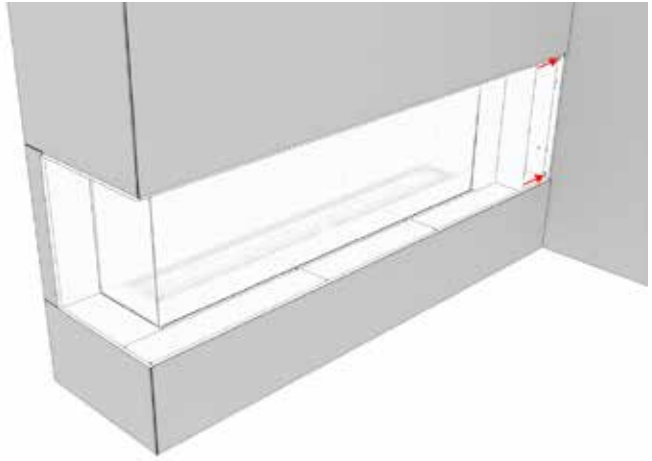
12. Once the inner side panel is wedged in place, tighten the hanger screws for the back liner panels.



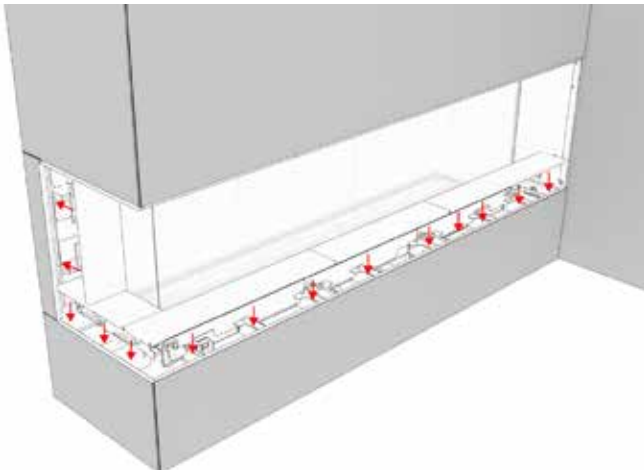
13. Close the glass, turn the glass lifters to the up position, and lock all the upper and lower clamps.



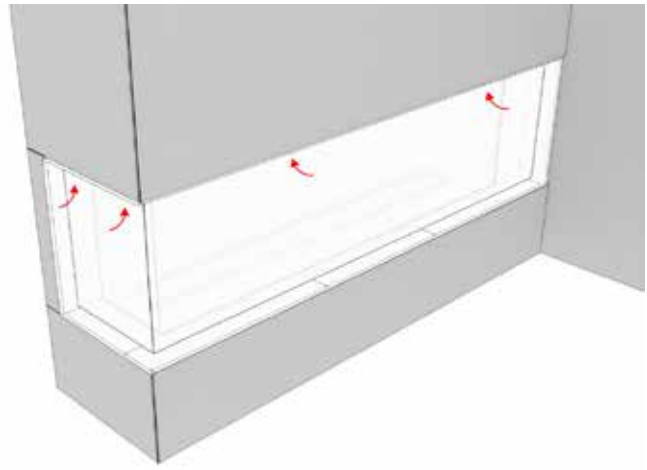
16. Slide the corner panel over to the outer side panel until contact with magnets is made.



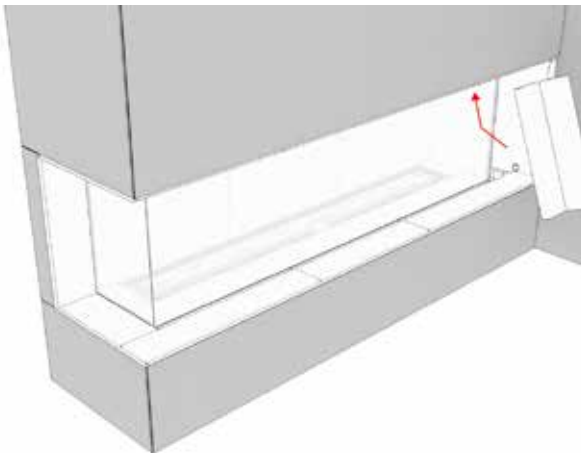
14. Install outer liner panels - there will be two left over.



17. Install barrier glass as per instructions in the manual.



15. Slide the corner panel up and in to secure it.



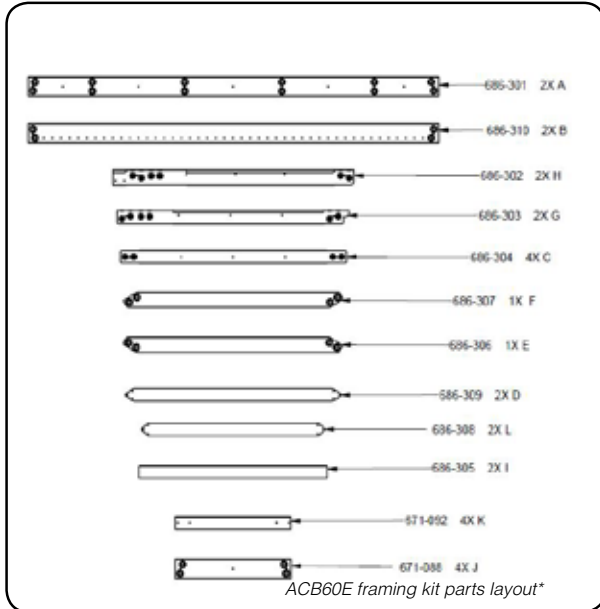
# installation

## Optional Framing Kit

### Tools/hardware required:

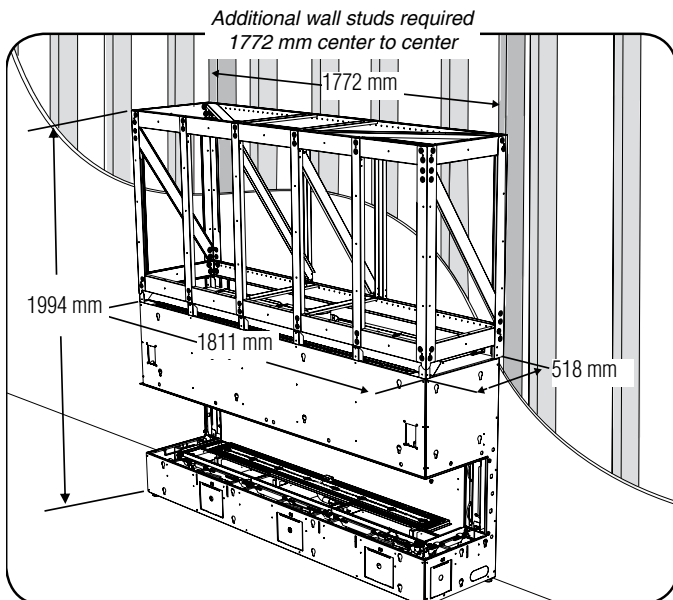
- Level
- Stud finder
- Cordless screwdriver
- Phillips bit
- 8 mm hex head bit
- 51 mm x 76 mm wood screws (minimum 16)
- Torch

Note: Extra screws are provided to assemble this kit.



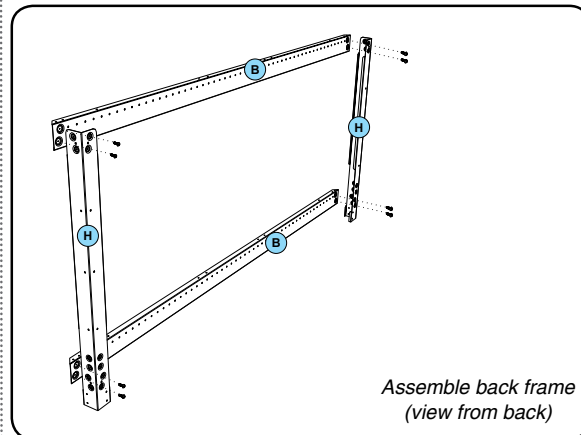
\*See last page of these instructions for assembled overview.

Before starting the installation, ensure the wall framing contains 2 additional studs spaced 1772 mm apart from center to center. The framing will need to be secured to these studs as well as secured to the original studs of the wall framing.

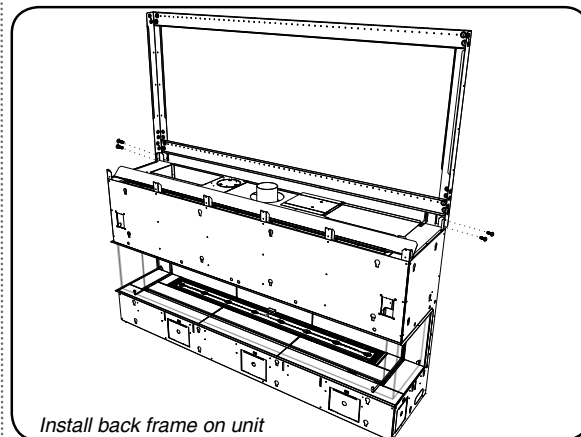


Framing Kit with unit - Overall dimensions

Note: Unit nailing strips are not required (and can be recycled) when using the framing kit.



1. Assemble the back frame as shown above by assembling 2x Part B with 2x Part H with 8 screws installed from back of frame.

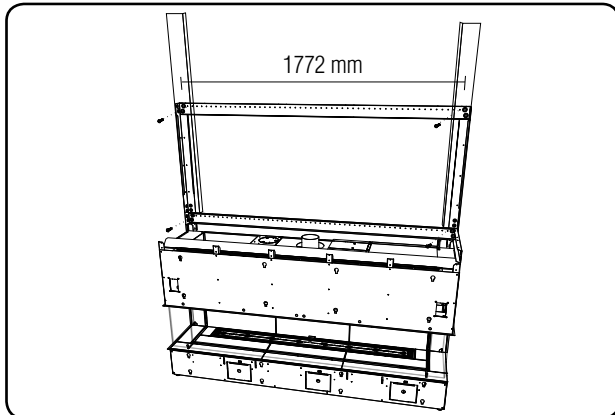


2. Install the frame assembled in Step 1, onto the back of the unit as shown above with 2 screws on each side.

3. Place unit against wall in desired location. Level the unit by adjusting 4 leveling bolts on unit.

4. Install venting before proceeding further with framing kit construction. Refer to manual for venting instructions.

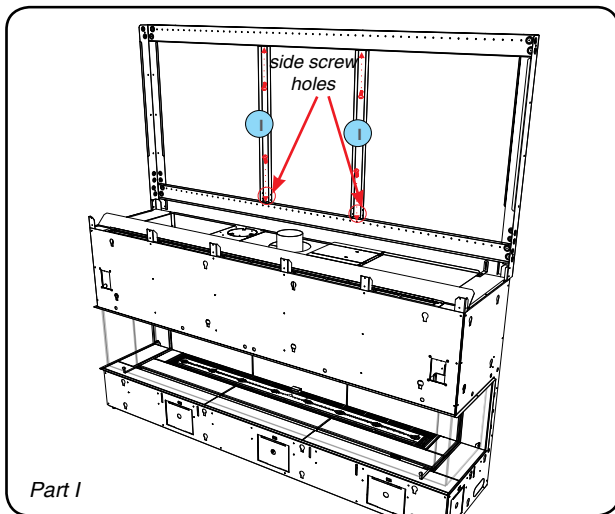
5. Secure the unit with framing to the wall studs with 64 mm - 76 mm wood screws (not supplied). Use 8 screws and secure to 4 studs minimum. Ensure the frame is also secured to the 2 additional studs spaced 1772 mm apart center to center, using the last hole on the upper and lower Part B as shown below.



Secure framing to wall

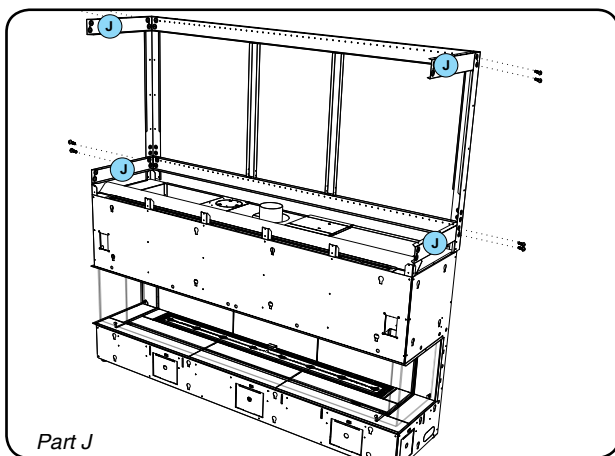
Note: only 2 additional studs shown (regular framing not shown)

6. Attach the 2 center supports (Part I) to upper and lower Part B of the back frame with 2 screws each, each as shown. Before installing Part I, turn it so that the side screw holes are on the lower end, next to lower Part B.



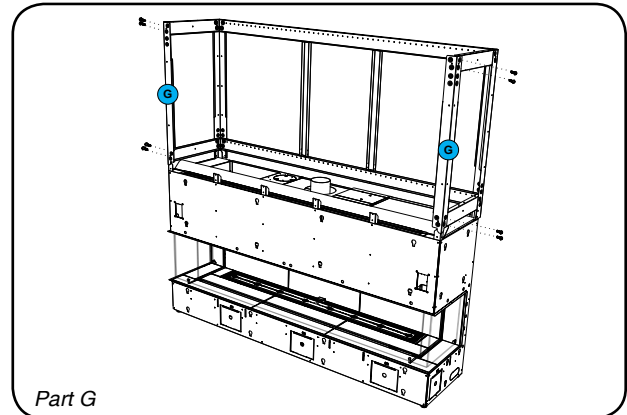
Part I

7. Attach the 4 x end pieces (Part J) to the upper and lower Part B of the back frame with two screws each.



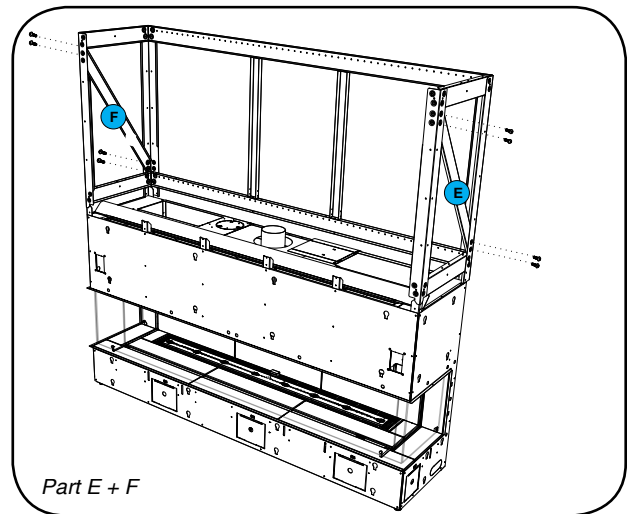
Part J

8. Attach 2 x Part G to the previously installed Part J parts with 2 screws at each end.



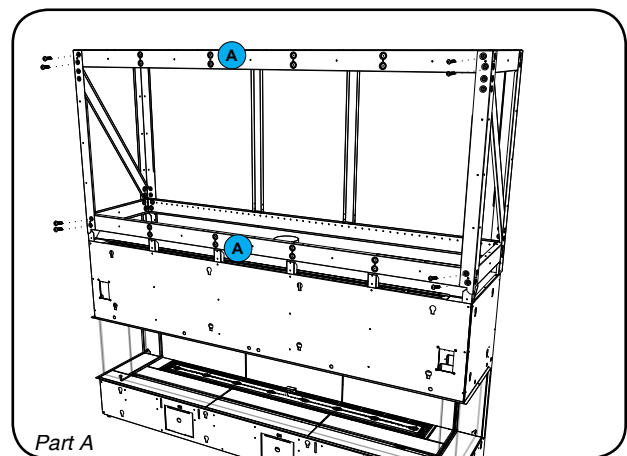
Part G

9. Attach end cross braces (Parts E + F) with 2 screws at each end as shown below.



Part E + F

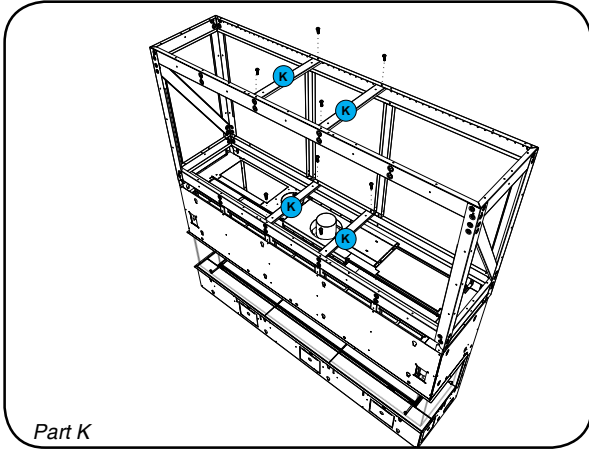
10. Install Part A (x2) to Part G on each side with 2 screws on each end.



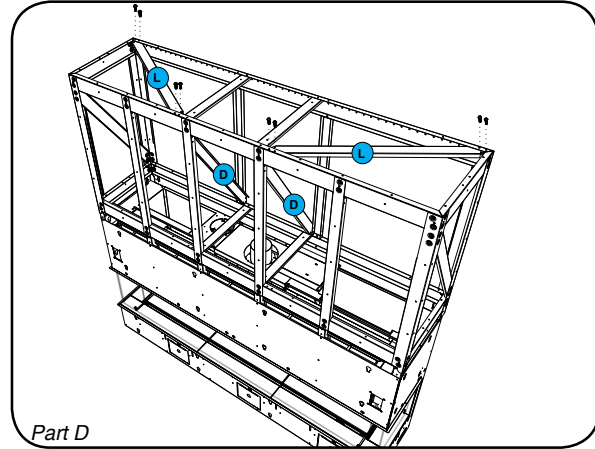
Part A

# installation

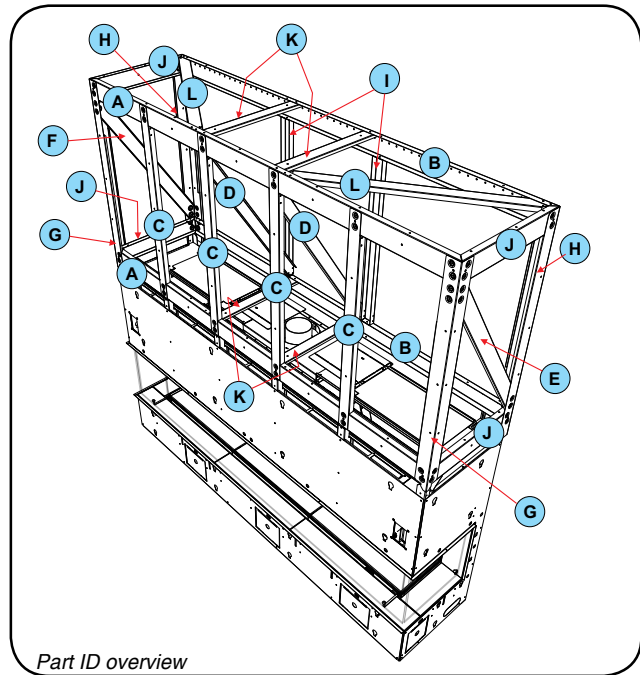
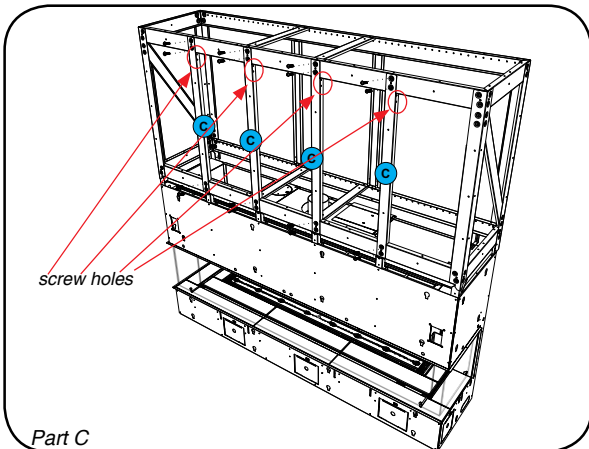
11. Install 4 horizontal mid braces (Part K) with one screw on each end (installed from the top).



13. Install 2 top and 2 inner diagonal supports (Part D) with 2 screws at each end.

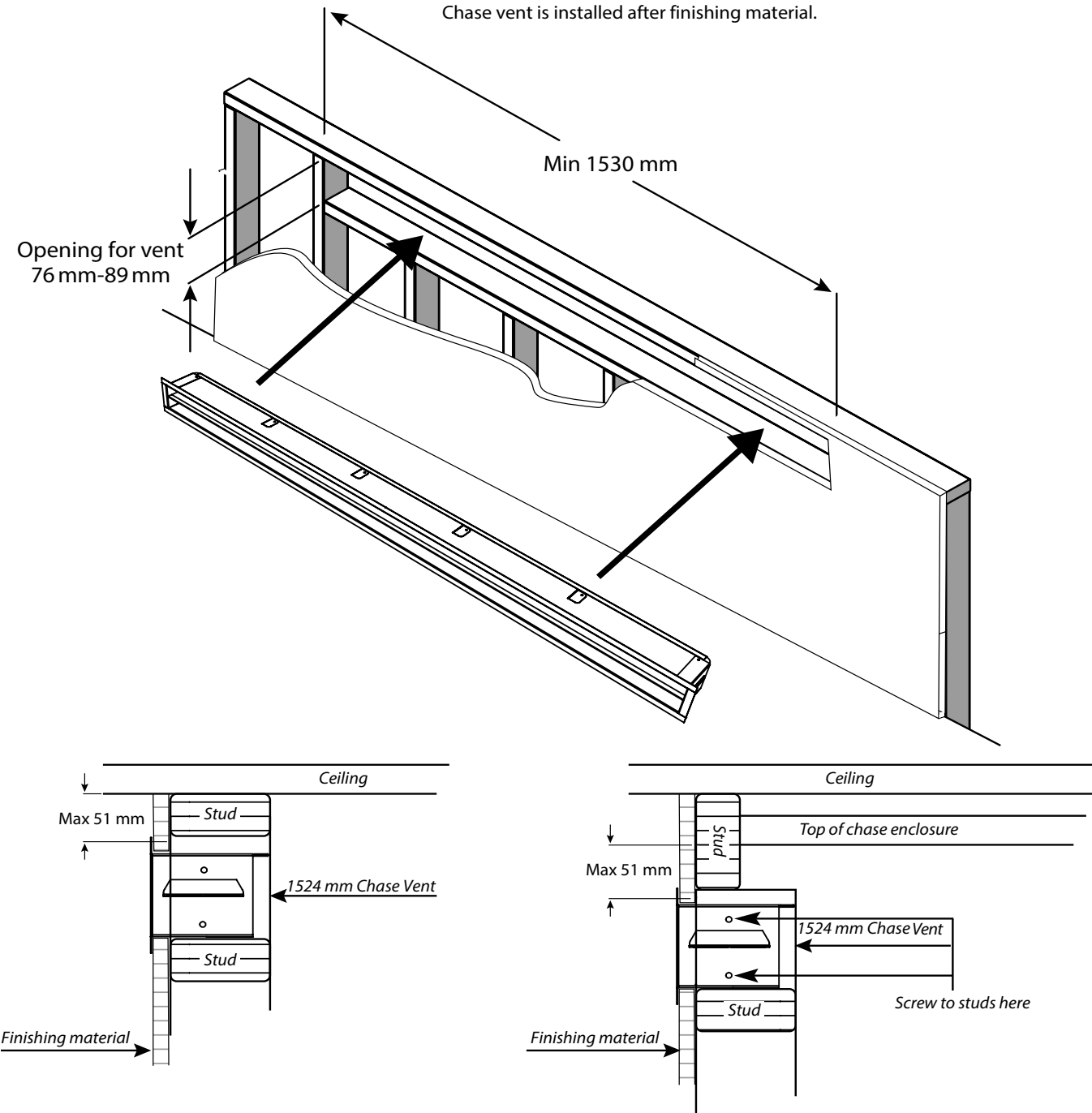


12. Install 4 front supports (Part C) to upper and lower Part A with 2 screws on each end. Before installing Part C, turn it so that the screw holes are at the top.



### Chase Vent Installation (White Front)

Framed opening must be between 76 mm and 89 mm tall and at least 1530 mm wide to accommodate the chase vent. The top of the chase vent opening must be 51 mm or less from the top of the chase enclosure.



# installation

## Wall Board/Plasterboard Installation

**WARNING!** Risk of Fire! Comply with all minimum clearances to combustibles as specified.

### Finishing Instructions

It is important to follow the framing and finishing instructions to ensure proper placement of fireplace into the surrounding framing/finishing materials. Wall board materials 13 mm. thick are specified in this installation manual to properly align with the optional finishing methods offered with this appliance. The ACB60E may be finished to the appliance opening with 13 mm thick plasterboard.

- Ensure that the back and side clearances are maintained.

**WARNING!** Risk of Fire! Maintain specified air space clearances to combustibles. Inadequate air space could cause overheating and fire.

**DO NOT** use screws more than 13 mm in length on the lower access cover panel. Longer screws may penetrate gas line or damage valve or electrical components. Note: It is acceptable to use a high temperature silicone sealant to adhere plasterboard to lower access cover panel.

The appliance is designed to be used with a minimum 13 mm wall sheathing materials such as plasterboard, plywood, wood composites, or non-combustible materials.

Thicker materials may be used. Refer to facing and finishing details in this manual.

### Facing Material

- Facing and/or finishing materials must never overhang into the glass opening. See finishing details in this manual.
- Facing materials may be combustible or non-combustible

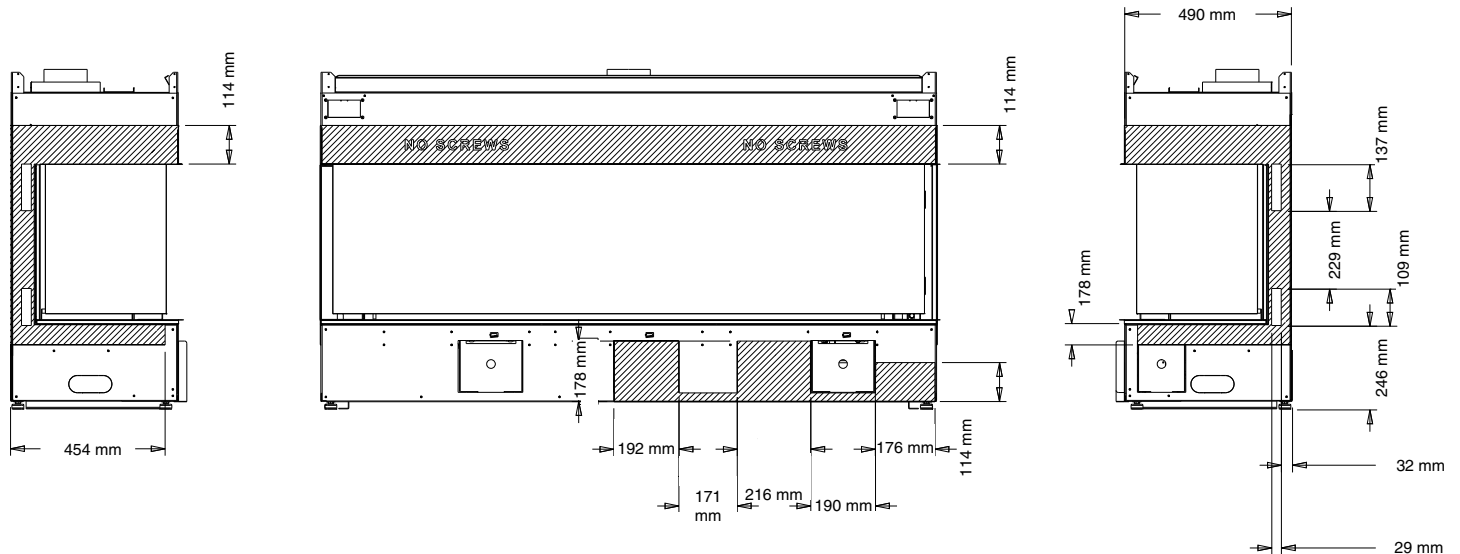
**WARNING!** Risk of Fire! DO NOT apply combustible materials beyond the minimum clearances. Comply with all minimum clearances to combustibles as specified in this manual. Overlapping materials could ignite and will interfere with proper operation.

### PAINTING

If desired finishing includes a painted wall, 100% acrylic latex, oil-based or standard acrylic paints may be used. Follow paint manufacturer's instructions for paint and primer application.

## No Screw Zones

No screw zones (in shaded areas) as shown below must be adhered to.





## Framing and Finishing Inset Installations

1. Frame in the enclosure for the unit with framing material

Note: When constructing the framed opening ensure there is access to install the gas lines, electrical. Also the wiring harness must be wall mounted using the receptacle provided with the appliance. The wiring harness will be located on the right hand side of the appliance if facing the unit from the front. This must be done prior to any finishing.

2. For exterior walls, insulate the enclosure to the same degree as the rest of the house, apply vapour barrier and plasterboard, as per local installation codes. (Do not insulate the fireplace itself.)

**WARNING:** Failure to insulate and add vapor barriers to the inside of the exterior wall will result in operational and performance problems including, but not limited to: excessive condensation on glass doors, poor flame package, carbon, blue flames etc. These are not product related issues.

3. **IMPORTANT:** The interior chase (back and sides) regardless where appliance is placed within the home also requires the use of plasterboard. All seams/joints **MUST** be sealed using plasterboard tape and mud. As this appliance has been designed with all hot air escaping through the enclosure using the ventilation grills, if hot air is trapped as a result of the hot air escaping through joints or other openings within the enclosure, this will change the clearances within the enclosure causing the enclosure to over heat.

Note that in all applications while there is a zero clearance to combustibles to the unit, all clearances to combustibles from the venting inside the chase still applies. Please see venting clearances in the specific product manual.

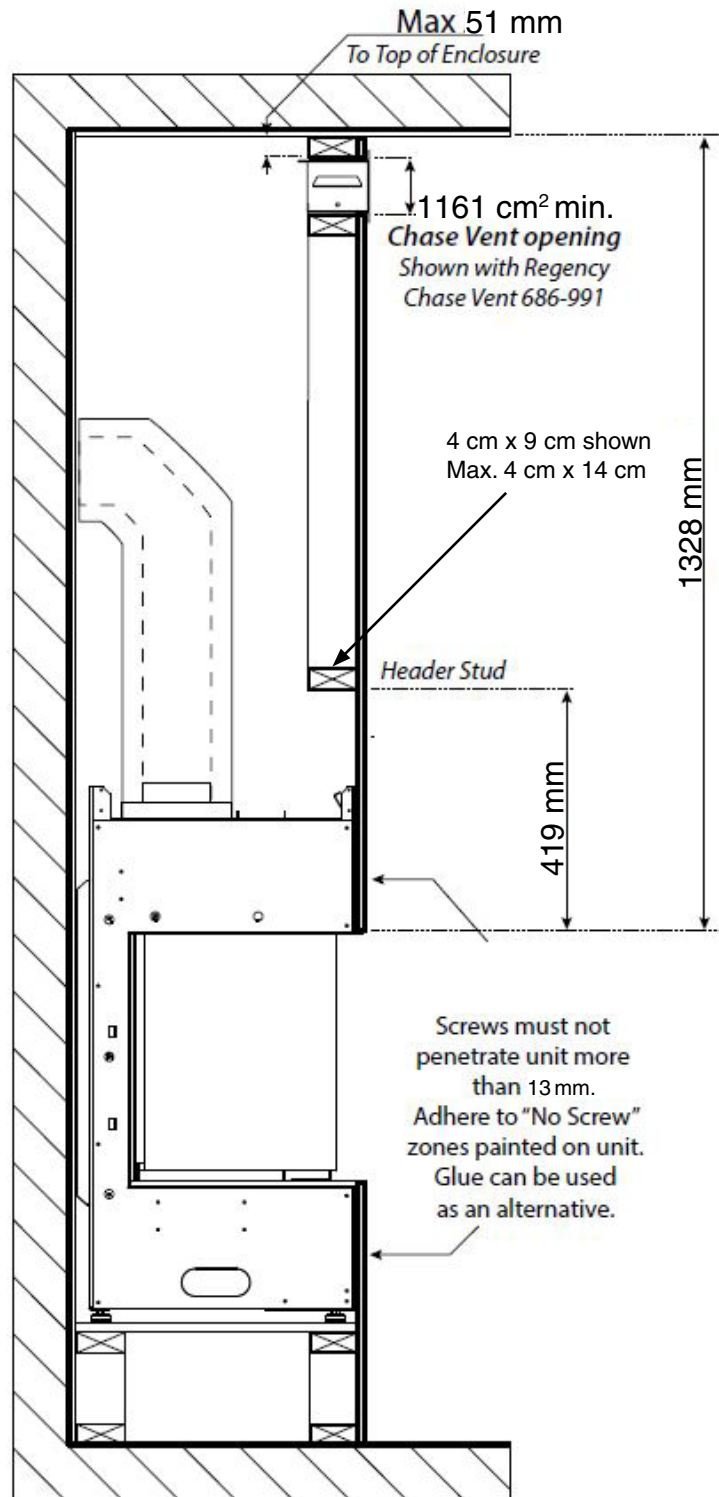
4. Combustible material (plasterboard, wood, wood panels, etc.) may be brought up to the appliance (top, bottom and sides)
5. Ensure that the material being used does not encroach anywhere in the area of the glass. This would cause dangerous operating conditions.
6. This appliance comes with a 13 mm lip at top and bottom to hide the ends of the plasterboard. The 13 mm side and bottom lip supplied with the appliance can alternatively be removed (see Diagram 1) and replaced with J Style Trim or Metal Corner Bead purchased at your local hardware store to cover cut/exposed edges of the combustible facing material or any other finishing materials being used. 6 screws secure the bottom lip — see Diagram 1. These will be hidden so the outer panels will need to be removed to access the screws. See outer panel removal in this manual.
7. This appliance can also be recessed (using combustible materials) with a hearth in front of the appliance. This can also extend to the top. See manual for details.

**Note :** Combustible material may extend a minimum of 13 mm and to a maximum of 133 mm from the front top (with larger glass). See mantle clearance chart for details. The base and side (with smaller glass) have no limit regarding how far the combustible material may extend from the appliance. Ensure that no material encroaches anywhere in the area of the glass as it is defined by the finishing lip surrounding the appliance.

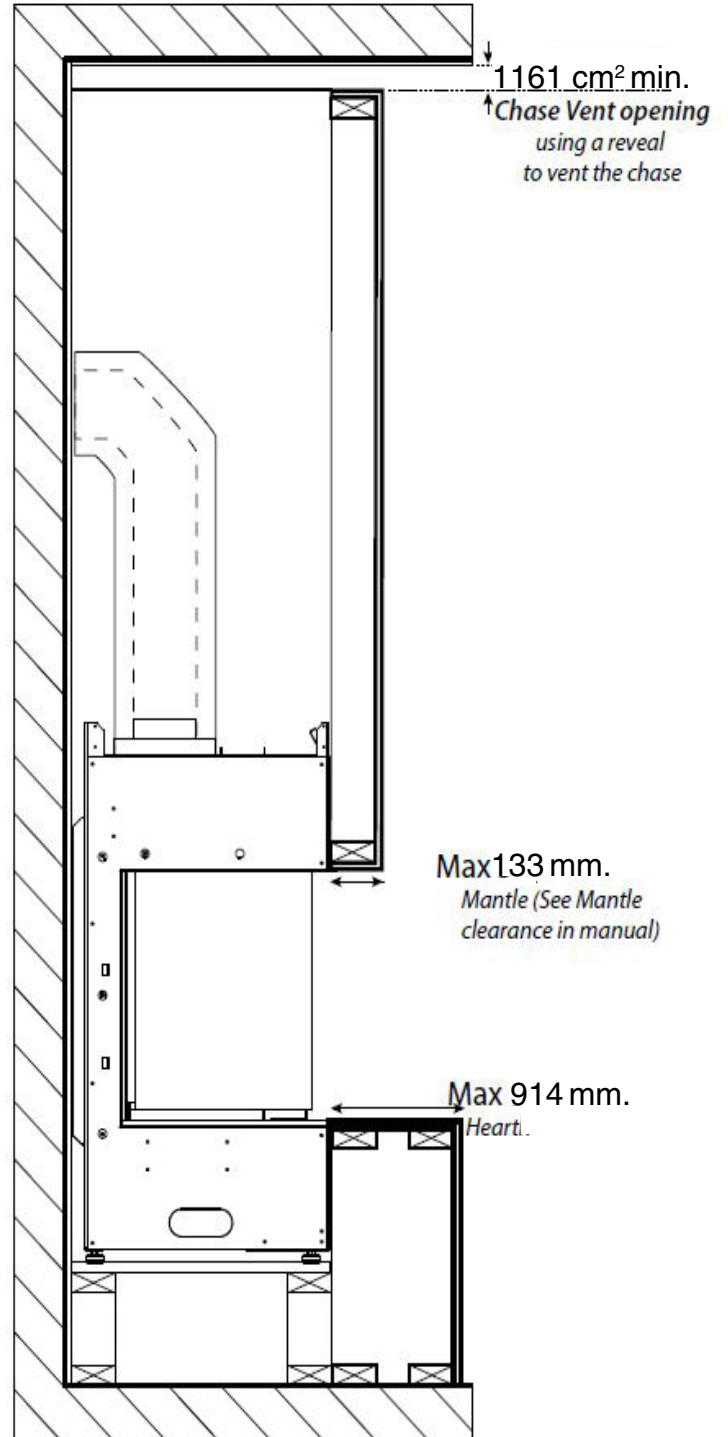
# installation

## Typical Installations

### Flush Install

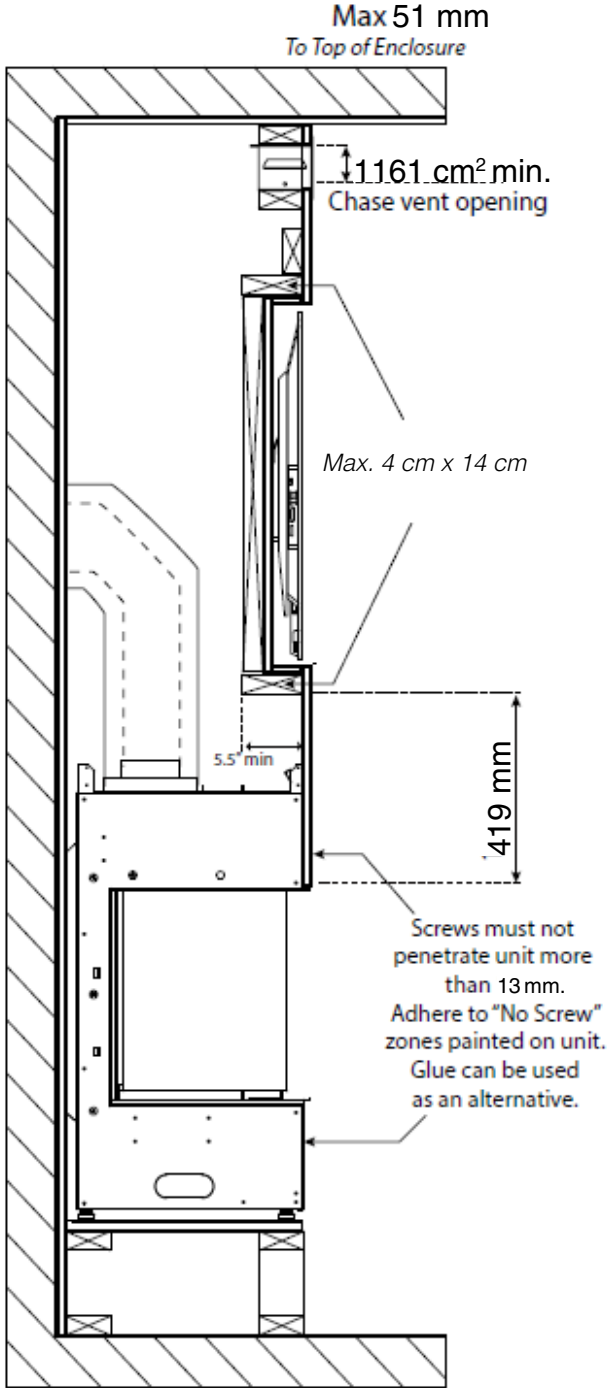


### Recessed Install

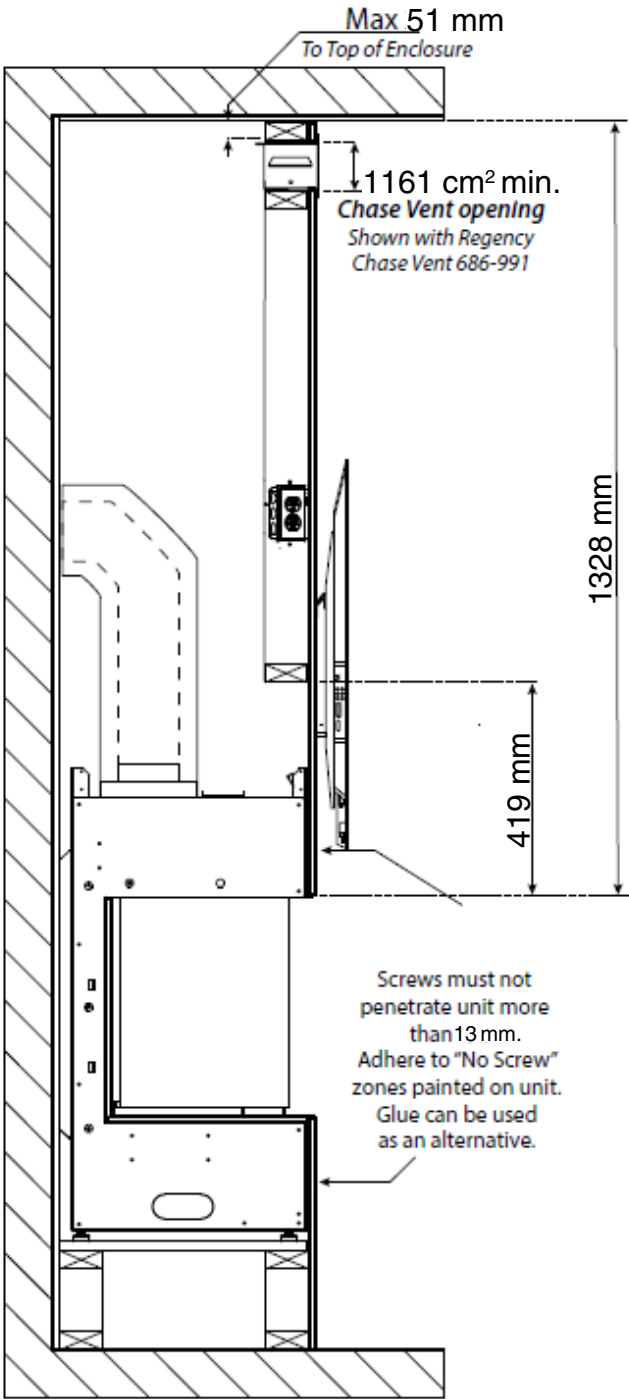


Typical Installations

Maximum TV Recess



Flush TV with Hearth

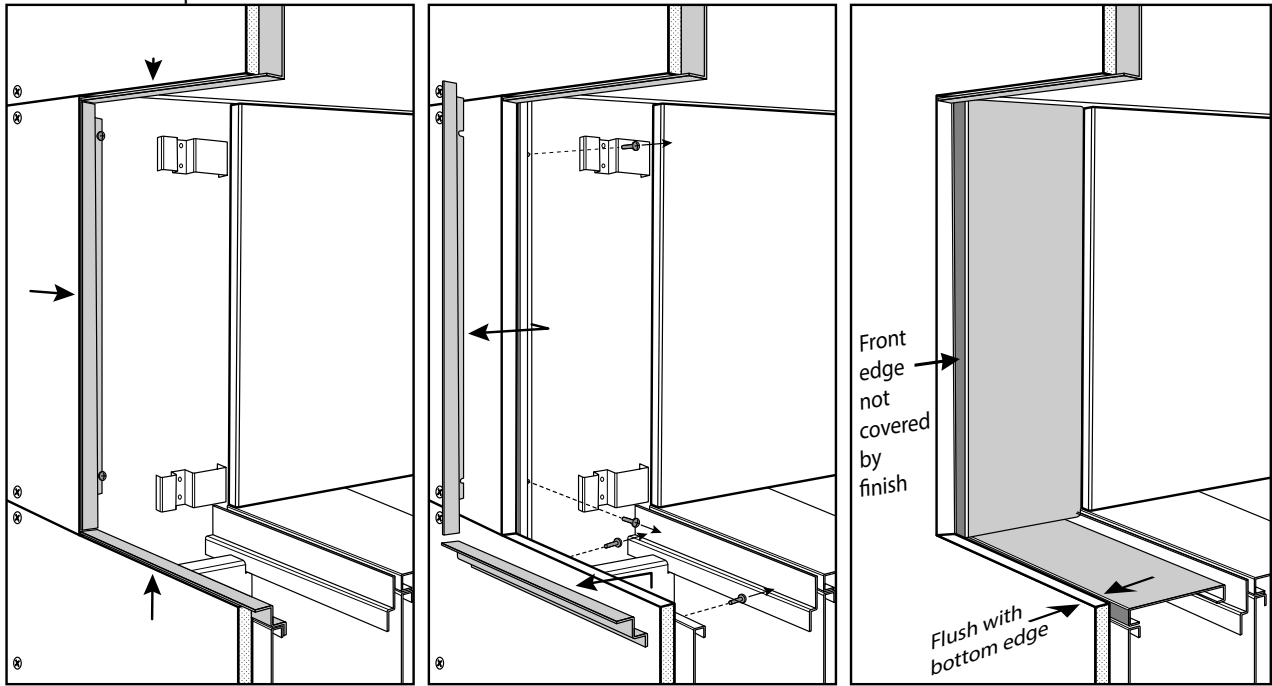


Note: The TV mounting bracket cannot be secured directly to the appliance. It must be secured to framing. The TV depicted in the picture may need to be higher depending on the style of TV mounting bracket used.

# installation

## Finishing

Flush Install Example

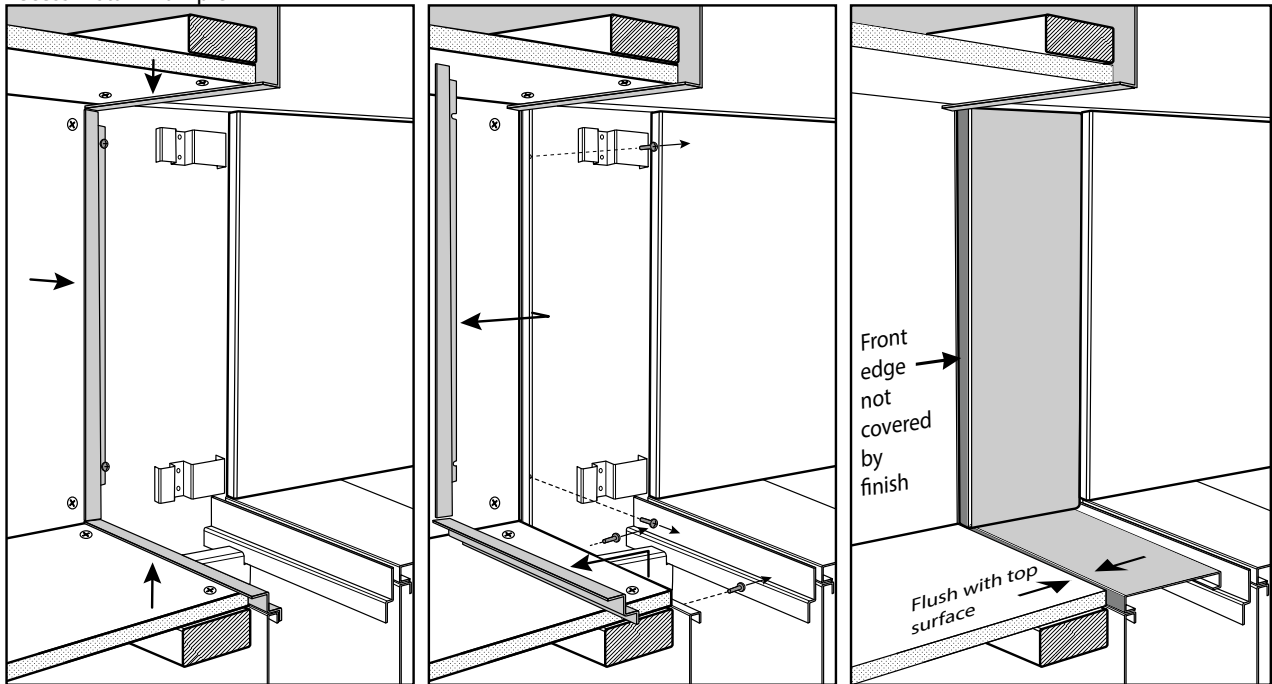


- Finish up to trim on all 4 sides

- Loosen screws using supplied Offset Screwdriver and remove bottom and side trim pieces

- Front edge of side liner panels must not be covered by finishing material or removal of the Firebox Glass will not be possible  
- Bottom edge should be flush with top surface of Inner Liner Panel

Recess Install Example



**Wall Mount On / Off Switch and Battery Holder Installation**

(Required for all installations)

**IMPORTANT INSTALLATION NOTE:**

The Battery Holder must be placed inside the supplied (Low Voltage) junction type wall box and installed into the wall only.

**DO NOT INSTALL WITHIN THE CONFINES OF THE FIREPLACE  
SWITCH MUST BE ACCESSIBLE**

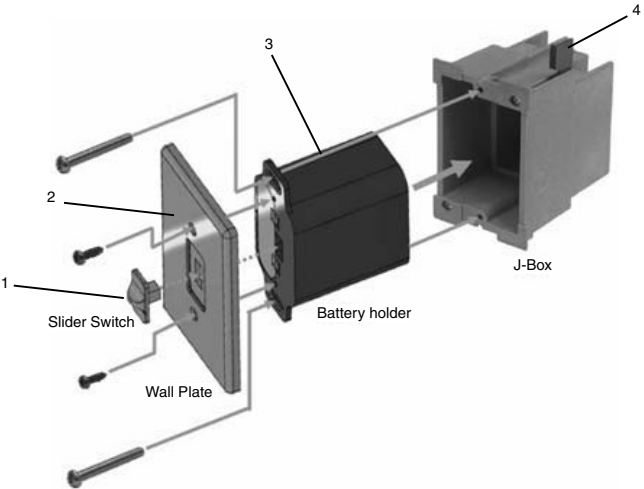
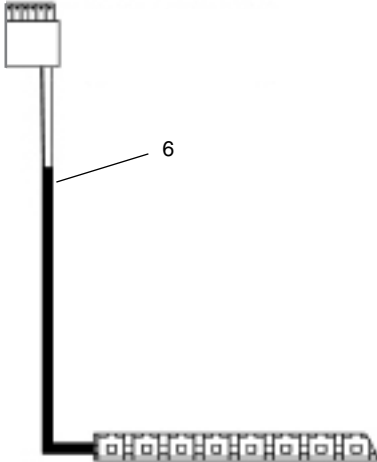
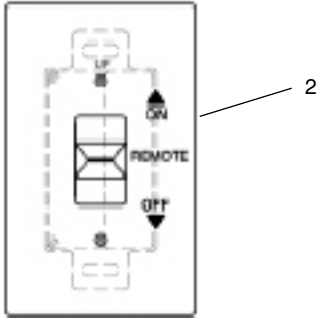
**Battery Holder Installation**

1. Install the low voltage junction box to the framing, at desired location within 3.5 m from fireplace.
2. Feed the 6 pin connector wiring harness through the opening at back of junction box. The wiring harness is located on the right hand side and must be installed prior to finishing.
3. Connect the 6 pin connector to the back of the Battery Holder.
4. Install the Battery Holder in the Low Voltage Junction box.
5. Insert the 4 AA type batteries in the battery compartment with the correct polarity.
6. Place the slider into the cover plate.
7. Put the Battery Holder switch in the "OFF" position, to allow correct lineup for slider switch.
8. Make sure the Battery Holder and cover plate words "ON" and "UP" are on the same side.
9. Align the slider with the switch on the Battery Holder and couple the switch into the slider.
10. Align the screw holes.
11. Using the two (2) screws provided secure the cover plate to the Battery Holder.
12. For coding instructions, see full details in this manual.



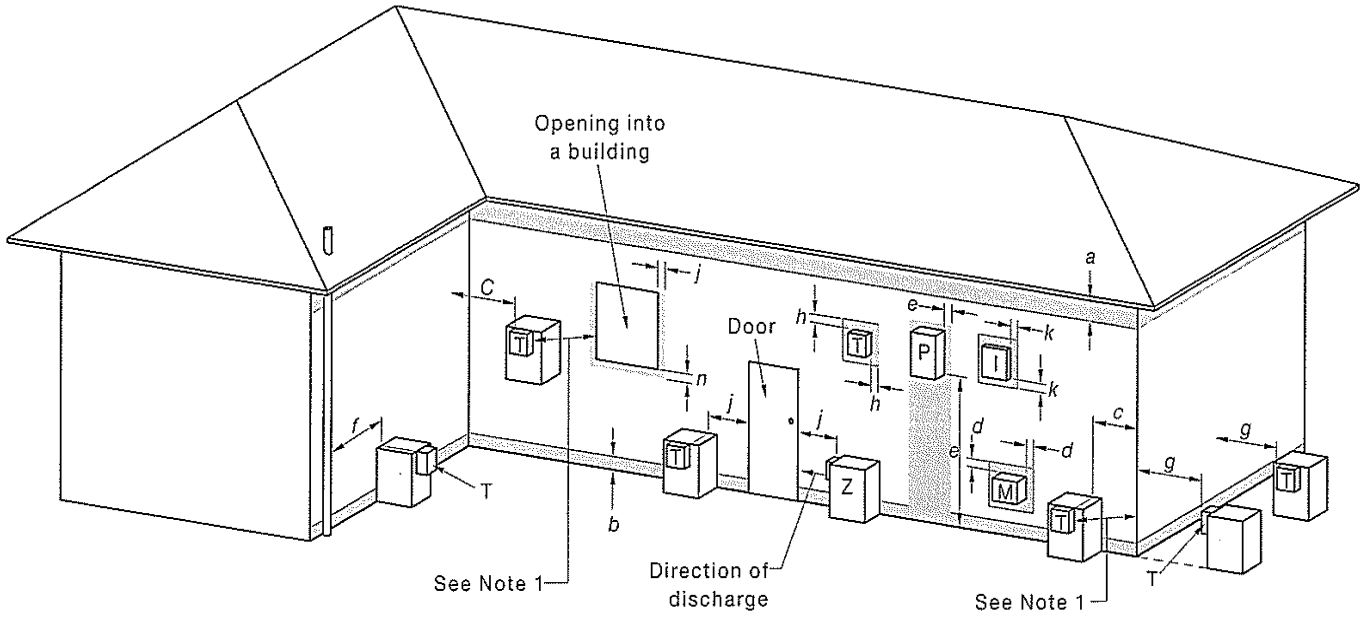
Low Voltage Junction Box

**Proflame Battery Holder**




Item	Part No.	Description
1	N/A	Slider Switch (included with wall plate)
2	911-335	Wall Plate - White
	911-343	Wall Plate - Black
3	911-337/P	Battery Holder
4	N/A	J-Box
5	910-369	Low Voltage Junction Box
6	911-181	Battery Holder Wire Harness

**Exterior Flue Termination Locations**



I = Mechanical air inlet    M = Gas meter    P = Electricity meter or fuse box    T = Flue terminal    Z = Fan-assisted appliance only

 Shading indicates prohibited area for flue terminals

**FIGURE 6.2 (in part): LOCATION OF FLUE TERMINALS OF BALANCED FLUE AS/NZ 5601, ROOM-SEALED, FAN ASSISTED OR OUTDOOR APPLIANCE**

**Clearances**

Ref.	Item	Minimum clearances (mm)	
		Natural Draught	Fan Assisted
<i>a</i>	Below eaves, balconies and other projections:		
	<i>Appliances up to 50 MJ/h input</i>	300	200
	<i>Appliances up to 50 MJ/h input</i>	500	300
<i>b</i>	<b>From the ground, above a balcony or other surface*</b>	300	300
<i>c</i>	From a return wall or external corner*	500	300
<i>d</i>	From a <i>gas meter</i> (M) (see Note 5) (see Clause 5.11, 5.9 for vent terminal location of regulator) (see Table 6.7 for New Zealand requirements)	1000	1000
<i>e</i>	From an <i>electricity meter</i> or <i>fuse box</i> (P) <sup>†</sup> (see Note 5)	500	500
<i>f</i>	From a drain or soil pipe	150	75
<i>g</i>	Horizontally from any building structure* or obstruction facing a terminal	500	500
<i>h</i>	From any other <i>flue terminal, cowl</i> , or combustion air intake	500	300
<i>j</i>	Horizontally from an openable window, door, non-mechanical air inlet, or any other opening into a building with the exception of sub-floor ventilation:		
	<i>Appliances up to 150MJ/h input*</i>	500	300
	<i>Appliances over 150MJ/h input up to 200 MJ/h input*</i>	1500	300
	<i>Appliances over 200MJ/h input up to 250 MJ/h input**</i>	1500	500
	<i>Appliances over 250MJ/h input*</i>	1500	1500
	All fan-assisted <i>flue appliances</i> , in the direction of discharge	-	1500
<i>k</i>	From a mechanical air inlet, including a spa blower	1500	1000
<i>n</i>	Vertically below an openable window, non-mechanical air inlet, or any other opening into a building with the exception of sub-floor ventilation:		
	Space heaters up to 50MJ/h input	150	150
	<b>Other appliances up to 50 MJ/h input</b>	500	500
	<b>Appliance over 50 MJ/h input and up to 150 MJ/h input</b>	1000	1000
	<b>Appliances over 150 MJ/h input</b>	1500	1500
<p>* Unless <i>appliance</i> is <i>certified</i> for closer installation.  <sup>†</sup> Prohibited area below electricity meter or fuse box extends to ground level.</p> <p>NOTES:                      1 Where dimension <b>c, j or k</b> cannot be achieved an equivalent horizontal distance measured diagonally from the nearest discharge point of the terminal to the opening may be deemed by the <i>Technical Regulator</i> to comply.                      2 See Clause 6.9.4 for restriction on the <i>flue terminal</i> under a covered area.                      3 See Figure J3 for clearances required from a flue terminal to an LP Gas cylinder. A flue terminal is considered to be a source of ignition.                      4 For appliance not addressed above acceptance should be obtained from the Technical Regulator.                      5 Minimum clearance <i>d</i> and <i>e</i> also apply to any combustion air intake openings of appliances.</p>			

# installation

## 127 mm x 203 mm Rigid Pipe - Cross Reference Chart only

Not all Rigid Pipe components are available directly from FPI.

Description	Simpson Direct Vent Pro®
152 mm Pipe Length-Galvanized	58DVA-06
152 mm Pipe Length-Black	58DVA-06B
229 mm Pipe Length-Galvanized	58DVA-09
229 mm Pipe Length-Black	58DVA-09B
305 mm Pipe Length-Galvanized	58DVA-12
305 mm Pipe Length-Black	58DVA-12B
457 mm Pipe Length-Galvanized	58DVA-18
457 mm Pipe Length-Black	58DVA-18B *
610 mm Pipe Length-Galvanized	58DVA-24
610 mm Pipe Length-Black	58DVA-24B
914 mm Pipe Length-Galvanized	58DVA-36
914 mm Pipe Length-Black	58DVA-36B
1219 mm Pipe Length-Galvanized	58DVA-48
1219 mm Pipe Length-Black	58DVA-48B
1524 mm Pipe Length-Galvanized	58DVA-60
1524 mm Pipe Length-Black	58DVA-60B *

Adjustable Length 76 mm-254 mm-Galvanized	N/A
Adjustable Length 76 mm-254 mm-Black	N/A
Adjustable Length 279 mm-356 mm -Galvanized	Disc. - See 58DV-08A
Adjustable Length 279 mm-356 mm-Black	Disc. - See 58DV-08B
Extension Pipe 432 mm-610 mm-Galvanized	Disc. - See 58DV-16A
Extension Pipe 432 mm-610 mm-Black	Disc. - See 58DV-16AB
Adjustable Length 216 mm-Galvanized	58DVA-08A*
Adjustable Length 216 mm-Black	58DVA-08AB
Extension Pipe 406 mm-Galvanized	58DVA-16A *

45° Elbow-Galvanized	58DVA-E45
45° Elbow-Black	58DVA-E45B
45° Elbow Swivel-Galvanized	Disc. - See 58DVA-E45
45° Elbow Swivel-Black	Disc.-See 58DVA-E45B
90° Elbow-Galvanized	58DVA-E90
90° Elbow-Black	58DVA-E90B
90° Elbow, Swivel-Galvanized	Disc. - See 46DVA-E45
90° Elbow, Swivel-Black	Disc. - See 46DVA-E45
90° Starter Elbow, Swivel-Galvanized	N/A
Adaptor*	N/A

Ceiling Support	58DVA-DC
Cathedral Support Box	58DVA-CS
Wall Support/Band	58DVA-WS
Offset Support	58DVA-ES*
Wall Thimble-Black	58DVA-WT
Wall Thimble Support/Ceiling Support	58DVA-DC*
Firestop Spacer	58DVA-FS
Trim Plate-Black	58DAV-WFS

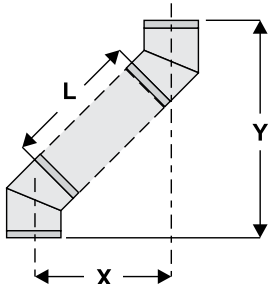
\* Not available from Regency



Description	Simpson Direct Vent Pro®
Attic Insulation Shield 305 mm	58DVA-IS*
Basic Horizontal Termination Kit (A)	N/A
Horizontal Termination Kit (B)	58DVA-KHA
Vertical Termination Kit	58DVA-VHA
High Wind Vertical Cap	58DVA-VCH
High Wind Horizontal Cap	N/A
Horizontal Square Termination Cap	N/A
Vertical Termination Cap	N/A
Storm Collar	58DVA-SC
Adjustable Flashing Flat - 26.57°	58DVA-F6
Adjustable Flashing 26.57°-45°	58DVA-F12
Vinyl Siding Standoff	58DVA-VSS
Vinyl Siding Shield Plate	N/A
Snorkel Termination 356 mm	58DVA-SNK14
Snorkel Termination 914 mm	58DVA-SNK36*
Restrictor Disk	N/A
Colinear Flex Connectors	N/A

\* Not available from Regency

FPI			
946-604/P	Simpson Direct Vent or Astro Cap -Vent Guard (Optional)	946-623/P	AstroCap XL Horizontal Cap
770-994	Rigid Pipe Adaptor (Must use with all rigid piping)		
		946-625	Vinyl Siding Standoff - AstroCap XL

<b>Offset Pipe Selection:</b> Use this table to determine offset pipe lengths.			
Pipe Length (L)	127 mm x 203 mm venting		
	Run (X)	Rise (Y)	
0 mm	144 mm	389 mm	
152 mm	224 mm	468 mm	
229 mm	278 mm	522 mm	
305 mm	330 mm	576 mm	
610 mm	697 mm	789 mm	
914 mm	757 mm	1002 mm	
1219 mm	972 mm	1216 mm	

# installation

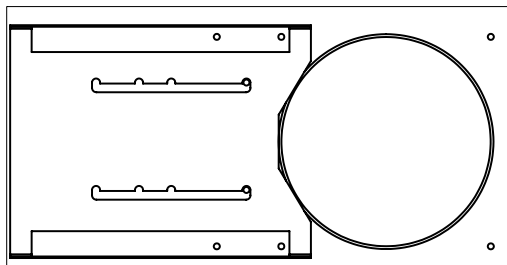
## Vent Restrictor Position

Vent restriction is required for certain venting installations, see the diagrams in the "Venting Arrangements" section to determine if they are required for your installation.

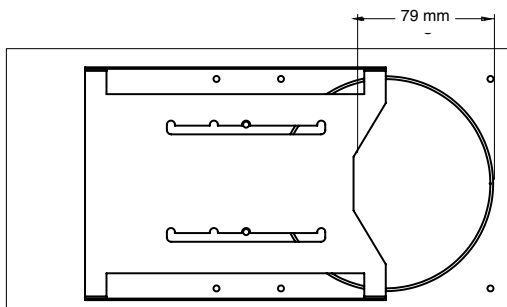
The Vent Restrictor plate is installed on the appliance at Set 0.

To set the vent restriction as indicated in the venting arrangements diagrams, refer to the following instructions;

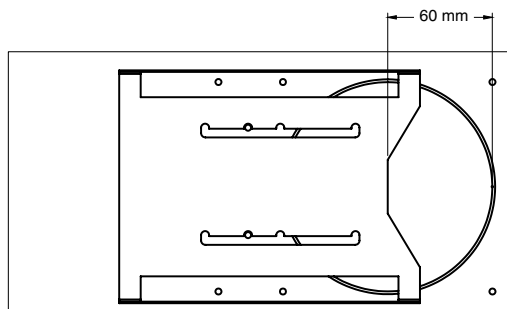
1. Remove the safety barrier glass and firebox glass--see instructions in this manual.
2. Adjust the vent restrictor plate to the required vent restrictor position as per the diagrams shown.
3. Once the vent restrictor plate is in the required position, secure with screws.



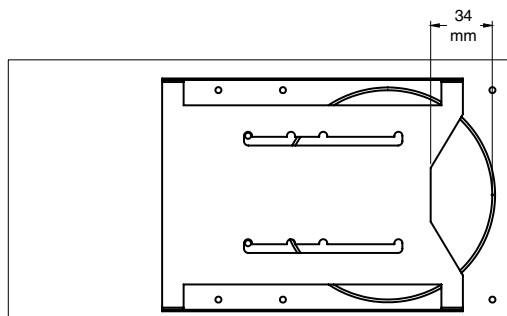
Set 0  
Fully open  
Factory Set



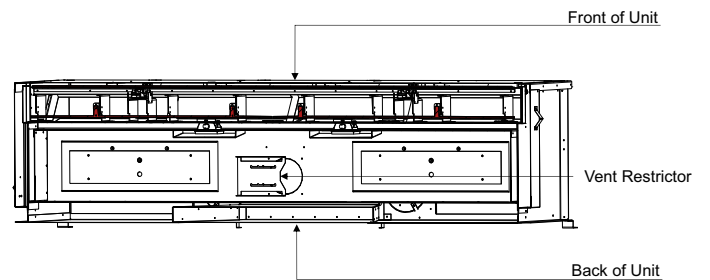
Set 1  
79 mm



Set 2  
60 mm



Set 3  
34 mm



*Cross section showing the ceiling of the firebox from the inside*

### Venting Introduction

The ACB60E uses the "balanced flue" technology Co-Axial system. The inner liner vents products of combustion to the outside while the outer liner draws outside combustion air into the combustion chamber thereby eliminating the need to use heated room air for combustion and losing warm room air up the chimney.

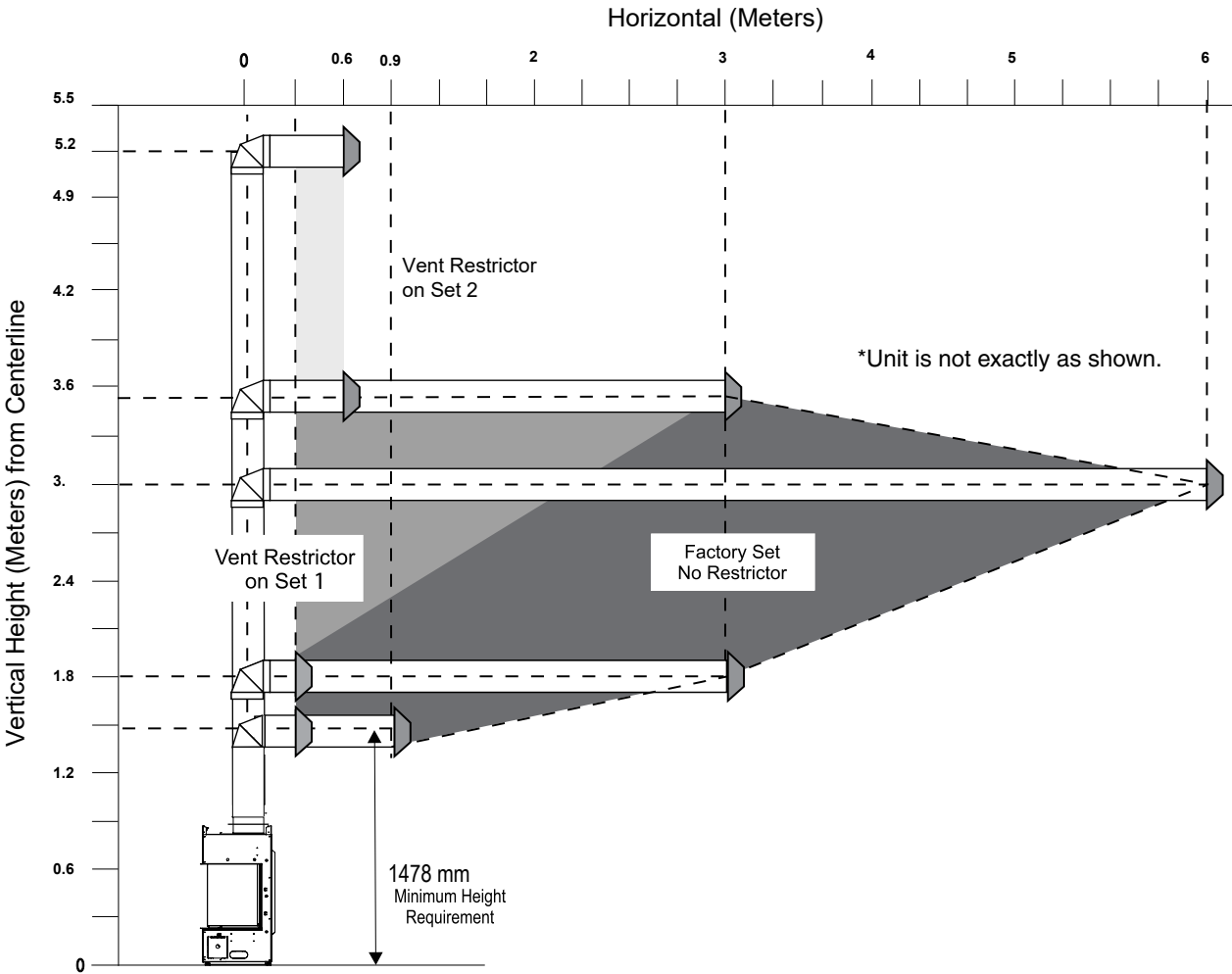
**Note:** These flue pipes must not be connected to any other appliance.

The gas appliance and vent system must be vented directly to the outside of the building, and never be attached to a chimney serving a separate solid fuel or gas burning appliance. Each direct vent gas appliance must use it's own separate vent system. Common vent systems are prohibited.

### Venting Arrangement for Horizontal Terminations

The diagram shows all allowable combinations of vertical runs with horizontal terminations, using one 90° (two 45° elbows equal one 90° elbow).

**Note:** Must use optional rigid pipe adapter (Part# 770-994) when using Rigid Pipe Venting Systems)



**VENT RESTRICTOR SETTING:**

**Vent restrictor factory set at Set 0.**

Refer to the "Vent Restrictor Position" section for details on how to change the vent restrictor from the factory setting of Set 0 to Set 2 if required.

**Note:** For horizontal terminations the Regency Direct Vent Flex System may be used for installations with a maximum continuous vent length of up to 3 meters. If longer runs are required, rigid pipe must be used.

- Maintain clearances to combustibles as listed in "Clearances" section
- Horizontal vent must be supported every 0.91 meters.
- Firestops are required at each floor level and whenever passing through a wall.
- A vent guard should be used whenever the termination is lower than the specified minimum or as per local codes.

# installation

## Horizontal Terminations - Flex Vent 127 mm x 203 mm

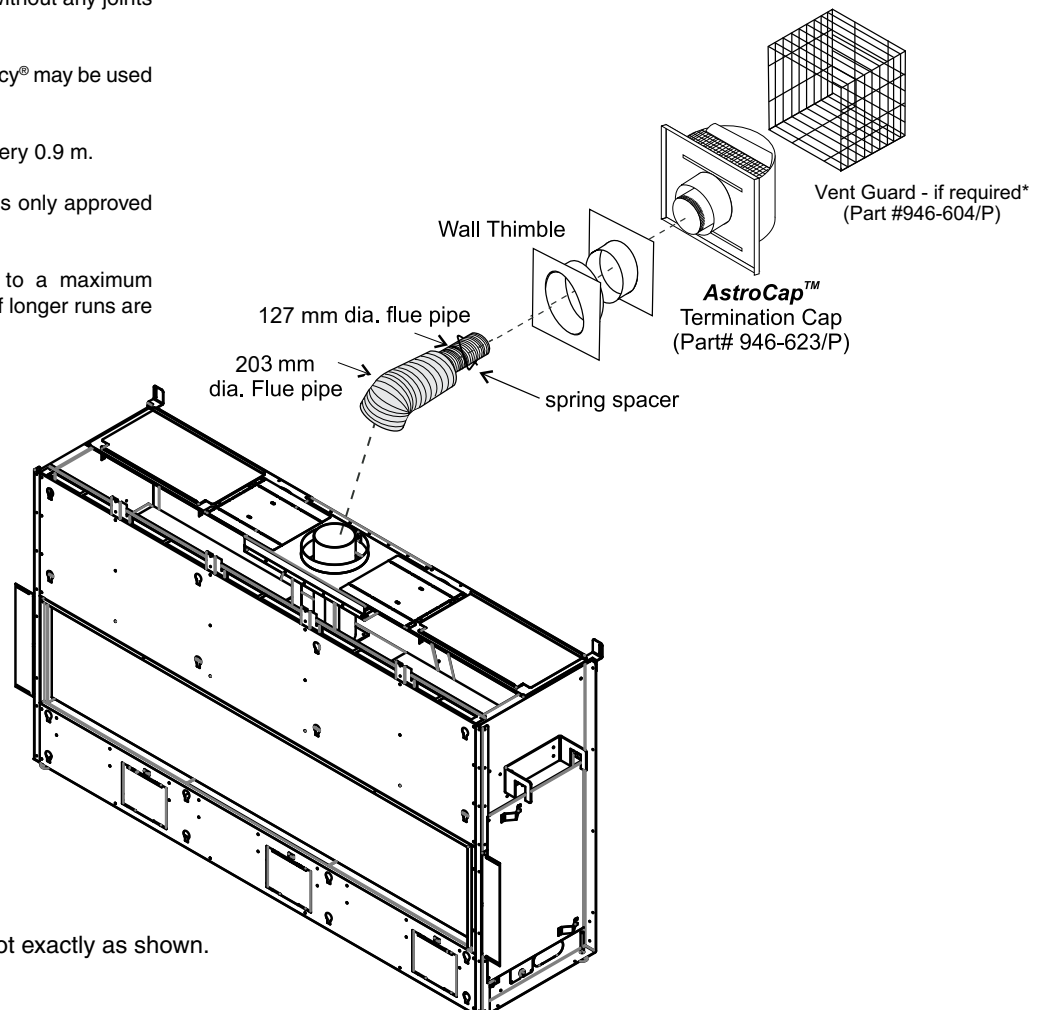
These venting systems, in combination with the ACB60E Direct Vent Gas Fireplace, has been tested and listed as a direct vent heater system by Intertek. The location of the termination cap must conform to the requirements in the Vent Terminal Locations diagram in "Exterior Vent Termination Locations" section.

Regency® Direct Vent (Flex) System Termination Kits include all the parts needed to install the ACB60E using a flexible vent.

FPI Kit #	Length	Contains:
#946-615	1.2 m	1) 203 mm flexible liner (Kit length) 2) 127 mm flexible liner (Kit length)
#946-618	1.8 m	3) spring spacers 4) thimble
#946-616	3 m	5) AstroCap XL termination cap 6) screws 7) tube of Mill Pac 8) plated screws 9) S.S. screws #8 x 1-1/2" drill point 10) vinyl siding standoff

### Notes:

1. Liner sections should be continuous without any joints or seams.
2. Only Flex pipe purchased from Regency® may be used for Flex installations
3. Horizontal vent must be supported every 0.9 m.
4. Regency® Direct Vent System (Flex) is only approved for horizontal terminations.
5. Flex system can only be used up to a maximum continuous vent length of up to 3 m. If longer runs are required, rigid pipe must be used.



**Horizontal Terminations - Rigid Pipe 127 mm x 203 mm**

The minimum components required for a basic horizontal termination are:

- 1 Horizontal Termination Cap
- 1 Rigid Pipe Adaptor (770-994)
- 1 Wall Thimble
- 1 Length of pipe to suit wall thickness (see chart)

Wall thickness is measured from the back standoffs to the inside mounting surface of termination cap. For siding other than vinyl furring strips may be used, instead of the vinyl siding standoff, to create a level surface to mount the vent terminal. The Terminal must not be recessed into siding. Measure the wall thickness including furring strips.

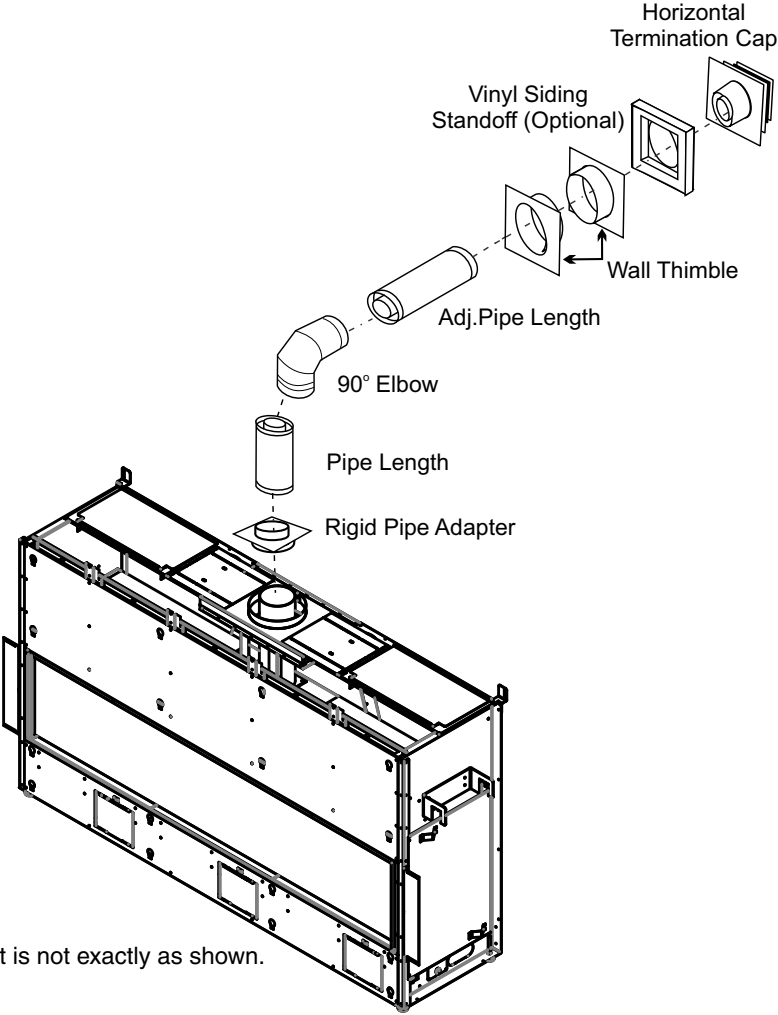
If a Vinyl Siding Standoff is required (it must be used with vinyl siding), measure to outside surface of wall without siding and add 51 mm.

Flat Wall Installation	
Wall Thickness	Vent Length Required
102 mm - 140 mm	152 mm
178 mm - 216 mm	229 mm
246 mm - 292 mm	305 mm
229 mm - 368 mm	279 mm - 371 mm Adj. Pipe
381 mm - 597 mm	432 mm - 610 mm Adj. Pipe

**WARNING:**

Do not combine venting components from different venting systems.

However use of the the AstroCap™ and FPI Riser is acceptable with all systems.



\*Unit is not exactly as shown.

When using Rigid Vent other than Simpson Dura-Vent, 3 screws must be used to secure rigid pipe to adaptor.

# installation

## Horizontal Terminations - Rigid/Flex Pipe 127 mm x 203 mm

The diagrams below show examples of horizontal termination arrangements using one, two, or three 90° elbows (two 45° elbows equal one 90° elbow).

1. A maximum of three 90° elbows are permitted.
  2. Minimum distance between elbows is 1 ft. (305 mm).
- Maintain clearances to combustibles as listed in the "Clearances" section.
  - Horizontal vent must be supported every 0.9 m feet.
  - Firestops are required at each floor level and whenever passing through a wall.
  - Must use optional rigid pipe adaptor (Part# 770-994) when using rigid pipe vent systems.
  - A vent guard should be used whenever the termination is lower than the specified minimum or as per local codes.
  - Flex system can only be used up to 3 m - otherwise rigid venting must be used.

### Horizontal Venting with Two 90° Elbows

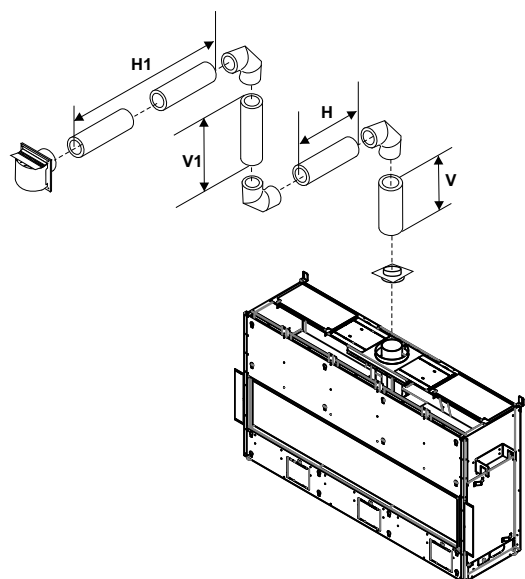
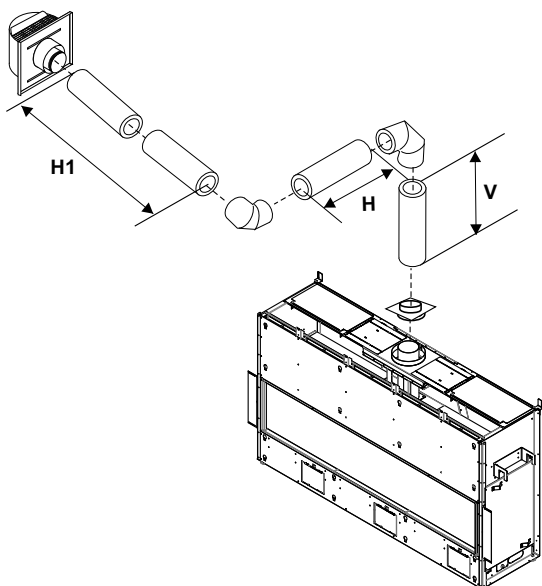
One 90° elbow = Two 45° elbows.

Option	V	H + H1	With these options, maximum total pipe length is 9.1 m with maximum of 2.4 m total horizontal.  <b>Please note minimum 0.3 m between 90° elbows is required.</b>
A)	0.3 m Min.	0.6 m Max.	
B)	0.6 m Min.	1.2 m Max.	
C)	0.9 m Min.	1.5 m Max.	
D)	1.2 m Min.	1.8 m Max.	
E)	1.5 m Min.	2.1 m Max.	
F)	1.8 m Min.	2.4 m Max.	
Restrictor Set 0 - Factory Setting			

### Horizontal Venting with Three 90° Elbows

One 90° elbow = Two 45° elbows.

Option	V	H	V + V1	H + H1	With these options, max. total pipe length is 9.1 m with max. 2.7 m total horizontal.  <b>Please note min. 0.3 m between 90° elbows is required.</b>
A)	0.3 m Min.	0.3 m Max.	0.6 m Min.	0.6 m Max.	
B)	0.3 m Min.	0.6 m Max.	0.9 m Min.	0.9 m Max.	
C)	0.6 m Min.	0.6 m Max.	1.5 m Min.	1.2 m Max.	
D)	0.9 m Min.	0.6 m Max.	2.1 m Min.	1.5 m Max.	
E)	1.2 m Min.	0.9 m Max.	2.7 m Min.	1.8 m Max.	
F)	1.5 m Min.	1.2 m Max.	3 m Min.	2.1 m Max.	
G)	1.8 m Min.	1.5 m Max.	3.3 m Min.	2.4 m Max.	
H)	2.1 m Min.	1.8 m Max.	3.6 m Min.	2.7 m Max.	
Restrictor Set 0 - Factory Setting					



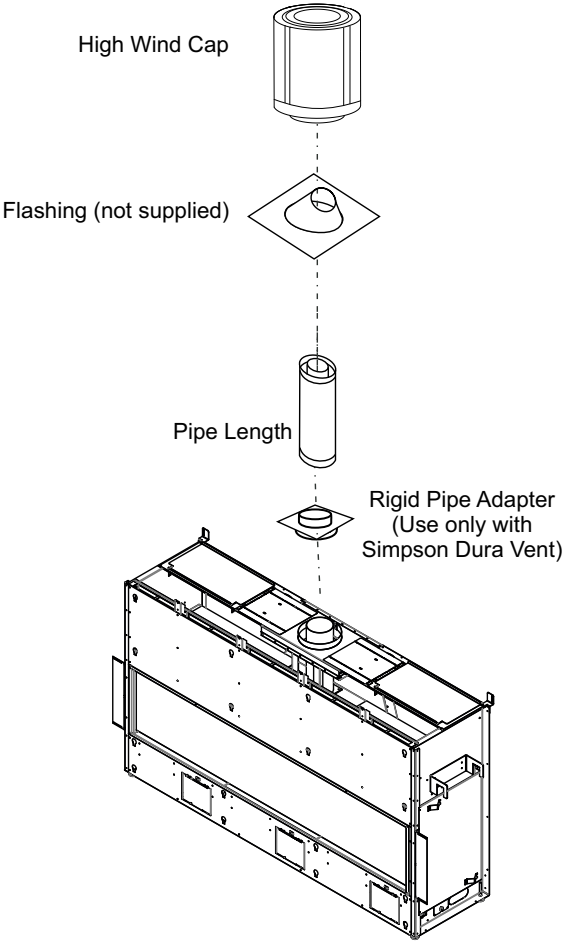
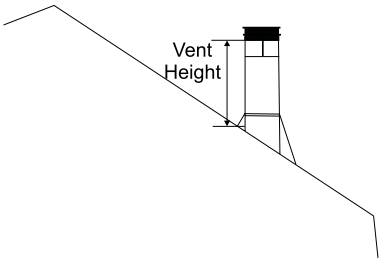
**Vertical Terminations - Rigid/Flex Pipe 127 mm x 203 mm**

The minimum components required for a basic vertical termination are:

- 1 Vertical Termination Cap
- 1 Rigid Pipe Adaptor (*Dura Vent Only*)
- 1 Lengths of pipe to adequately penetrate roof.
- 1 Flashing (as required per AS/NZS 5601-2013, to be supplied by installer.)

Wall thickness is measured from the back standoffs to the inside mounting surface of the termination cap. For siding other than vinyl, furring strips may be used instead of the vinyl siding standoff to create a level surface to mount the vent terminal. The terminal must not be recessed into the wall cladding. Measure the wall thickness including the wall cladding.

Roof Pitch	Meters
flat to 7/12	0.61
over 7/12 to 8/12	0.61
over 8/12 to 9/12	0.61
over 9/12 to 10/12	0.76
over 10/12 to 11/12	0.99
over 11/12 to 12/12	1.22
over 12/12 to 14/12	1.52
over 14/12 to 16/12	1.83
over 16/12 to 18/12	2.13
over 18/12 to 20/12	2.29
over 20/12 to 21/12	2.44



\*Unit is not exactly as shown.

**WARNING:**

Do not combine venting components from different venting systems.  
 However use of the the AstroCap™ and FPI Riser is acceptable with all systems.

**When using Rigid Vent other than Simpson Dura-Vent, 3 screws must be used to secure rigid pipe to adaptor.**

# installation

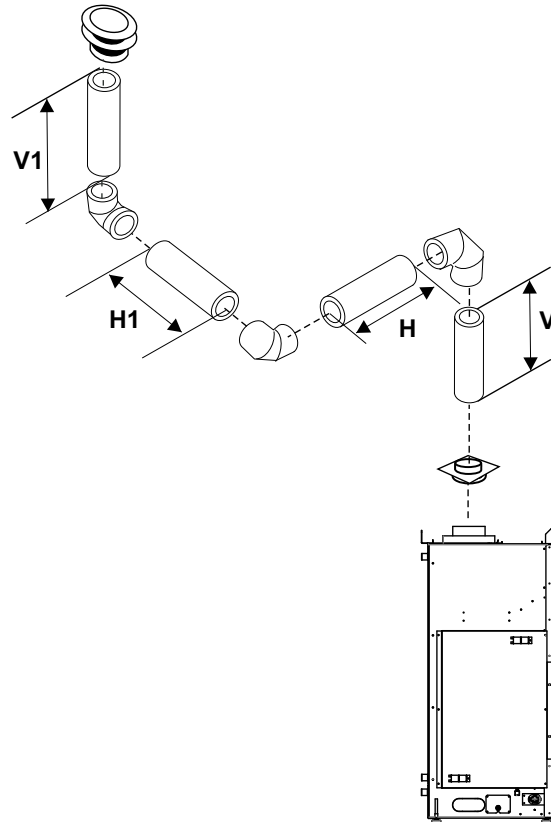
## Vertical Terminations - Rigid/Flex Pipe 127 mm x 203 mm

- Two 45° elbows equal to one 90° elbow. Maximum of six 45° elbows allowed.
- Vent must be supported at offsets.
- Minimum distance between elbows is 0.3 m.
- Maintain clearances to combustibles as listed in the "Clearances" section.
- Horizontal vent must be supported every 0.9 m feet.
- Firestops are required at each floor level and whenever passing through a wall.
- Must use optional rigid pipe adaptor (Part# 770-994 when using rigid pipe vent systems)

### Vertical Venting with Three (3) 90° Elbows

One 90° elbow = Two 45° elbows.

Option	V	H + H1	V + V1	
A)	0.3 m Min.	0.6 m Max	0.9 m Min.	With these options, max. total pipe length is 9.1 m with max. 2.4 m total horizontal.  <b>Please note min. 0.3 m between 90° elbows is required.</b>
B)	0.6 m Min.	0.9 m Max	1.2 m Min.	
C)	0.9 m Min.	1.2 m Max	1.8 m Min.	
D)	1.2 m Min.	1.5 m Max	2.1 m Min.	
E)	1.5 m Min.	1.8 m Max	2.4 m Min.	
F)	1.8 m Min.	2.1 m Max	2.7 m Min.	
G)	2.1 m Min.	2.4 m Max	3 m Min.	
Lengths do not include elbow indicated Restrictor Set 0 - Factory Setting				

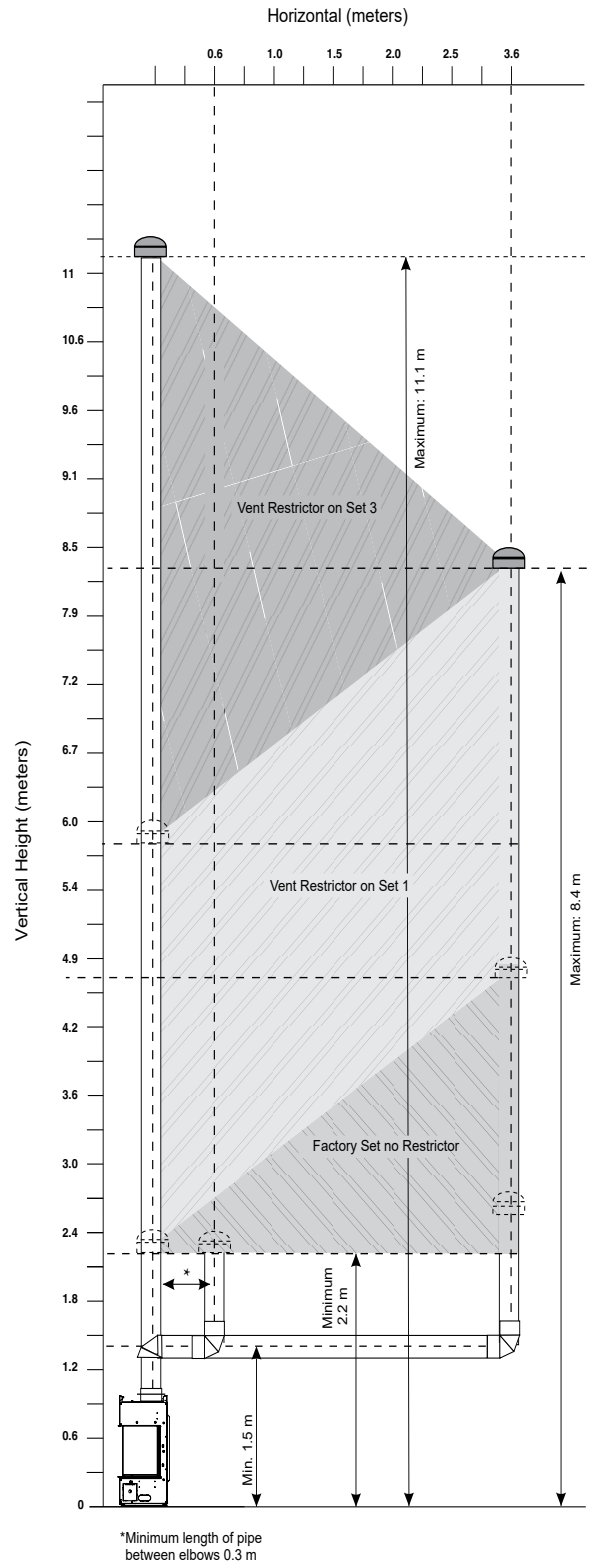




## Venting Arrangement With Straight Vertical Venting and/or With a Max. of Two 90° Elbows (1 - 90° = 2 - 45°)

The shaded area in the diagram shows all allowable combinations of straight vertical and offset to vertical **terminations**, using two 90° elbows, with Rigid/Flex Pipe Venting Systems.

- Two 45° elbows equal to one 90° elbow.
- Vent must be supported at offsets.
- Minimum distance between elbows is 0.3 m.
- Maintain clearances to combustibles as listed in the "Clearances" section.
- Horizontal vent must be supported every 0.9 m.
- Firestops are required at each floor level and whenever passing through a wall.
- Must use optional rigid pipe adaptor (Part# 770-994) when using rigid pipe vent systems.
- Refer to the "Vent Restrictor Position" section for details on how to change the vent restrictor from the factory setting of Set 0 through to Set 3 if required.



# installation

## Vertical Termination - 127 mm x 203 mm Flueing - Vertical Flex Kit (Part 946-772)

Must choose 1 of the following:

Part #	Description
946-772	Vertical Flex Kit 127 mm x 203 mm x 6.1 m

**NOTE** The roof flashing is not included with this kit and must be purchased separately.  
Vertical flex must still abide by the limitations set in the vertical venting charts.

- Maintain the 38 mm clearance (air space) to combustibles when passing through ceilings, walls, floors, enclosures, attic rafters or other nearby combustibles. Do not pack air spaces with insulation. Check venting sections for the maximum vertical rise of the venting system and the maximum horizontal offset limitations.

Ensure that you maintain clearances around enclosures, walls, below or above floors, floor joists, etc. Each appliance has different clearance requirements (top, sides, bottom). See specific appliance manual for details.

- Set the appliance in its desired position. Drop a plumb bob down from the ceiling/floor joist to the position of the appliance flue exit and mark the location where the vent will penetrate the ceiling. Drill a small hole at this point. Next drop a plumb bob from the roof to the hole previously drilled at the ceiling level and mark the spot where the vent will penetrate the roof.
- Cut a hole in the roof centered on the small hole placed in the roof in the previous steps. The hole should be a minimum of 279 mm. The hole may be round and or square.
- Slip the flashing under the shingles and line up flashing so it is centered to the hole (shingles should overlap half of the flashing) as per Diagram 1.

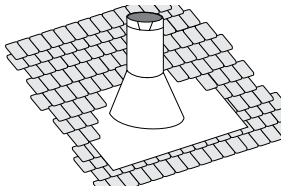


Diagram 1 The upper half of the flashing is installed under the roofing material and not nailed down until the chimney is installed. This allows for small adjustments.

- A ceiling firestop/firestop spacer must be installed when passing through each floor or ceiling level. To install the ceiling firestop/firestop spacer in a flat ceiling or floor joist cut a 279 mm square hole. Frame the hole as show in Diagram 2 and install the ceiling firestop. Slide the top attic insulation spacer onto the top of the attic insulation shield/firestop - See Diagram 2a. Secure with 4 screws/nails. If more than one is required, these can be purchased separately.

**Note:** The ceiling firestop/firestop spacer may be cut down to size if this shield is too high for the application.

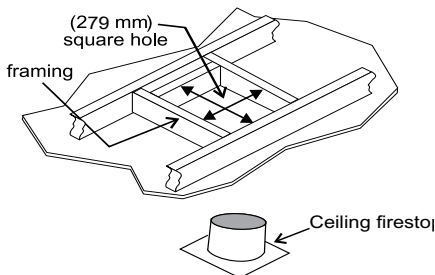
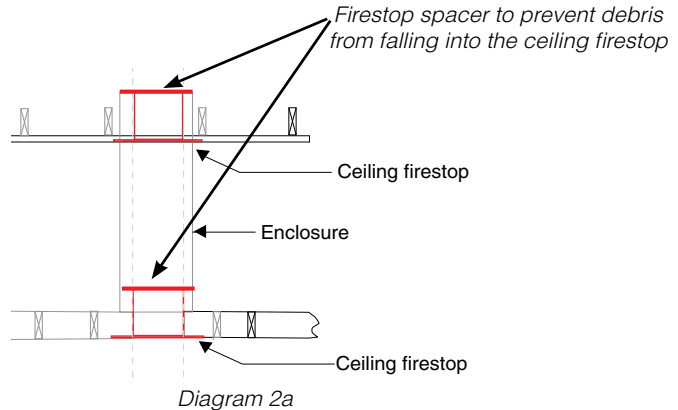


Diagram 2



- Determine the overall height of the chimney from the top of the appliance to the underside of the vent. If required cut the flexible inner and outer pipe to the desired length up to a maximum of 6.1 m.
- Put a bead of Mill-Pac around the 127 mm collar on the appliance and slide the inner flex pipe over the inner collar of the appliance and secure with a minimum of 3 screws.
- Install 127 mm spacers around 127 mm flex.
- Repeat Step 7 to install the outer pipe to the outer collar of the appliance.

**Note:** If an offset is necessary in the attic or floor joists it is important to support the vent pipe every 914 mm to avoid excessive stress and sagging of the vent pipe. Wall straps are provided (3 in total) for this purpose. All round/plumbers strapping may also be used if further supports are required.

- Attach the rigid pipe section to the adaptor by using MillPac on the inner/ outer pipe. Use 3 screws to secure outer pipe.
- Secure inner flex pipe to pipe adaptor using Mill-Pac over the adaptor. Slide the inner pipe over the flex to rigid adaptor and secure with 3 screws.
- Repeat Step 11 to secure outer flex.

**Vertical Termination - 127 mmx 203 mm Flueing - Vertical Flex Kit (Part 946-772)**

13. Slide the finished length up towards the flashing ensuring the length of pipe is a minimum of 0.6 m measured from the top of the roof. Level the chimney and secure using the roof support provided with kit to bottom side of the roof as shown using a minimum of 2 screws per side- see Diagram 3b. See Diagram 4 for roof pitch and height requirements. See Diagram 3a for securing method if 0.6 m is insufficient and additional lengths are required, this may be purchased separately. See Simpson Duravent components list in the instruction manual for part numbers.

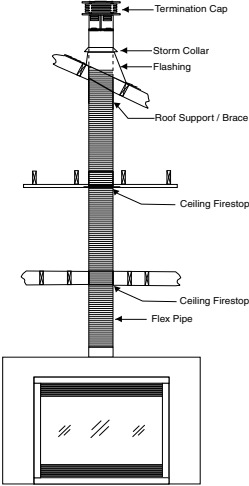
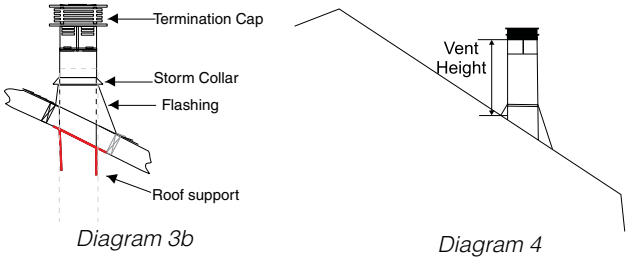


Diagram 3

Roof Pitch	Minimum Vent Height
	Meters
flat to 7/12	0.61
over 7/12 to 8/12	0.61
over 8/12 to 9/12	0.61
over 9/12 to 10/12	0.76
over 10/12 to 11/12	0.99
over 11/12 to 12/12	1.22
over 12/12 to 14/12	1.52
over 14/12 to 16/12	1.83
over 16/12 to 18/12	2.13
over 18/12 to 20/12	2.29
over 20/12 to 21/12	2.44

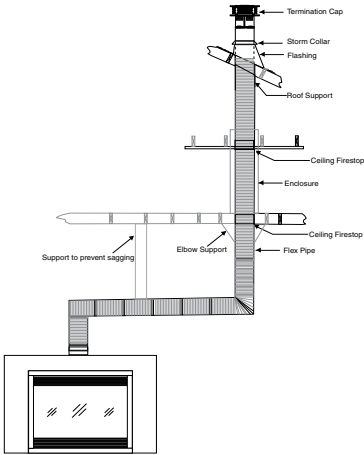


Diagram 3a

- 14. Put a bead of caulking on the exterior between the outer pipe and flashing to prevent water from penetrating the chimney system.
- 15. Slide storm collar over pipe length until it reaches the flashing.
- 16. Install termination cap by twist locking it.
- 17. Secure the flashing to the roof using screws

**Note:** Any closets or storage spaces which the vent passes through must be enclosed.

# installation

## Vertical Flue Extension Kit (Approved Models) (Part # 946-769)

Used in conjunction with the 946-772 Vertical Flex Kit for vertical installations.

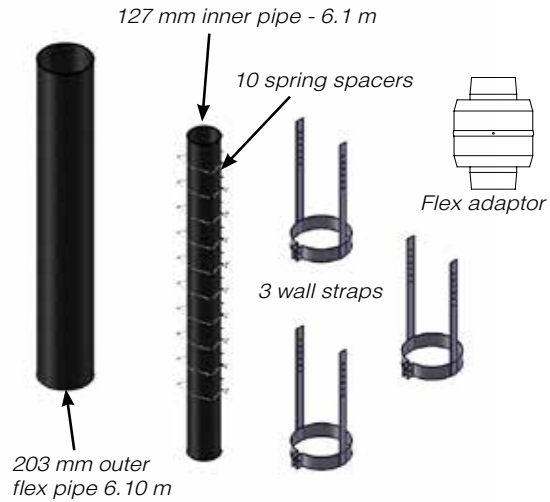
1. Stretch out both inner 127 mm and outer 203 mm pipe up to a maximum of 6.1 m.

**NOTE** The inner and outer pipes may be cut if only a short length is required.

2. Install spring spacers around 127 mm inner pipe as shown. Slide outer flex pipe over and all the way down the 127 mm pipe.
3. Apply a bead of Mill Pac around the perimeter of the 127 mm inner collar of the flex adaptor and slip the 127 mm inner flex pipe from the Vertical termination kit over the flex adaptor ensuring that the inner flex pipe overlaps the collar by at least 35 mm. Fasten with 3 screws.
4. Apply a bead of Mill Pac around the perimeter of the 203 mm outer collar of the flue adaptor and slip it over the 203 mm outer flex pipe from the vertical termination kit ensuring that the outer flex pipe overlaps the collar by at least 35 mm. Fasten with the 3 screws.
5. Repeat steps to secure the other end of the flex adaptor using the flex kit.
6. See vertical vent installation instructions for installation of the complete vent system.

**NOTE** If an offset is necessary in the attic or floor joists it is important to support the vent pipe every 0.91 m to avoid excessive stress and sagging of the vent pipe. Wall straps are provided (3 in total) for this purpose.

All round/plumbers strapping may also be used if further supports are required.



## Ceiling Firestop / Firestop Spacer (Part 946-770)

Used in conjunction with the 946-772 Vertical Flex Kit and 946-769 Vertical Flex Extension Kit.

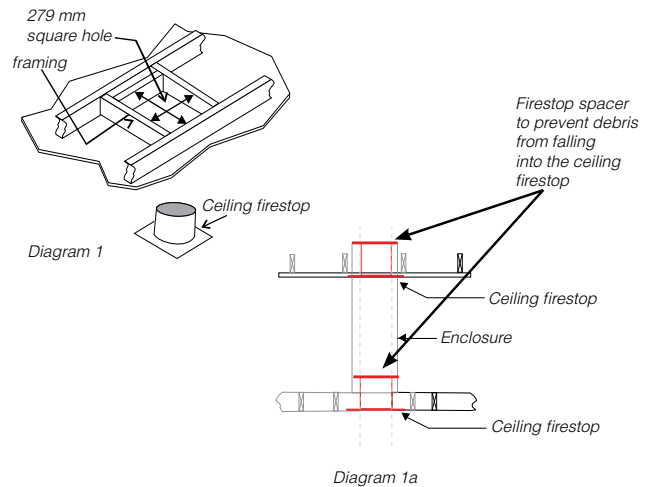
A ceiling firestop/firestop spacer must be installed when passing through each floor or ceiling level.

Steps to install the ceiling firestop/firestop spacer in a flat ceiling or floor joist:

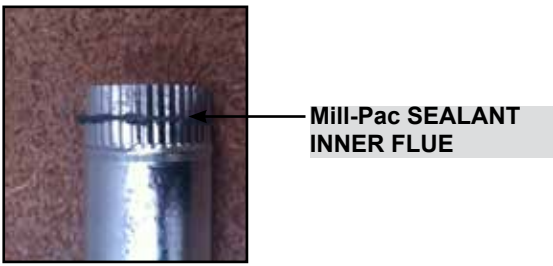
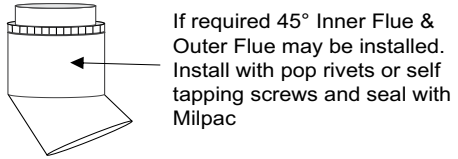
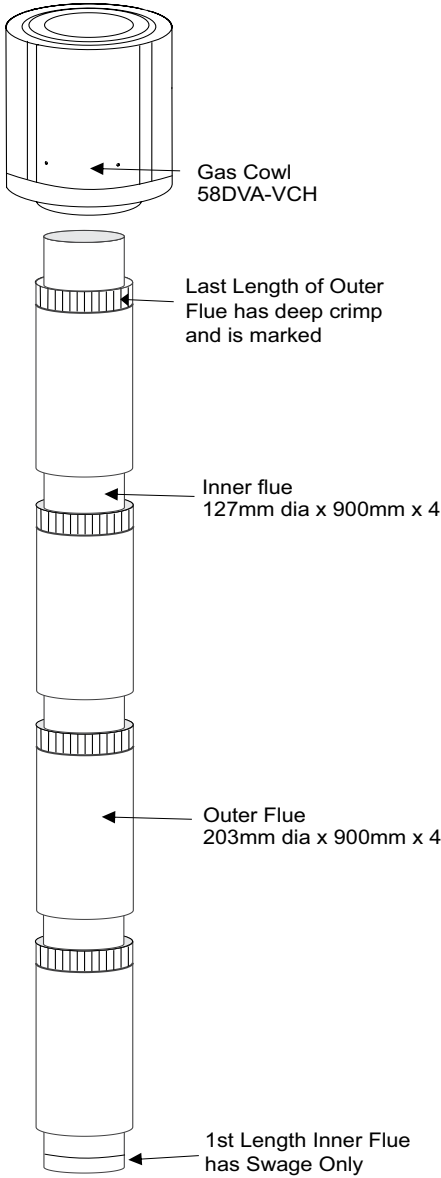
1. Cut a 279 mm square hole.
2. Frame the hole as show in Diagram 1.
3. Install the ceiling firestop.
4. Slide the top attic insulation spacer onto the top of the attic insulation shield/firestop - See Diagram 1a.
5. Secure with 4 screws/nails.

Firestops can be purchased separately if more than one is required.

**NOTE** The ceiling firestop/firestop spacer may be cut down to size if it is too high for the application.



**Direct Flue Zero Clearance Top Exit Vertical Flue Kit - Installation Instructions**



**MILL-PAC SEALANT  
INNER FLUE**

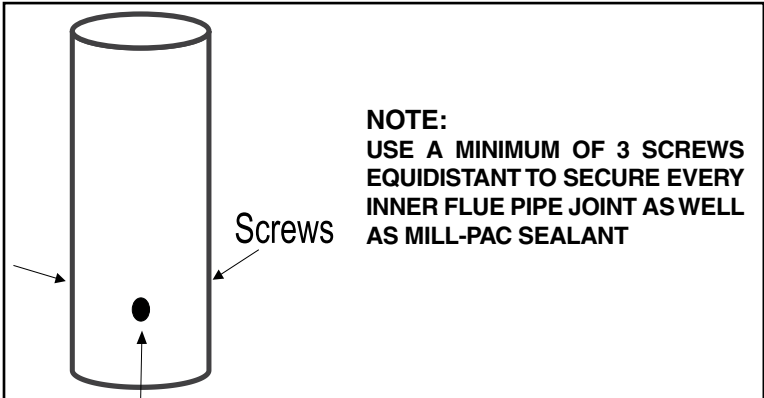
This flue kit has been manufactured for use with ACB60E and to be installed in accordance with AS/NZS 5601. To ensure safety and correct unit operation this flue kit must be installed as outlined in these instructions. Heater and flue clearances from combustible materials must be in accordance with these instructions and AS/NZS 5601.

1. Locate the heater in its proposed position and mark the point for penetration directly above the centre of the heater flue outlet. Check the heater location allows the outer flue to clear all structural timber and combustible surfaces by 40mm minimum.
2. If the enclosure consists of a ceiling – cut a 303mm square hole (minimum) for the flue to penetrate, cut hole through roofing material and prepare flashing for termination.
3. Starting at the heater, install first length of inner pipe, using Mill-Pac sealant and self-tapping screws (or rivets). Note – first length of inner pipe has a Swage only.
4. Continue assembling flue pipes inner and outer, ensuring each inner joint is sealed using Mill-Pac sealant and self-tapping screws (or rivets). Outer flue pipe installs crimped end up and must be sealed and fixed together also.
5. If required, fix outer flue in the ceiling space using non-combustible bracing to stop movement. On penetration of roof, fit an appropriate flashing or weather seal to suit the roofing material, ensure all joints outside are sealed with appropriate sealer.
6. Fit approved gas cowl ensuring inner and outer flue pipes are sealed.
7. Start heater and run for at least 15 minutes to check flue seal. If operational issues are noted, check flue again to ensure proper seal of inner pipe.

**SUPPLIED Mill-Pac SEALANT MUST BE USED OR WARRANTY WILL BE VOID – IF REQUIRED, MORE SEALANT CAN BE PURCHASED USING PART NUMBER 948-128**

45° bends (if required) part number 946-688 – Note, if bends are used at the start of flue run, a deeper crimp may be required at the unit for inner pipe fitment. Can be crimped on site and sealed with Mill-Pac sealant and self-tapping screws (or rivets).

**Note** – It is the installers responsibility to ensure the installation complies with AS/NZS 5601 and all local and building codes.



**NOTE:  
USE A MINIMUM OF 3 SCREWS  
EQUIDISTANT TO SECURE EVERY  
INNER FLUE PIPE JOINT AS WELL  
AS MILL-PAC SEALANT**

# installation

ACB60E NG SYSTEM DATA	
Min. Supply Pressure	1.13 kPa
Manifold Pressure High	0.98 kPa
Manifold Pressure Low	0.32 kPa
Maximum Input	41.1 MJ/h
Minimum Input	23.1 MJ/h
Orifice Size	#32 DMS

ACB60E PROPANE SYSTEM DATA	
Min. Supply Pressure	2.75 kPa
Manifold Pressure High	2.62 kPa
Manifold Pressure Low	0.63 kPa
Maximum Input	38 MJ/h
Minimum Input	19.4 MJ/h
Orifice Size	1.80 mm

ACB60E ULPG SYSTEM DATA	
Min. Supply Pressure	2.75 kPa
Manifold Pressure High	2.62 kPa
Manifold Pressure Low	0.63 kPa
Maximum Input	34.76 MJ/h
Minimum Input	17 MJ/h
Orifice Size	#52 DMS

## High Elevation

This unit is approved for altitude 0 to 4500 ft.

## Gas Line Installation

Since some municipalities have additional local codes it is always best to consult with your local authorities.

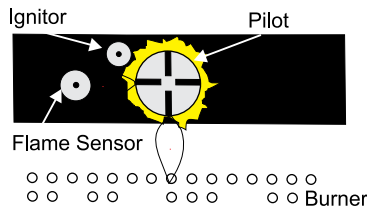
When using copper or flex connectors use only approved fittings. Always provide a union so that gas lines can be easily disconnected for servicing. Flare nuts for copper lines and flex connectors are usually considered to meet this requirement.

**NOTE: A shutoff / dante valve should be supplied in or near the unit (or as per local codes) for ease of servicing this appliance.**

**IMPORTANT: Always check for gas leaks with a soap and water solution or gas leak detector. Do not use open flame for leak testing.**

## Pilot Adjustment

Periodically check the pilot flames. Correct flame pattern has two strong blue flames: 1 flowing around the flame sensor and 1 flowing across the burner (it does not have to be touching the burner).



**Note:** If you have an incorrect flame pattern, contact your Regency® dealer for further instructions.

Incorrect flame pattern will have small, probably yellow flames, not coming into proper contact with the rear burner or flame sensor.

## Gas Pipe Pressure Testing

The appliance must be isolated from the gas supply piping system by closing its individual manual shut-off valve during any pressure testing of the gas supply piping system at test pressures equal to or less than 1/2 psig. (3.45 kPa). Disconnect piping from valve at pressures over 1/2 psig.

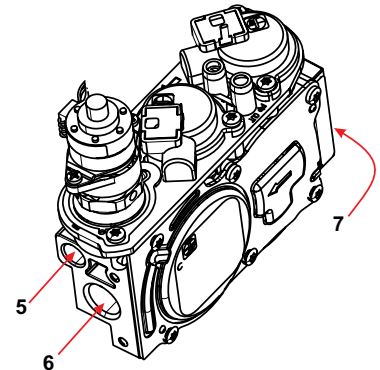
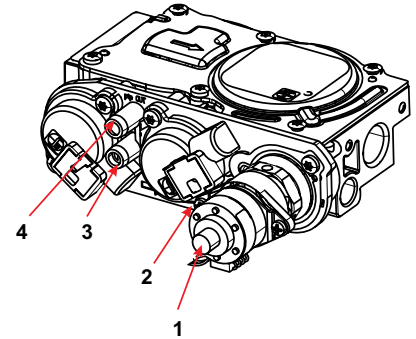
The manifold pressure is controlled by a regulator built into the gas control, and should be checked at the pressure test point.

**Note: To properly check gas pressure, both inlet and manifold pressures should be checked using the valve pressure ports on the valve.**

- 1 Make sure the unit is in the "OFF" position.
- 2 Loosen the "IN" and/or "OUT" pressure tap(s), turning counterclockwise with a 1/8" wide flat screwdriver.
- 3 Attach manometer to "IN" and/or "OUT" pressure tap(s) using a 5/16" ID hose.
- 4 Turn the unit on with the remote or wall switch
- 5 The pressure check should be carried out with the unit burning and the setting should be within the limits specified on the safety label.
- 6 When finished reading manometer, turn off the unit, disconnect the hose and tighten the screw (clockwise) with a 1/8" flat screwdriver.  
**Note: Screw should be snug, but do not over tighten.**

## 885 S.I.T. Valve Description

- 1) 6 Stage flame adjustment
- 2) Pilot adjustment
- 3) Outlet Pressure Tap
- 4) Inlet Pressure Tap
- 5) Pilot Outlet
- 6) Main Gas Outlet
- 7) Main Gas Inlet



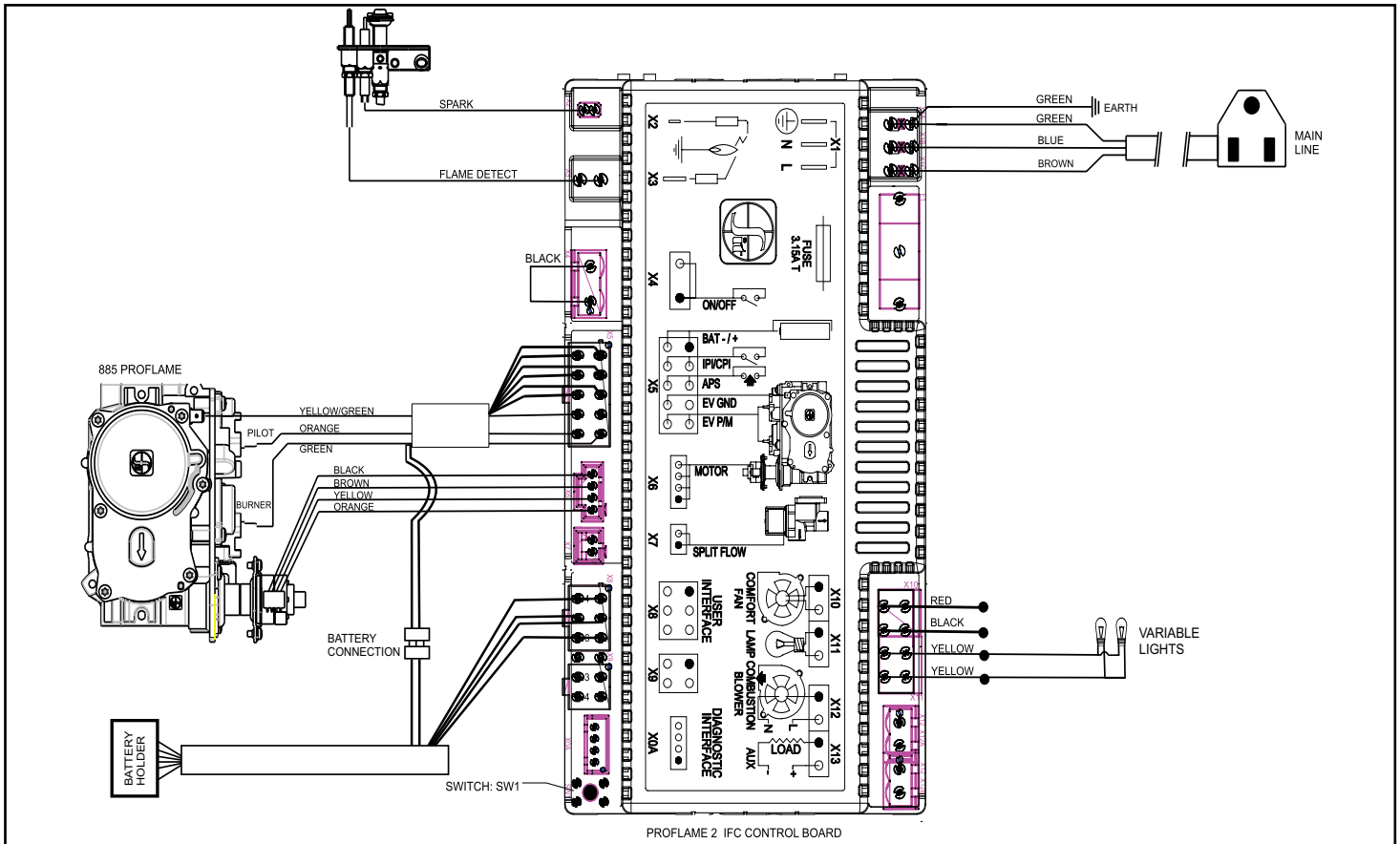
## Wiring Diagram

No electrical power supply is required for the gas control to operate. 240 Volt AC power is needed for the lights.

**(Do not cut the earth terminal off under any circumstances.)**

**Caution: Ensure that the wires do not touch any hot surfaces and are away from sharp edges.**

Electrical power must be brought to the appliance by a licensed electrician.



**CAUTION: Label all wires prior to disconnection when servicing controls. Wiring errors can cause improper and dangerous operation.**

**This appliance is equipped with a three-prong (earthing) plug for your protection against shock hazard and should be plugged directly into a properly grounded three-prong receptacle. Do not cut or remove the earthing prong from this plug.**

# installation

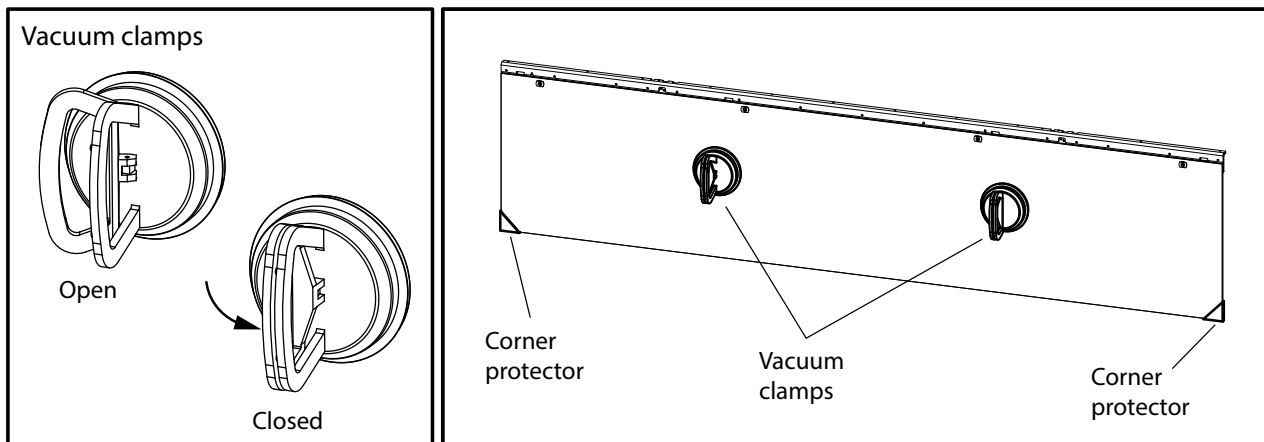
## Glass Barrier Installation

Note: Front glass barrier only shown in diagram - follow same procedure for side glass barrier removal.

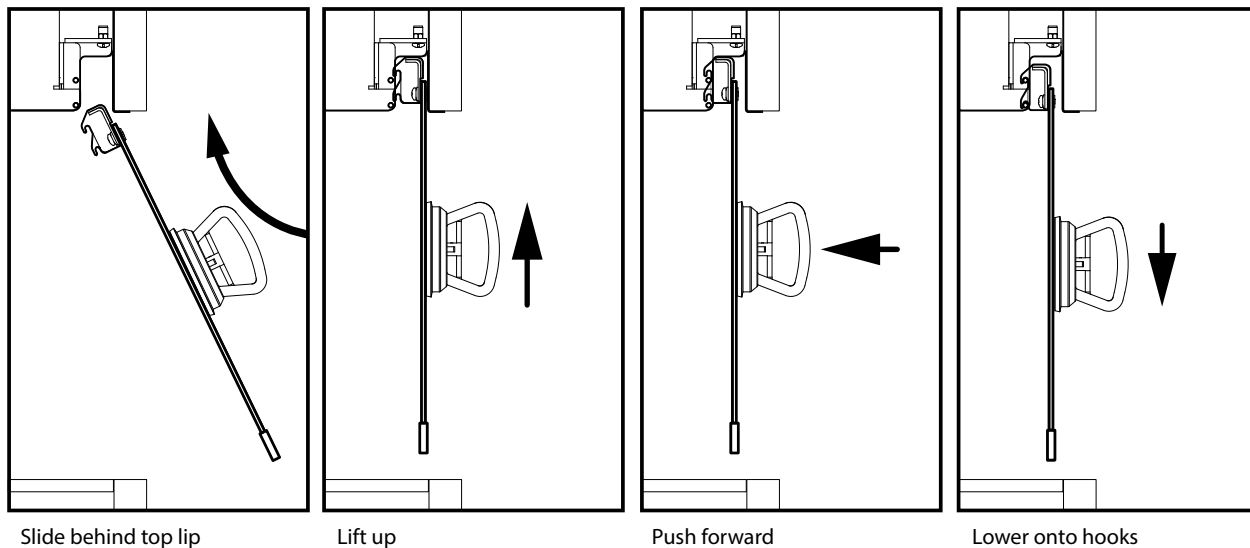
[Glass barrier removal video](#)



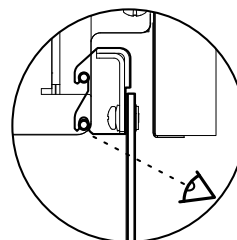
1. Ensure fireplace is operating properly and all firebox glass, and liner panels are installed prior to installing the glass safety barrier.
2. Remove the protective peel from the glass safety barrier and clean the inner surface. Identify the hooks on the glass safety barrier, these indicate the inner surface.
3. Attach the vacuum clamps to the glass as shown on the outer surface. Press the vacuum clamps against the glass, then close the clamps while maintaining pressure on the glass.
4. Slide the corner protectors onto the bottom corners of the glass.



5. Holding the glass barrier in front of the unit, slide it up behind the top lip of the unit. Lift the barrier up as far as it goes, then hook the barrier onto the unit.



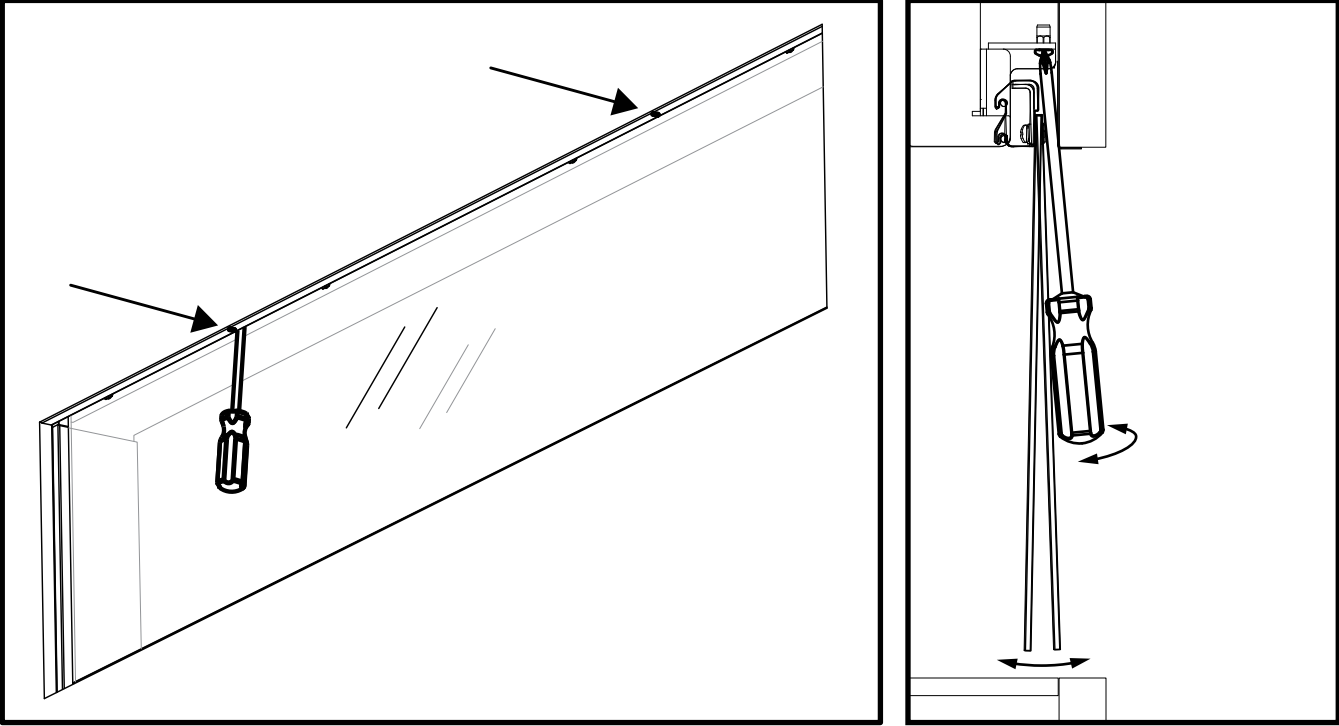
6. Visually inspect that the lower hooks are sitting over their pins and that the glass is sitting level and centered in the opening.
7. Remove vacuum clamps and corner protectors.
8. To remove glass, see owner's manual.



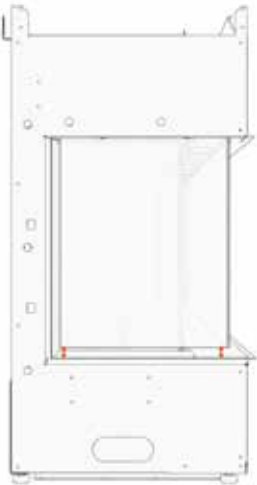


**Glass Barrier Adjustment**

If glass isn't hanging straight, use a phillips screwdriver to adjust the angle.  
Clockwise = angles barrier out toward you  
Counter clockwise = angles barrier in towards the unit.



Slide the screwdriver straight up at the two indicator slots.



If side glass height needs adjustment, follow the next step.



To adjust the side glass, remove the screws at the top of the panel and move the glass up or down. When the glass is in the correct position, replace and tighten the screws.

## Propane / ULPG Conversion Instructions

**THIS CONVERSION MUST BE DONE BY A QUALIFIED GAS FITTER  
IF IN DOUBT DO NOT DO THIS CONVERSION!**

**WARNING**

This conversion kit shall be installed by a qualified service agency in accordance with the manufacturer's instructions and all applicable codes and requirements of the authority having jurisdiction. If these instructions are not followed exactly, a fire, explosion or production of carbon monoxide may result causing property damage, personal injury or loss of life. The qualified service agency is responsible for the proper installation of this kit. The installation is not proper and complete until the operation of the converted appliance is checked as specified in the manufacturer's instructions supplied with the kit.

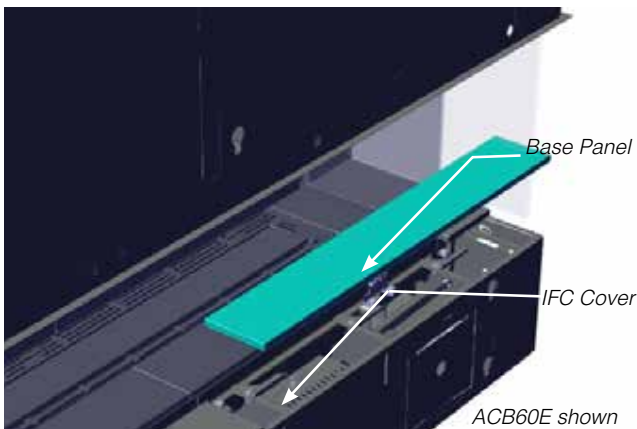
Conversion Kit new part # includes:

1	911-191	Stepper Motor LP for 885 SIT
1	905-065	Burner Orifice 1.80 mm propane
1	910-037	Pilot Orifice #30
1	918-590	Decal - Conversion to LP
1	919-728	Label Propane-Orange
1	904-529	5/32" long Allen Key
1	920-329	Instruction Sheet
1	919-727	Label Universal LPG-Red
1	918-272	Label Conversion to ULPG
1	905-064	Burner Orifice #52 ULPG

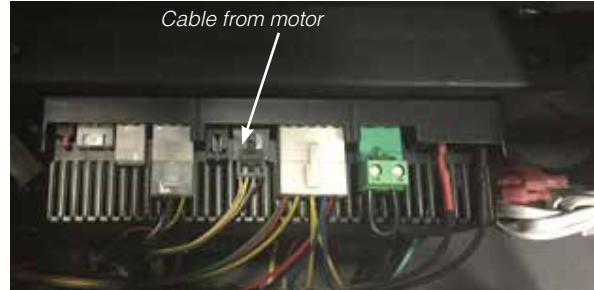
**Caution: The gas supply shall be shut off prior to disconnecting the electrical power, before proceeding with the conversion.**

**Always let the appliance cool to room temperature before servicing.**

1. Remove the outer panels and safety glass — see manual.
2. Remove inner firebox glass — see manual.
3. Remove inner panels — see manual.
4. Remove all media installed on burner (glass, logs or stones, etc).
5. Lift off the far right base panel and loosen 2 screws on IFC cover-removed cover to access IFC.

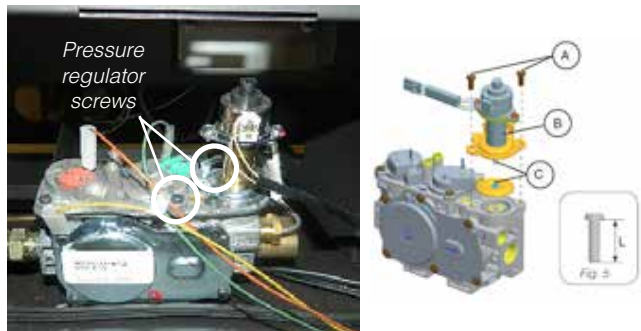


6. Disconnect the Cable coming from the Pressure Regulator Motor.



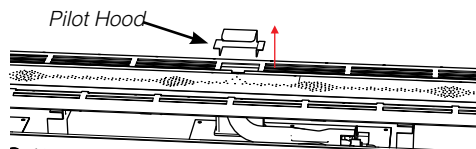
7. Remove and discard 2 Pressure regulator screws (A) using a (T20 or slot screwdriver,) Pressure Regulator (B) and Spring and Diaphragm (C) (see below).
8. Ensure the rubber gasket, which is prefitted as part of the Assembly, is properly positioned. Install the new Pressure Regulator using the 2x M4 x .7 screws supplied. Tighten the screws to 25lb-in. In the event that the screw threads are cross threaded or stripped, replace the valve assembly.

Install the enclosed propane or universal LPG identification label to the valve body where it can be easily seen.



9. Re-attach the Pressure Regulator wire (disconnected in Step 6), and re-situate the IFC, secure the screws that fasten the IFC Mounting Brackets.

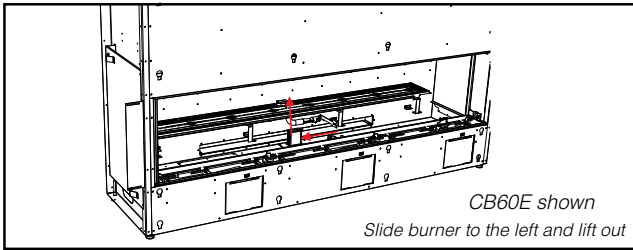
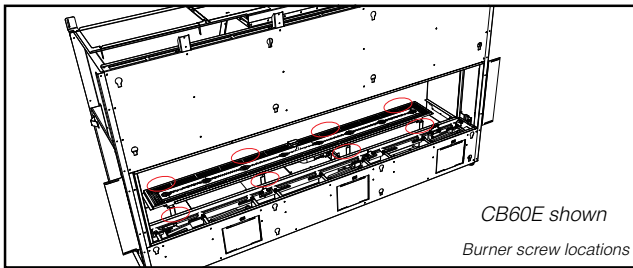
10. Remove pilot hood by lifting up and off.



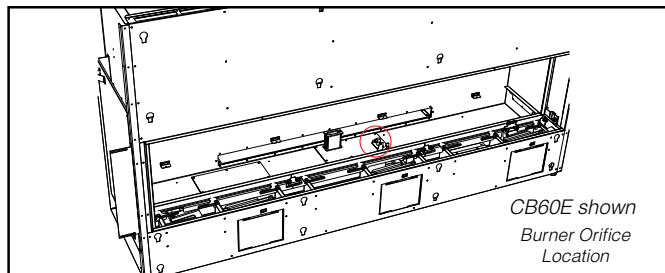
11. Remove the trim cover on right side of burner by lifting off. Also remove the burner surround by sliding to the left and lifting off.



12. Loosen 8 screws in locations shown below (4 at front and 4 at rear)—slide burner to the left away from the orifice and lift out.



13. Remove burner orifice with a 9 mm wrench. Use another wrench to hold on to the elbow behind the orifice. Discard orifice. Reinstall new burner orifice propane 1.80 mm or ULPG #52 and tighten.



14. Remove pilot retainer clip with pliers and pull off the pilot cap to expose the pilot orifice.



15. Unscrew the pilot orifice with the Allen key; then replace with the propane/ULPG pilot orifice and the pilot cap, provided in the kit.



16. Reinstall pilot cap and pilot retainer clip.
17. Prior to installing burner, adjust aerations settings to fully open for propane and ULPG. Reinstall burner (see Step 11).
18. Reverse steps 1 to 11.
19. Ensure the pilot light is in the correct orientation to the burner. Reconnect the gas and electrical supplies. Start the appliance (see section on Lighting Instructions). Ensure that pilot and burner ignition are completed without delay. Check inlet and outlet pressures at full load. With a soapy solution, leak test the entire system. Verify correct flame and pilot appearance.
20. See Gas Pipe Pressure Testing in manual.

City Series ACB60E/ACV60E PROPANE SYSTEM DATA	
Min. Supply Pressure	2.75 kPa
Manifold Pressure - High	2.62 kPa
Manifold Pressure - Low	0.63 kPa
Maximum Input	38 MJ/h
Minimum Input	19.4 MJ/h
Orifice Size	1.80 mm

City Series ACB60E/ACV60E ULPG SYSTEM DATA	
Min. Supply Pressure	2.75 kPa
Manifold Pressure - High	2.62 kPa
Manifold Pressure - Low	0.63 kPa
Maximum Input	34 MJ/h
Minimum Input	17 MJ/h
Orifice Size	#52 DMS

**Installer Notice:**  
These instructions must be left with the appliance.

#### AERATION ADJUSTMENT

The burner aeration is factory set but may need adjusting due to either the local gas supply or altitude. Open the air shutter for a blue flame or close for a yellow flame.

#### MINIMUM AIR SHUTTER OPENING:

Nature Gas: 5mm  
Propane: 9.5mm  
ULPG: Full Open

**Note:** Any damage due to carboning resulting from improperly setting the aeration controls is NOT covered under warranty.

# installation

## Optional Fan Ducting Kit Installation

### LISTINGS AND CODE APPROVALS

This Fan Kit has been approved for use with ACV40E /ACB40E/ACC40LE/ACC40RE/ACB60E/ACV60E.

**NOTE: ENERGY LABEL RATINGS DO NOT REFLECT INSTALL OF OPTIONAL FAN KIT.**

Check with your local building code agency before you begin installation to ensure compliance with local codes, including the need for permits and follow-up inspections. If any problems are encountered with code approvals, or if you need clarification on any of these instructions, contact your local dealer.

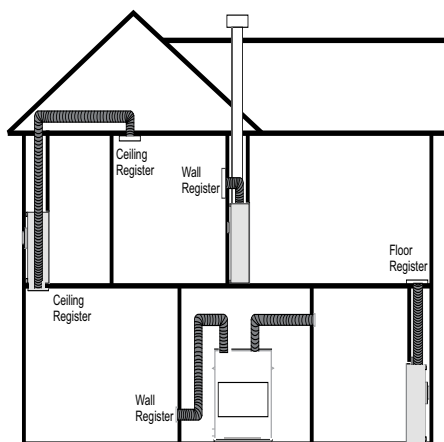


Diagram 1: Guide for possible air duct runs and locations. Keep duct length and number of bends to a minimum. Maximum duct length is 9.0 m.

The Flexible Duct (946-596) contains a maximum of 4.5 m. Please purchase another Flexible Duct (946-596) to increase to 9.0 m.

Item No.	Description	No	Description
1	240V Fan Assembly	7	Aluminum Flex 4.5m
2	Duct Flange-Fan		
3	Adapter Round to Oval	8	Duct Flange-Stove
4	Angle Bracket	9	Sidewall Grille
5	Junction Box	10	Connector Clamp
6	Wall Adapter Plate		

**NOTE: The fan kit (946-591) does not contain any ducting. The optional extension duct kit (7 in the noted table) is 4.5 metres in length (part number 946-596).**

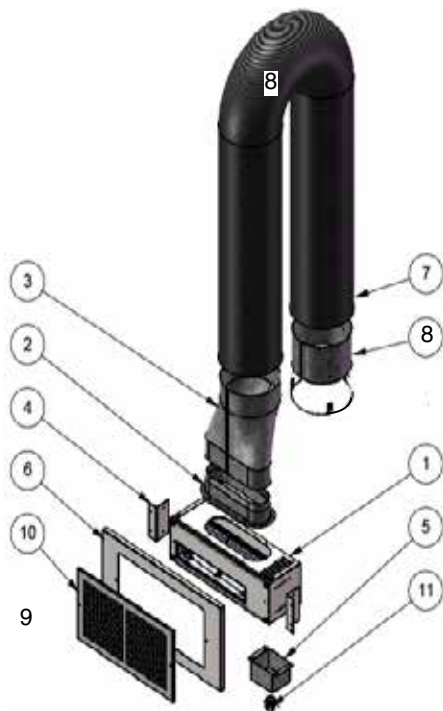
### GENERAL INFORMATION

The Fan Kit increases the effectiveness of your fireplace by dispersing warm air to remote locations in the same room or other rooms in your home.

Up to two kits may be installed on the fireplace.

#### Important Installation Notes

1. The appliance installation must conform with local codes and installation codes.
2. The appliance when installed, must be electrically grounded in accordance with local codes.
3. This kit is tested and safe when installed in accordance with this installation manual. Please read all instructions before starting installation and follow them carefully during installation.
4. Installation of this kit must be performed by a qualified service technician.
5. The Fan Kit must be installed only as specified. Any modifications of the kit or components will void the warranty and may cause a fire hazard.
6. Plan the location of the fireplace and the warm air duct runs. See diagram 1 as a guide for duct runs and locations.



Maximum Duct Run: 9.0m  
Flexible Duct Kit Contains 4.5m

If you require more than 4.5m please purchase the Fan Duct Extension Kit.

**NOTE:** Airflow through the duct system is affected by the duct length and number of bends. Keep the length and bends to a minimum to maximize performance.

### MINIMUM FRAMING CLEARANCES

\* Wall studs must be 407mm on center for mounting fan housing.

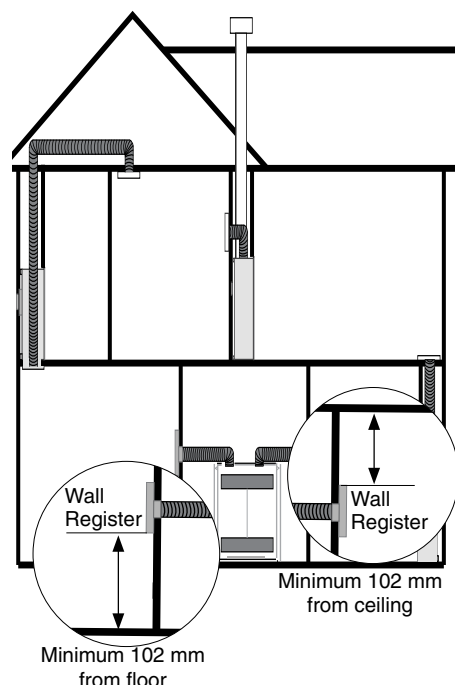
\* Fan Housing: Maintain a 6mm clearance from fan housing to combustible material.

\* Wall Registers must be 102mm above floor and / or 102mm below ceiling.

1. Determine the location of the air register/fan housing assembly. Cut a 121mm x 406 mm hole between framing members (wall studs or floor joists). Maintain a 6 mm clearance from fan housing to combustible material. See Framing Clearances section.

### MINIMUM FAN DUCT CLEARANCES

The fan ducting requires a minimum of 25mm clearance to combustibles.

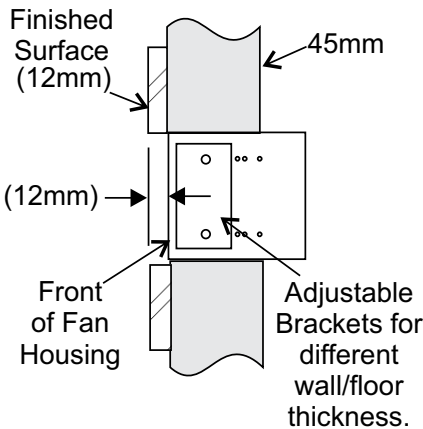
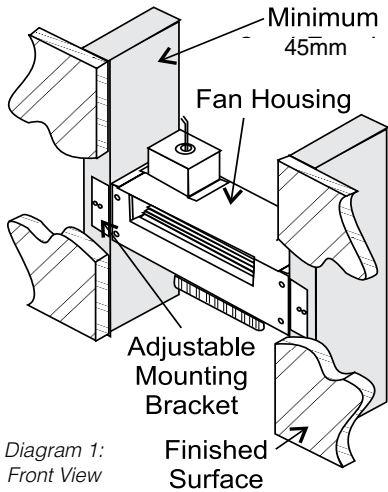


**NOTE:** Installation of Fan Kit should be done prior to installation of the wall.

2) Mount and secure the fan housing assembly to framing members, the front of the fan housing will protrude 12.7mm out of the wall so it may be finished with drywall, etc. See diagram 2

3. Install the air duct run. Secure the duct to the duct collar on the unit and the fan housing with 3 screws per end and aluminum duct tape.

**Round Air Duct:** Attach the 152.4mm round air duct



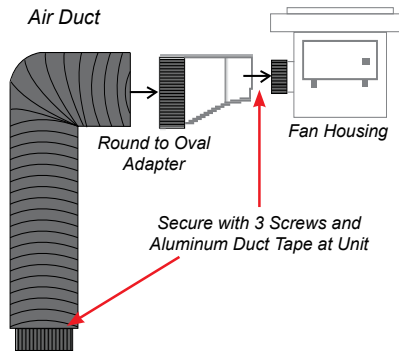
(supplied) to the fireplace collar and run the duct to the fan housing. Attach the round-to-oval adapter to the fan housing and the air duct to the adapter

4. Install the On/Off switch in a convenient location. This switch controls the fan operation.

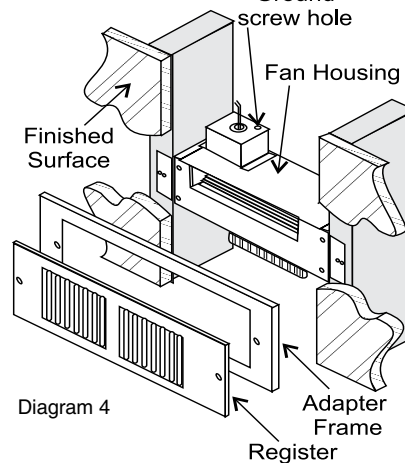
**NOTE:** Variable speed or Rotary 3 speed switch can be fitted.

5. Wire up the the fan, wall switch and power supply per local codes. See wiring diagram as reference. \*Electrician to supply wiring.

6. Screw fan junction box to the fan housing.

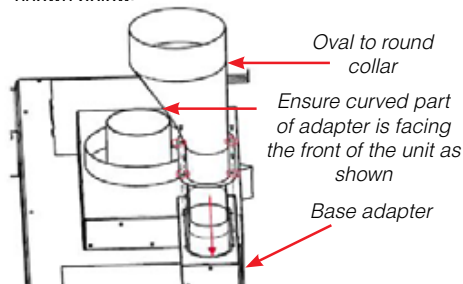


7. Screw the Register Adapter Frame and the Air Register to the Fan Housing. See diagram 4. Ground screw hole



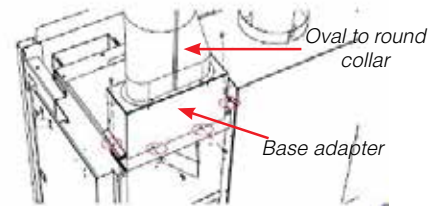
**ACB40E/ACC40LE/ACC40RE/ACV40AC only**  
Proceed with steps 8-9.

8. HeatWave Adapter Installation Kit (part #656-995) includes a base adapter, oval to round collar, and hardware. Attach oval to round collar, then to base adapter with 4 screws as shown below



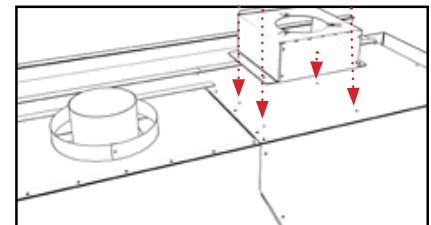
9. Attach oval to round collar/base adapter assembly (assembled in step 8) to unit in location shown below with 4 screws.

**NOTE:** Install the HeatWave adapter on the left of right side.



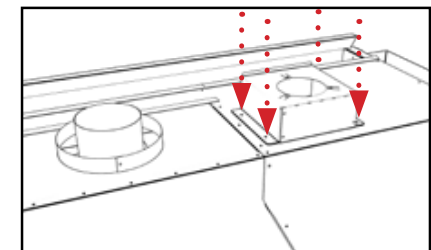
**ACB60E/ACV60E only**

10. Heatwave adapter installation kit (part # 946-766) includes a base adapter and hardware.

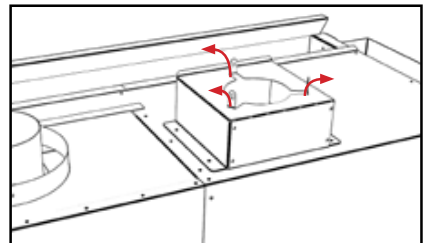


11. Align adapter 946-766 so the hole pattern on it and the top of the fireplace line up. Air intake/open end should be facing forward.

**THEN**



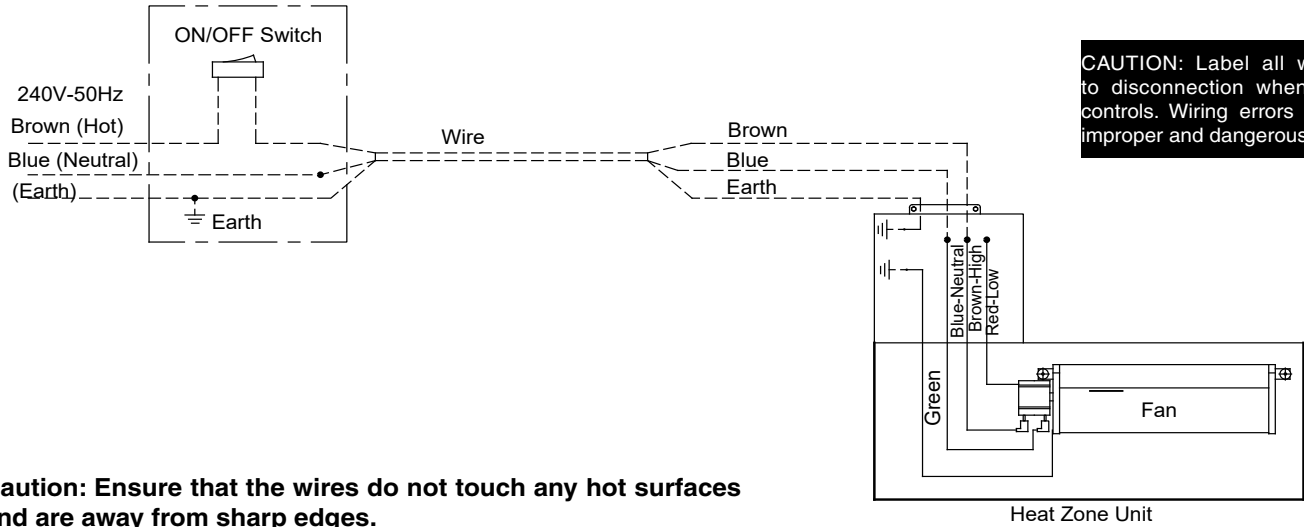
12. Screw adapter 946-766 to top of fireplace using 4 self-tapping screws included.



13. Bend pipe attachment tabs up with a pair of pliers.

# installation

## WIRING DIAGRAM



**CAUTION:** Label all wires prior to disconnection when servicing controls. Wiring errors can cause improper and dangerous operation.

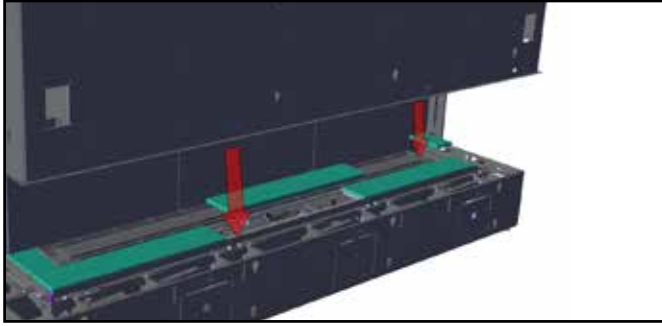
**Caution:** Ensure that the wires do not touch any hot surfaces and are away from sharp edges.

Alternate Switches: May use the following. Check with local authorities and electrician.  
CLIPSAL 203 2E45 OUD - Dimmer  
CLIPSAL 2031 VF3CSF - 3 Speed

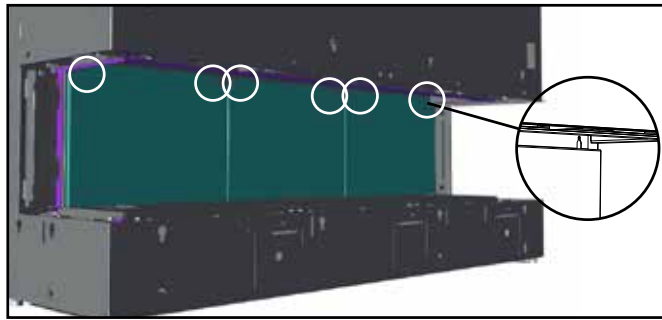
## Inner Black Panel Installation

ACB60E - 7 outer panels and 8 inner panels.

Turn off gas and power to unit and allow to cool to room temperature. Remove the safety glass and firebox glass — see manual for instructions.



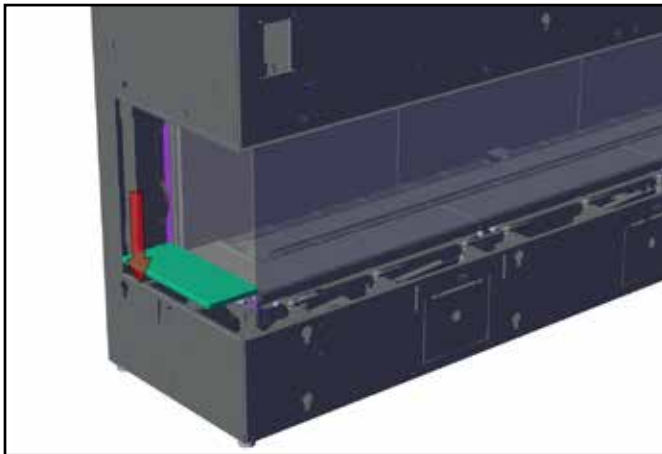
2. On back of firebox wall--install 6 screws (loosely) in locations shown below. Install 3 back panels--hang panels on installed screws through keyhole opening.



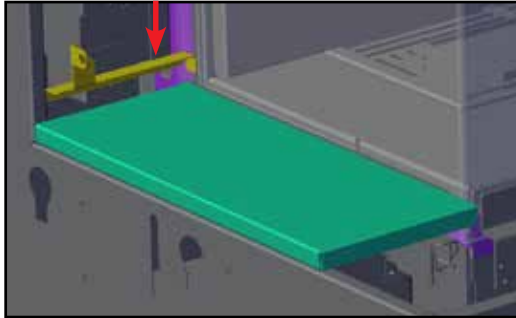
3. Reinstall firebox glass - see instructions in manual.

## ACB60E OUTER PANELS

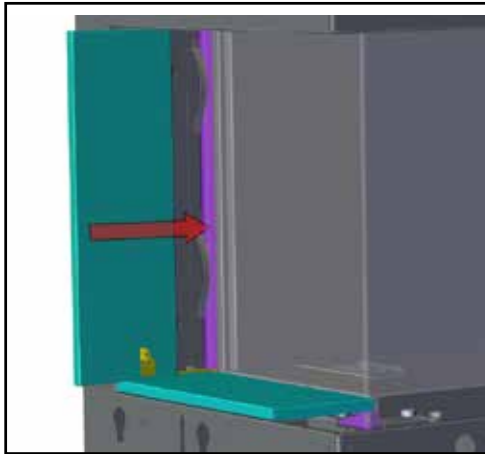
1. Install outer side panel as shown below.



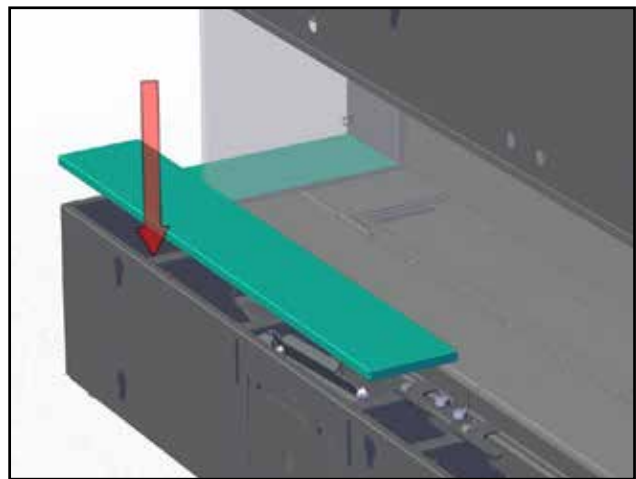
2. Install glass stopper (if desired) by sliding down the outside of the outer side panel.



3. Slide backwall outer panel behind glass stopper bracket (if installed).

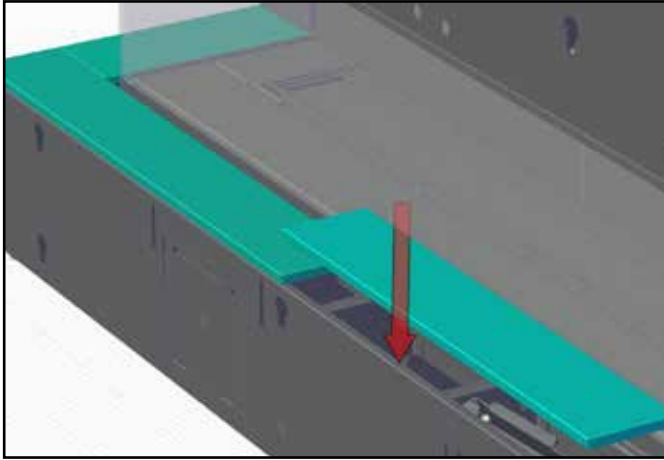


4. Install front end panel-place on unit as shown below.

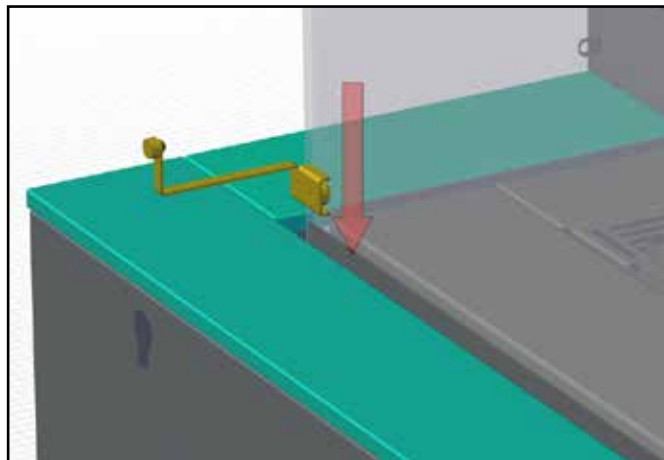


# installation

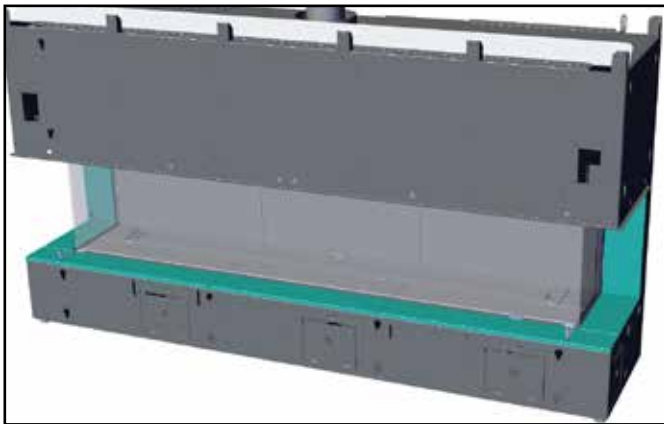
5. Install middle outer panel.



6. Install glass stopper (if desired) by sliding stopper assembly between unit and panel - the stopper assembly will attach to the unit via a magnet. Adjust position of glass stopper as required.



7. Repeat steps 1-6 to install outer panels on opposite side.



8. With panel set installed -- complete by installing barrier glass.

9. Reverse all steps to remove panels.



## Inner Enamel Panel Installation

### Black Enamel Panels — Handling Instructions

- Black Enamel panels must be inspected for scratches and dimples prior to installation. All claims to be recorded at this time. Claims for damage after installation will not receive consideration.

- Black Enamel panels will discolor a little during normal operation. This is normal and should not be considered a defect.

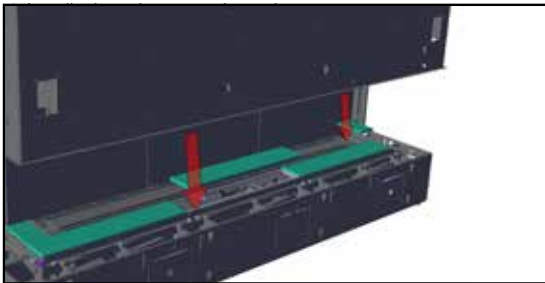
★ All hand and finger marks **MUST** be cleaned off with a soft cloth. Use an ammonia based cleaner (ie. glass cleaner) to remove any fingerprints before applying heat to the unit.

**Failure to do this will result in burn stain on panels which you will be unable to remove.**

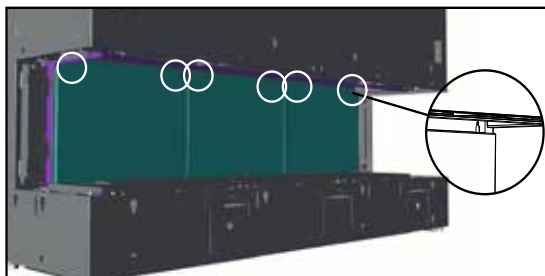
\*Not protected by product warranty.

ACB60E - 7 outer panels and 8 inner panels.

Turn off gas and power to unit and allow to cool to room temperature. Remove the safety glass and firebox glass — see manual for instructions.

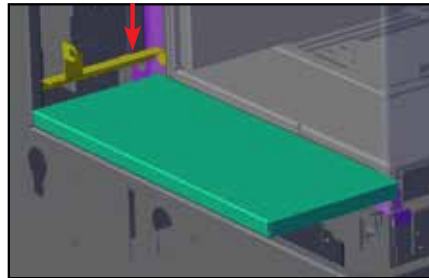


2. On back of firebox wall--install 6 screws (loosely) in locations shown below. Install 3 back panels--hang panels on installed screws through keyhole opening.

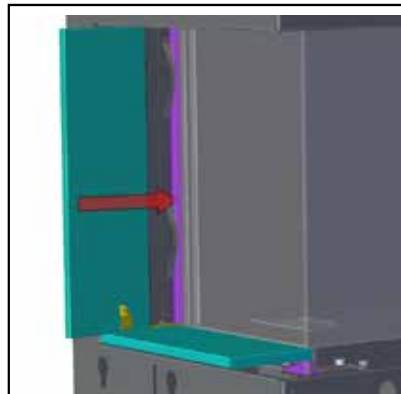


3. Reinstall firebox glass - see instructions in manual.

2. Install glass stopper (if desired) by sliding down the outside of the outer side panel.



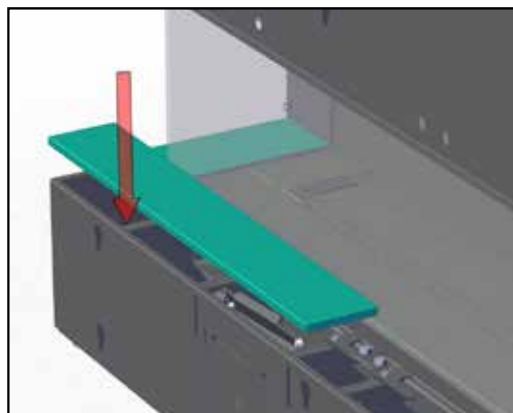
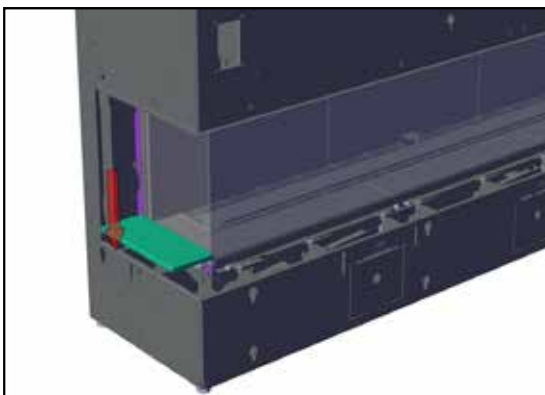
3. Slide backwall outer panel behind glass stopper bracket (if installed).



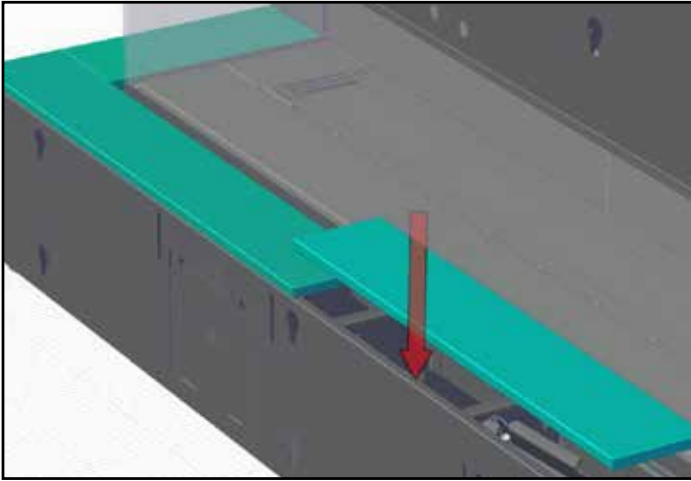
4. Install front end panel--place on unit as shown below.

### ACB60E OUTER PANELS

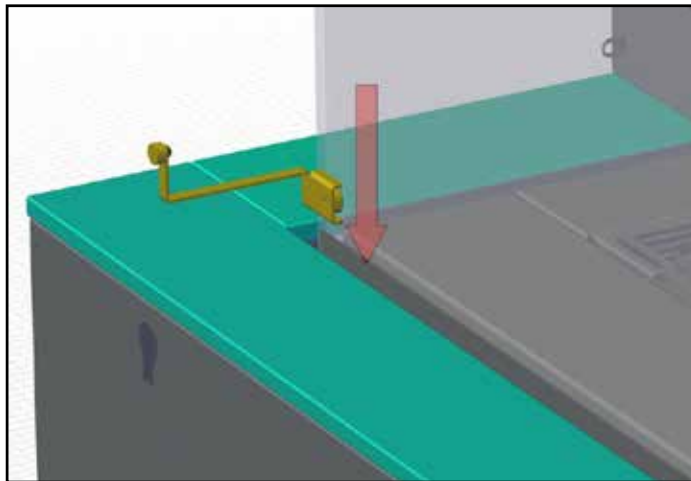
1. Install outer side panel as shown below.



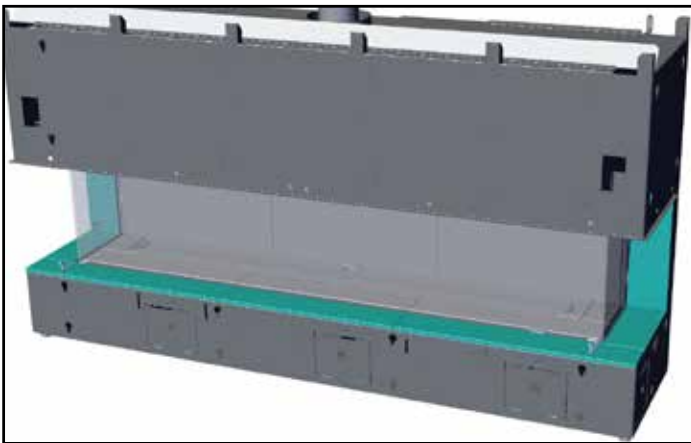
# installation



6. Install glass stopper (if desired) by sliding stopper assembly between unit and panel - the stopper assembly will attach to the unit via a magnet. Adjust position of glass stopper as required.



7. Repeat steps 1-6 to install outer panels on opposite side.



8. With panel set installed -- complete by installing barrier glass.

9. Reverse all steps to remove panels.

### Burner and Firebox Media Options

Spread the media evenly over the burner. Ensure the glass/stones do not overlap excessively as this will affect the flame pattern.

**IMPORTANT NOTE:**

Only the supplied approved media are to be used with these fireplaces. Use of any other type of glass or stones can alter the unit's performance. Any damage caused by the use of any unapproved glass or stones will not be covered under warranty.

When using Ceramic Spa/Volcanic Stones ensure required glass crystals/beads are used as a base. **DO NOT** overstack Ceramic Spa Stones or Volcanic Stones on burner or in the pilot area. Media must be installed on and around burner only in amounts noted below.

NOTE: Regardless of option chosen, fireglass must be installed on burner in all cases.

ACB60E Approved Media*	Where Used	Quantity
Fireglass (starfire, copper or black)	On burner	0.9 kg.
Glowing embers/sea wool (supplied with unit)	On burner	1 bag
Crushed Glass Coal Black 29 mm	Around burner	2 boxes (3.2 kg.)
Stones-Ivory/Tan Basalt Natural	Around burner	1 Box (6.8 kg)
*Stone-River pebbles must be installed around the burner only.		
* Media <b>not supplied</b> with unit - must be purchased separately.		



*Fireglass + Crushed Glass*



*Fireglass + Stone-Ivory/Tan Basalt Natural*

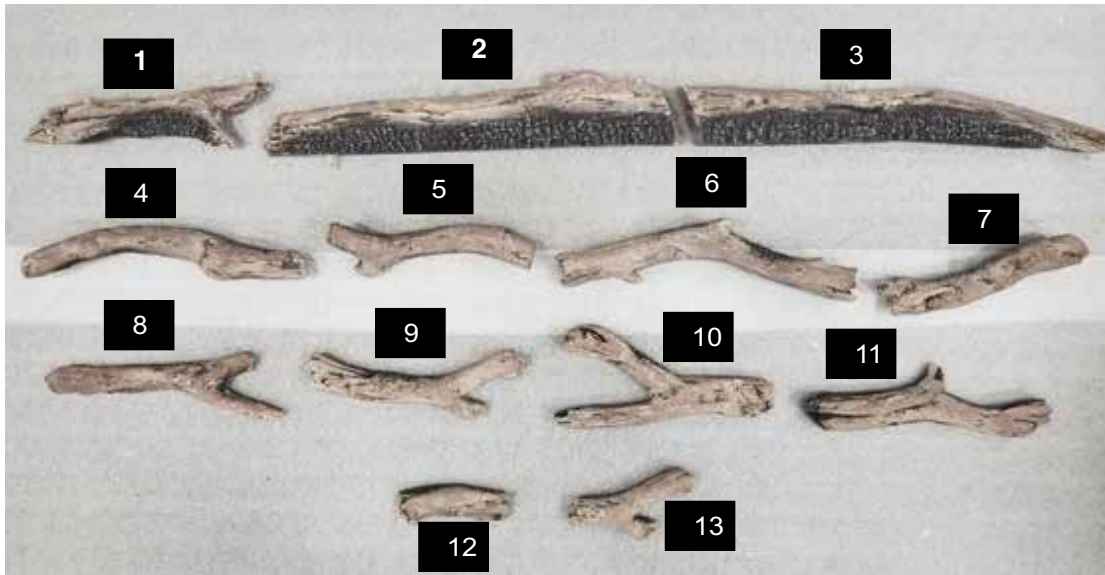
# installation

## Optional Driftwood Log Set Installation

Read the instructions below carefully and refer to the images. If the logs are broken do not use the unit until they are replaced. Broken logs can interfere with pilot operation.

Improper positioning of the logs may create carbon build-up and alter the unit's performance, which is not covered under warranty.

\*Dark brown paint is included if touch ups are required.



1	Rear Left Log
2	Rear Center Log
3	Rear Right Log
4	Left Front Log
5	Front Log (left of center)
6	Front Centre Log Piece
7	Front Right Log (right of center)
8	Left Cross Log (2nd left from center)
9	Left Cross Log (left of center)
10	Right Cross Log (right of center)
11	Right Cross Log (2nd right from center)
12	Left Cross Log (far left log)
13	Right end log
	Log Guides (3)
	0.9 kg Black Fireglass (purchased separately from log set)
	Glowing Wool (supplied with unit)
	19 mm Crushed black glass (purchased separately from log set)

1. Shut off gas and electrical supply, allow unit to cool to room temperature.
2. Remove barrier glass (if already installed) and firebox glass (see manual).
3. Carefully remove the logs from the packaging and unwrap them. The logs are fragile, handle with care—never force into position.
4. Install Black Fireglass (0.9 kg) and glowing wool on the burner as shown below.



*Burner covered with Fireglass and glowing wool*

5. Insert the log guides (3 pieces) into the slots at the back of the burner.



6. Place Log 2 on top of the log guide. The pin under Log 2 and the log guide will act as a guide for Log 2's proper positioning.



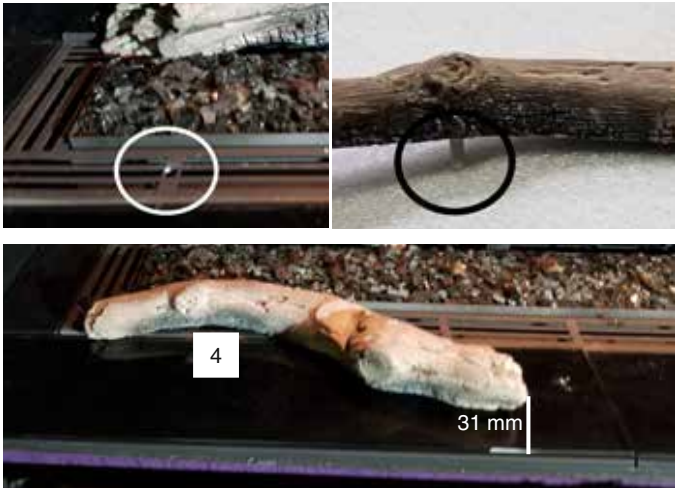
7. Install Log 1 to the left of Log 2. Make sure they are connected.



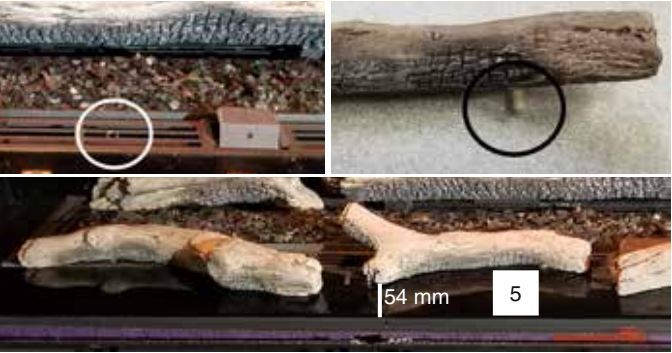
8. Install Log 3 to the right of Log 1. Rest the left side on the log guide. Connect Log 1 and Log 3 to make the split between less visible.



9. Insert the pin of Log 4 into the hole. The left end of Log 4 should sit 31 mm from the edge of the panel, as shown below.



10. Insert the pin of Log 5 into the hole on the left side of the pilot. Position the left end of Log 5 54 mm from the edge of the panel.



11. Insert the pin of Log 6 into the hole on the right side of the pilot. Position the right end of Log 6 51 mm from the edge of the panel.



12. Insert the pin of Log 7 into the hole on the right-most side. Position the left end of the log 29 mm from edge of panel, as shown below.



13. Install one box (1.6 kg) of 19 mm black coal (optional) around the logs installed on the panels, as shown below.



Correct Black Coal placement

# installation

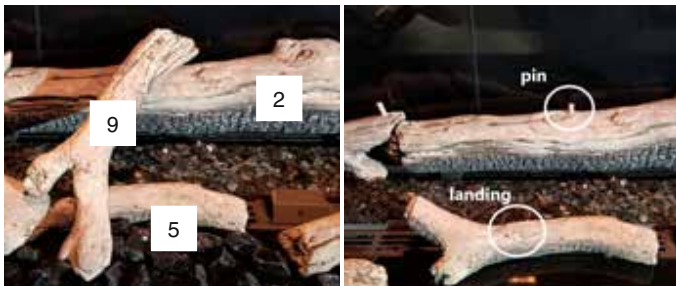
14. To install Log 8, line up the pin locator on Log 8 with the pin on Log 2 and rest the other end of Log 8 on the landing on Log 4, as shown below.



17. To install Log 11, line up the pin locator on Log 11 with the pin on Log 3 and rest the other end of Log 11 on Log 7, as shown below.



15. To install Log 9, line up the pin locator on Log 9 with the pin on Log 1 and place the other end on the landing on Log 5, as shown below.



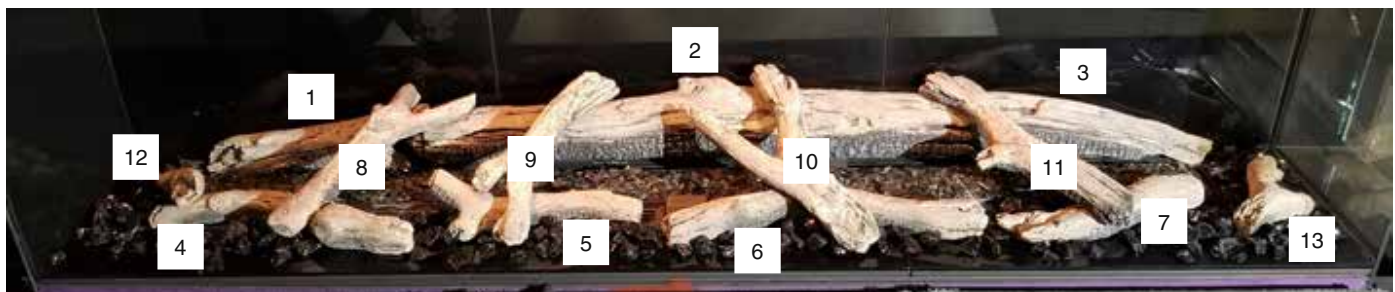
18. Install Log 12 with one end resting on the far left side of the burner and the other on the left end of Log 4, as shown below.



16. To install Log 10, rest the middle part of the 'Y' of Log 10 on the landing in Log 6. Rest the opposite end of Log 10 on Log 2, as shown below.



19. Install Log 13 by placing it on the glass at the far right end of the burner, as shown below.



*Final Install*

**Optional Split Wood Log Set Installation**

Read the instructions below carefully and refer to the images. If the logs are broken do not use the unit until they are replaced. Broken logs can interfere with pilot operation.

Improper positioning of the logs may create carbon build-up and alter the unit's performance, which is not covered under warranty.

\*Paint is included if touch ups are required.



1	Rear Center Log
2	Rear Left Log
3	Rear Right Log
4	Left Front Log
5	Front Log (left of center)
6	Front Centre Log Piece
7	Front Right Log (right of center)
8	Left Cross Log (2nd left from center)
9	Left Cross Log (left of center)
10	Right Cross Log (right of center)
11	Right Cross Log (2nd right from center)
12	Left Cross Log (far left log)
13	Right end log
	Log Guides (3)
	0.9 kg Black Fireglass (purchased separately from log set)
	Glowing Wool (supplied with unit)
	19 mm Crushed black glass (purchased separately from log set)

1. Shut off gas and electrical supply, allow unit to cool to room temperature.
2. Remove barrier glass (if already installed) and firebox glass (see manual).
3. Carefully remove the logs from the packaging and unwrap them. The logs are fragile, handle with care—never force into position.
4. Install black fireglass (0.9 kg) and glowing wool on the burner as shown below.



5. Insert the log guides (3 pieces) into the slots at the back of the burner.



# installation

6. Place Log 1 on top of the log guide. The log guide will act as a guide for the proper positioning of Log 1.



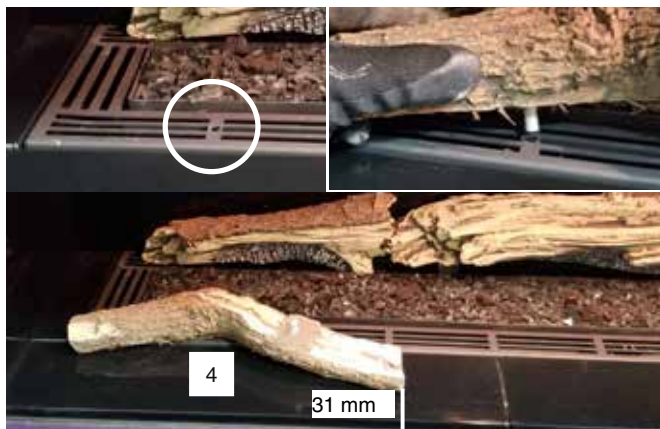
7. Install Log 2 to the left of Log 1. Make sure they are connected.



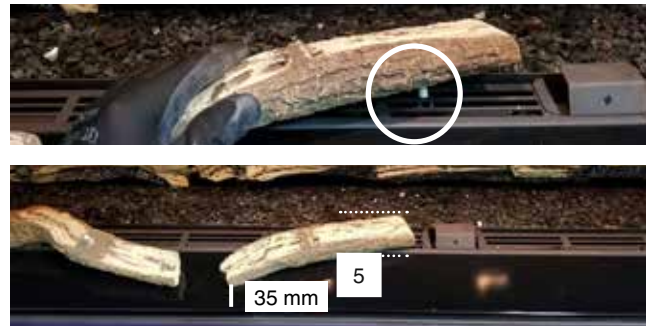
8. Install Log 3 to the right of Log 1. Rest the left side of Log 3 on the log guide. Connect Log 1 and Log 3 to make the split between less visible.



9. Insert the pin of Log 4 into the hole on the left-most side of the burner. The right end of Log 4 should sit 31 mm from the edge of the panel, as shown below.



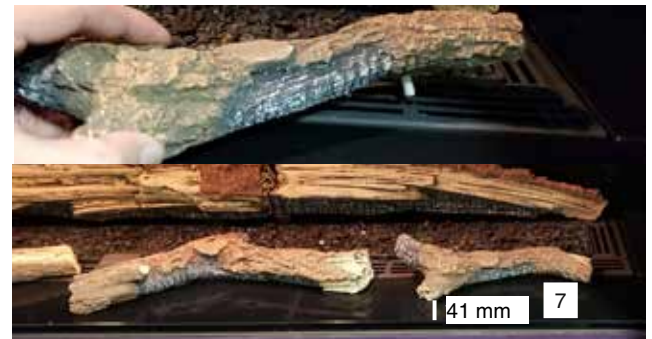
10. Insert the pin of Log 5 into the hole on the left side of the pilot. Position the left end of Log 5 35 mm from the edge of the panel.



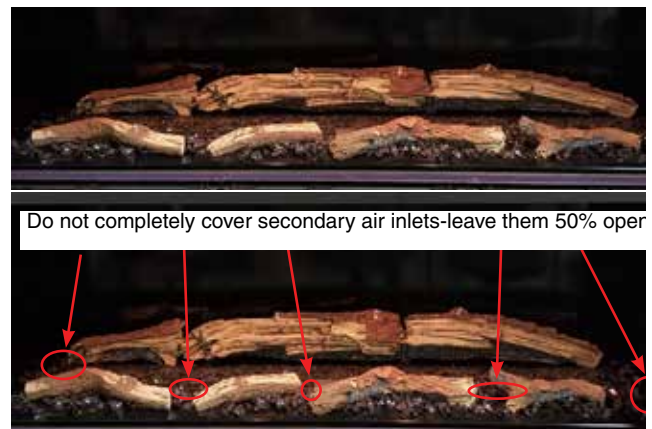
11. Insert the pin of Log 6 into the hole on the right side of the pilot. Position the left end of Log 6 3/4" from the edge of the panel.



12. Insert the pin of Log 7 into the hole on the right-most side of the burner. Position the left end of Log 7 41 mm from edge of panel, as shown below.



13. Install one box (1.6 kg) of 19 mm black coal (optional) around the logs installed on the panels, as shown below.



Correct Black Coal placement



14. To install Log 8, line up the pin locator on Log 8 with the pin on Log 4 and rest the other end of Log 8 on the landing on Log 2, as shown below.



17. To install Log 11, line up the pin locator on Log 11 with the pin on Log 3 and rest the other end of Log 11 on Log 7, as shown below.



15. To install Log 9, line up the pin locator on Log 9 with the pin on the left side of Log 1, and rest the 'Y' of Log 9 over Log 5.



18. Install Log 12 with one end resting on the far left side of the burner and the other on the right end of Log 4, as shown below.



16. To install Log 10, line up the pin locator on Log 10 with the pin on the right side of Log 1 and rest the other end of Log 10 on Log 6, as shown below.



19. Install Log 13 by placing it on the glass at the far right end of the burner, as shown below.



*Final Install*

# installation

## Optional Birch Wood Log Set Installation

Read the instructions below carefully and refer to the images. If the logs are broken do not use the unit until they are replaced. Broken logs can interfere with pilot operation.

Improper positioning of the logs may create carbon build-up and alter the unit's performance, which is not covered under warranty.

\*Paint is included if touch ups are required.



1	Rear Center Log
2	Rear Left Log
3	Rear Right Log
4	Left Front Log
5	Front Log (left of center)
6	Front Centre Log Piece
7	Front Right Log (right of center)
8	Left Cross Log (2nd left from center)
9	Left Cross Log (left of center)
10	Right Cross Log (right of center)
11	Right Cross Log (2nd right from center)
12	Left Cross Log (far left log)
13	Right end log
	Log Guides (3)
	2 lb Black Fireglass (purchased separately from log set)
	Glowing Wool (supplied with unit)
	19 mm Crushed black glass (purchased separately from log set)

1. Shut off gas and electrical supply, allow unit to cool to room temperature.
2. Remove barrier glass (if already installed) and firebox glass (see manual).
3. Carefully remove the logs from the packaging and unwrap them. The logs are fragile, handle with care—never force into position.
4. Install black fireglass (0.9 kg) and glowing wool on the burner as shown below.



*Burner covered with Fireglass and glowing wool*

5. Insert the log guides (3 pieces) into the slots at the back of the burner.



# installation

6. Place Log 1 on top of the log guide. The log guide will act as a guide for the proper positioning of Log 1.



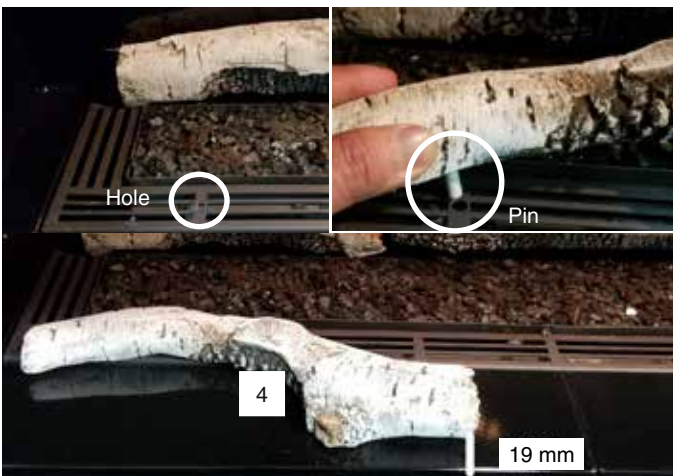
7. Install Log 2 to the left of Log 1. Make sure they are connected.



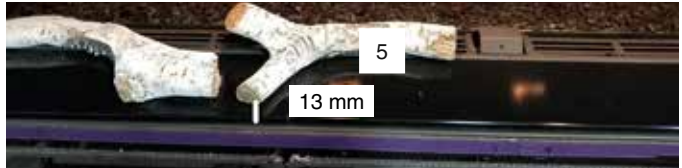
8. Install Log 3 to the right of Log 1. Rest the left side of Log 3 on the log guide. Connect Log 1 and Log 3 to make the split between less visible.



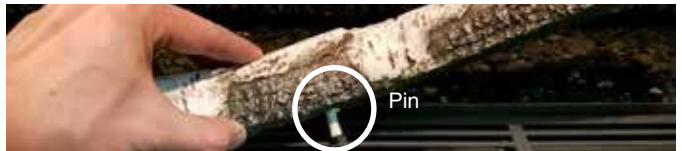
9. Insert the pin of Log 4 into the hole on the left-most side of the burner. The right end of Log 4 should sit 19 mm from the edge of the panel, as shown below.



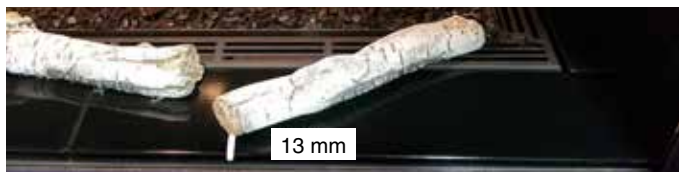
10. Insert the pin of Log 5 into the hole on the left side of the pilot. Position the left end of Log 5 13 mm from the edge of the panel.



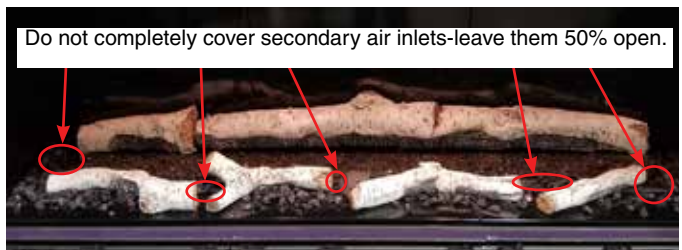
11. Insert the pin of Log 6 into the hole on the right side of the pilot. Position the left end of Log 6 22 mm from the edge of the panel.



12. Insert the pin of Log 7 into the hole on the right-most side of the burner. Position the left end of Log 7 13 mm from edge of panel, as shown below.



13. Install one box (1.6 kg) of 19 mm black coal (optional) around the logs installed on the panels, as shown below.



Correct Black Coal placement

# installation

14. To install Log 8, line up the pin locator on Log 8 with the pin on the left-most side of Log 1. Rest the other end of Log 8 on the landing on Log 4, as shown below.



17. To install Log 11, line up the pin locator on Log 11 with the pin on Log 3 and rest the other end of Log 11 on Log 7, as shown below.



15. To install Log 9, line up the pin locator on Log 9 with the pin in the middle of Log 1 and rest the other end of Log 9 on Log 5.



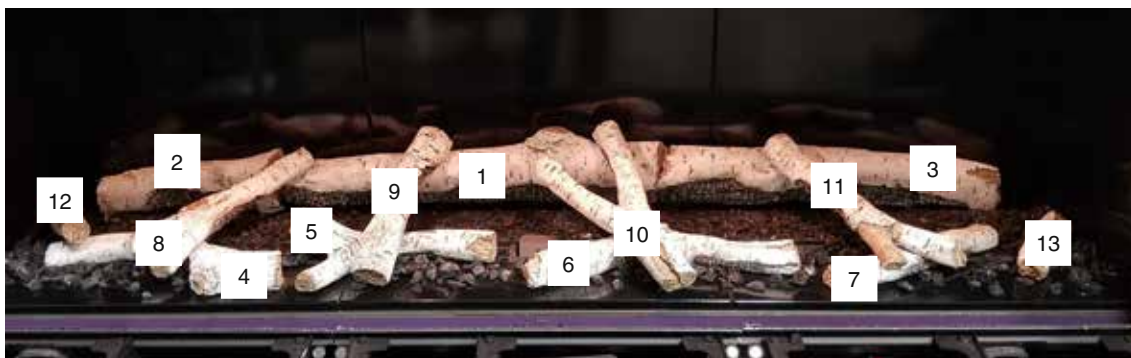
18. Install Log 12 with one end resting on the far left side of the burner and the other on the left end of Log 4, as shown below.



16. To install Log 10, line up the pin locator on Log 10 with the pin on the right side of Log 1. Rest the other end of Log 10 on Log 6, as shown below.



19. Install Log 13 by placing it on the glass at the far right end of the burner, as shown below.



*Final Install*

## Maintenance Instructions

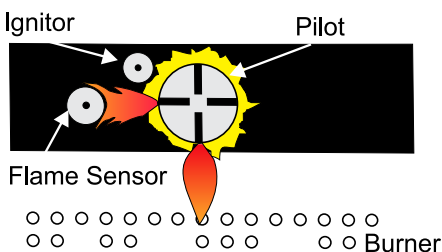
1. Always turn off the gas valve before cleaning. For relighting, refer to lighting instructions. Keep the burner and control compartment clean by brushing and vacuuming at least once a year. When cleaning the logs, use a soft clean paint brush as the logs are fragile and easily damaged.
2. Clean appliance and door with a damp cloth (never when unit is hot). Never use an abrasive cleaner. The glass should be cleaned with a gas fireplace glass cleaner. **The glass should be cleaned when it starts looking cloudy.**
3. The fireplace is finished in a heat resistant paint and should only be refinished with heat resistant paint. Regency® uses StoveBright Paint - Metallic Black #6309.
4. Make a periodic check of burner for proper position and condition. Visually check the flame of the burner periodically, making sure the flames are steady; not lifting or floating. If there is a problem, call a qualified service person.
5. The appliance and venting system must be inspected before use, and at least annually, by a qualified field service person, to ensure that the flow of combustion and ventilation air is not obstructed.

**Note: Never operate the appliance without the glass properly secured in place.**

6. Do not use this appliance if any part has been under water. Immediately call a qualified service technician to inspect the appliance and to replace any part of the control system and any gas control which has been under water.
7. In the event this appliance has been serviced check that the vent-air system has been properly resealed & reinstalled in accordance with the manufacturer's instructions.
8. Verify operation after servicing.

## Flame Pattern

Periodically check the pilot and main burner flames. **Correct pilot flame pattern has two strong blue flames: 1 flowing around the flame sensor and 1 flowing across the burner (it does not have to be touching the burner).**



**Note: If you have an incorrect flame pattern, contact your Regency® dealer for further instructions.**

**Incorrect flame pattern will have small, probably yellow flames, not coming into proper contact with the rear burner or flame sensor.**



Correct main burner flame pattern

## General Vent Maintenance

Conduct an inspection of the venting system semi-annually. Recommended areas to inspect as follows:

1. Check the Venting System for corrosion in areas that are exposed to the elements. These will appear as rust spots or streaks, and in extreme cases, holes. These components should be replaced immediately.
2. Remove the Cap, and shine a flashlight down the Vent. Remove any bird nests, or other foreign material.
3. Check for evidences of excessive condensation, such as water droplets forming in the inner liner, and subsequently dripping out the joints, Continuous condensation can cause corrosion of caps, pipe, and fittings. It may be caused by having excessive lateral runs, too many elbows, and exterior portions of the system being exposed to cold weather.
4. Inspect joints, to verify that no pipe sections or fittings have been disturbed, and consequently loosened. Also check mechanical supports such as Wall Straps, or plumbers' tape for rigidity.

## Log Replacement

The unit should never be used with broken logs. Turn off the gas valve and allow the unit to cool before opening door and carefully remove the logs. (The pilot light generates enough heat to burn someone.) If for any reason a log should need replacement, you must use the proper replacement log. The position of these logs must be as shown in the diagrams under Log Installation.

**Note: Improper positioning of logs may create carbon build-up and will severely alter the unit's performance which is not covered under warranty.**

## Glass Gasket

If the glass seal on the appliance requires replacement, a graphite seal specifically designed for the appliance is required. Part # is 686-556/P for the complete set. These are applied with self adhesive tape.

There is also gasket installed on the sides of the inner glass to protect against breakage when installing the glass. Gasket part number is 936-222. This is sold per foot; 0.9 m total is required to complete both sides.

## Glass

Your Regency® fireplace is supplied with high temperature 5mm-Tempered outer glass & 5mm-Ceramic inner glass. If your glass requires cleaning, we recommend using an approved glass cleaner available at all authorized dealers. Do not use abrasive materials.

### CAUTION & WARNINGS:

- \* Do not clean when the glass is hot.
- \* The use of substitute glass will void all product warranties.
- \* Care must be taken to avoid breakage of the glass.
- \* Do not strike or abuse the glass.
- \* Do not operate this fireplace without the glass front or with a cracked or broken glass front.
- \* Wear gloves and safety glasses when removing damaged or broken glass.
- \* Replacement of the glass panels should be done by a licensed or qualified service person.

## Glass Replacement

In the event that you break your glass by impact, purchase your replacement from an authorized Regency dealer only. Replacement glass is shipped already installed into the door frame. Reinstall as per Glass Installation in the "Glass Installation" section.

### REPLACEMENT GLASS:

#### ACB60E

- Outer Safety Glass Front - Tempered (Part# 940-511/P)
- Outer Safety Glass Right Side- Tempered (Part# 940-509/P)
- Outer Safety Glass Left Side- Tempered (Part# 940-510/P)

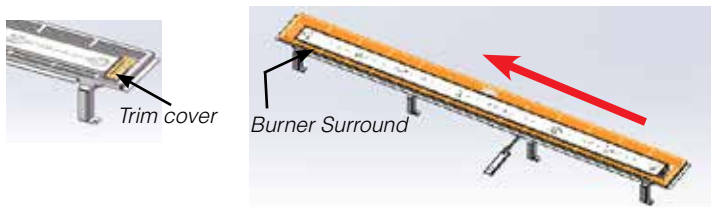
- Inner Glass Front - Ceramic (Part# 940-507/P)
- Inner Glass Side - Ceramic (Part# 940-508/P)

# maintenance

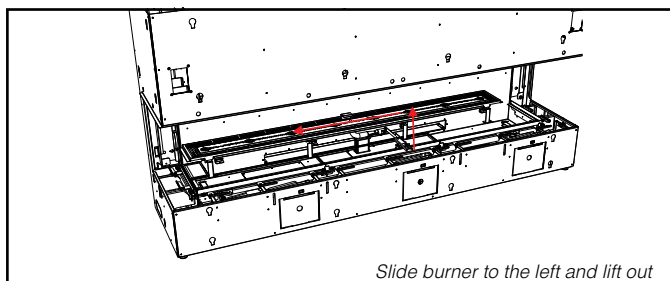
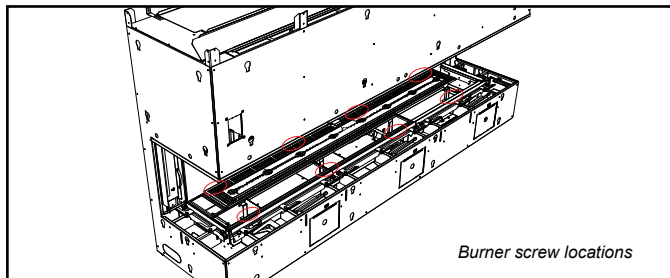
## Valve Replacement

Important: Always shut off gas supply/240 volt power prior to servicing the gas valve.

1. Turn off unit and allow to cool to room temperature.
2. Remove outer enamel or steel panels—see instructions in the panel removal section in this manual
3. Remove outer safety (barrier) and inner glass (firebox glass)—see instructions in this manual.
4. Remove all media and logs (if installed) — set aside.
5. Remove inner base panels--see panel section in this manual.
6. Remove the trim cover on right side of burner by lifting off. Also remove the burner surround by sliding to the left and lifting off.

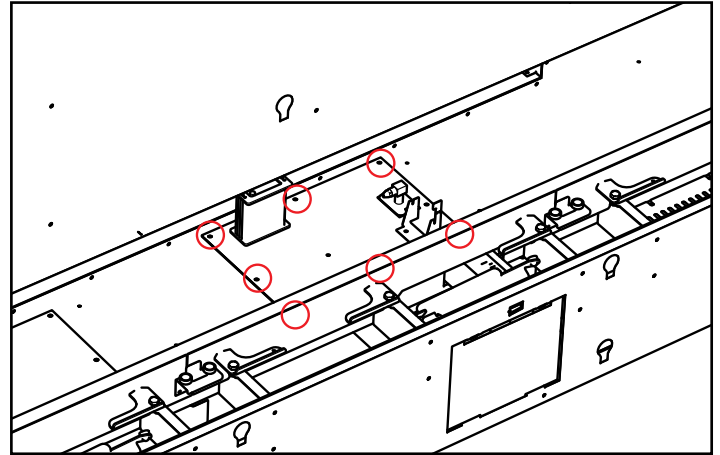


7. Remove 8 screws in locations shown below (4 at front and 4 at rear)—slide burner to the left away from the orifice and lift out.

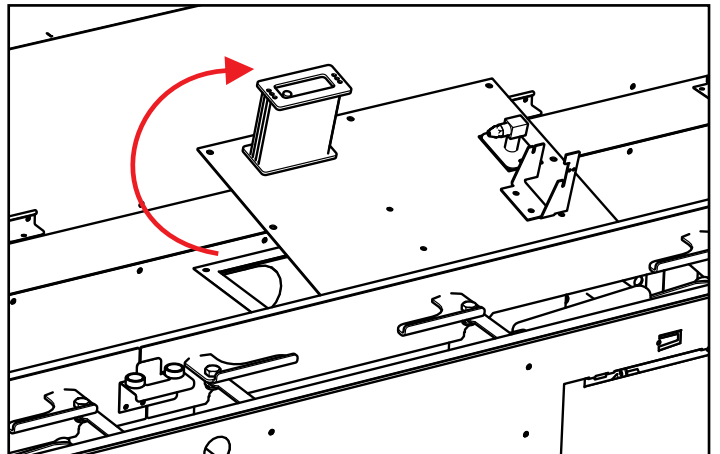


8. Remove 14 screws (not shown) in locations shown below.

9. Disconnect the Spark Electrode, flame sense & stepper motor from the IFC board (see wiring diagram for location).



10. Lift valve tray out partially and disconnect flexible gas connection on the valve inlet side, remove valve tray- replace with new valve tray & valve assembly gasket.



11. Reverse Steps 10-1 to complete.

## Gas Maintenance

In order for your Regency appliance to continue to provide comfort to your home periodic maintenance must be performed to ensure it is operating at peak efficiency. The items in the list should be checked by a licensed gas service technician during the annual service check. Your unit may require more frequent maintenance checks if you notice any changes in how it operates. Operational changes to look for can include, but are not limited to, extended start up time, increased fan noise, residue/carbon build up, white build up on the glass/firebox, increased operating noise etc. Should any of these or other conditions arise, discontinue use and schedule a service check with your local licensed gas technician. The list below shows items your licensed service technician will need to check and service at least annually.

### Clean

- Glass
- Interior bricks / panels
- Burner ports & burner air shutter
- Fan blades
- Log set
- Pilot orifices
- Pilot hood (change as needed)
- Flame sensor (electronic ignition models)
- Flame electrode
- Burner orifice
- Thermocouple (millivolt models)
- Thermopile (millivolt models)

### Inspect

- Pilot assembly
- Burner
- Pressure relief gaskets/doors
- Flue connector gasket if present
- Door seal
- Firebox
- Venting
- Batteries (remote handheld, remote receiver, DC sparker, change as needed)
- Burner media (change as needed)
- Air shutter setting
- Wiring

### Check

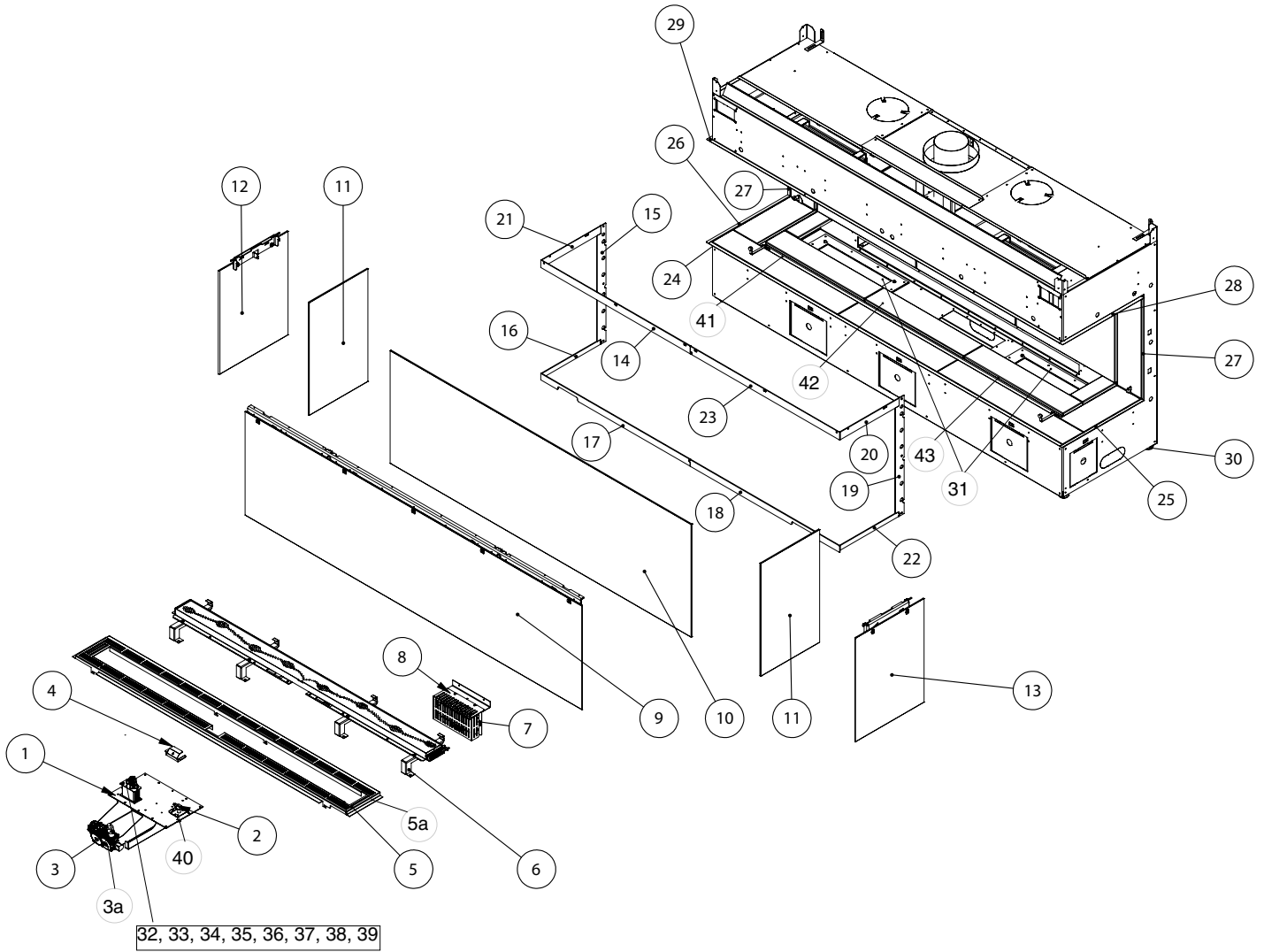
- Voltage on thermocouple/thermopile (millivolt models)
- Ohms reading on flame sense (electronic ignition models)
- Inlet/outlet fuel pressures as per rating plate
- Voltage/ohms readings on gas valve
- Ohms reading to on/off switch circuit (Millivolt models)

### Gas Leak Tests

- Check main gas line connection to valve
- Check shut off valve connections
- Check connection at gas valve outlet
- Check connection at main burner orifice
- Check pilot fuel line at valve and at pilot assembly

# parts list

## Main Assembly





## Main Assembly

	Part #	Description
1	686-578/P	Valve Assembly -NG
1	686-580/P	Valve Assembly - LP
2	904-965	Burner Orifice #32 NG (PO512)
2	905-064	Burner Orifice #52 ULPG (PO512)
2	905-065	Burner Orifice 1.88 mm (PO512)
3	911-188	Novasit Gas Valve NG
3	911-189	Novasit Gas Valve LP
3a	911-190	Stepper Motor NG
3a	911-191	Stepper Motor LP
4	686-022	Pilot Cover
5	686-024	Burner Surround
5a	686-019	Burner Surround Right Trim Cover
6	686-525/P	Burner Assembly NG/LP With Air Shutter
7	911-298/P	IFC Board SIT Proflame II CE 0.584.316
8	686-117	IFC Holder
9	940-511/P	Outer Barrier Glass Assembly Front
10	940-507/P	Inner Glass Neoceram Front
11	940-508/P	Inner Glass Neoceram Sides (Each)
12	940-509/P	Outer Barrier Glass Assembly Right
13	940-510/P	Outer Barrier Glass Assembly Left
	686-556/P	Gasket Novatec (Complete Set/Items 14-23)
14	686-033	Gasket Novatec Front Top Left
15	686-034	Gasket Novatec Side Wall Left
16	686-035	Gasket Novatec Left Bottom
17	686-036	Gasket Novatec Front Bottom Left
18	686-037	Gasket Novatec Front Bottom Right
19	686-038	Gasket Novatec Side Wall Right
20	686-039	Gasket Novatec Right Top
21	686-040	Gasket Novatec Left Top
22	686-041	Gasket Novatec Right Bottom
23	686-032	Gasket Novatec Front Top Right
24	686-123	Trim Removable Front
25	686-124	Trim Bottom Removable Right
26	686-125	Trim Bottom Removable Left
27	686-126	Trim Removable Finishing Vertical Sides
28	686-127	Trim Removable Top Right
29	686-128	Trim Removable Top Left
30	911-299	Remote Control GTMFL CE SIT 0.584.052
31	686-520/P	Bottom Pressure Relief Door Assembly ( Each)
32	911-280	Pilot Assembly - NG
32	911-281	Pilot Assembly - LP
33	910-036	Novasit Pilot Orifice - NG #51 977.165
33	910-037	Novasit Pilot Orifice - LP #30 977.167
34	911-110	Flame Electrode Spark (Long) 0.915.119
35	911-111	Flame Sense (Long) 0.915.910

36	910-432	Novasit Pilot Tubing With Nuts
37	911-039	Two Way Pilot Hood
38	911-137	Pilot Hood Clip
39	W840470	Gasket Pilot Assembly
40	656-039	Gasket Orifice Mount
41	686-070/P	Lower Glass Pad Left
42	686-071/P	Lower Glass Pad Center
43	686-072/P	Lower Glass Pad Right
N/S	686-045	Gasket Lower Pressure Relief
N/S	686-514/P	Top Pressure Relief Door Assembly ( Each)
N/S	686-044	Gasket Upper Pressure Relief
N/S	904-658	Inlet Flex Line Gas SS Steel 610 mm
N/S	911-181	Wire Harness Battery Box Proflame II
N/S	911-173	Wire Harness IFC No CPI Switch 584.924
N/S	911-299	Description
N/S	904-687	Connector Clamp 3/8
N/S	911-337/P	Battery Holder With Switch 584.103
N/S	911-335	Cover Wall Mount - White 0.584.813
N/S	911-343	Cover Wall Mount - Black 0.584.812
N/S	911-243-ASM	Power Cord 240V W/Connector
N/S	905-001	Phillip Offset Screwdriver 3cm x 9cm
N/S	911-193	Connector W/Jumper
N/S	911-209	Wire 2 Pos IFC to Lights
N/S	911-177	Wire 4 Pos IFC Fan & Light
N/S	948-079	Sunction Cups (each)
N/S	686-121	Light Cover (Each)
N/S	656-086	Light Glass Bracket (Each)
N/S	686-075	Bracket Glass Lower
N/S	686-076	Bracket Barrier Glass Side Tension
N/S	686-077	Glass Rail Sides (Each)
N/S	686-082	Bracket Upper Glass Left
N/S	686-083	Bracket Upper Glass Right
N/S	686-086	Upper Glass Bracket
N/S	686-091	Glass Clamp Lower Side
N/S	686-180	Glass Support Pad Lower
N/S	671-021	Lower Glass Pad Right
N/S	666-038	Upper Glass Clamp Right
N/S	666-039	Upper Glass Clamp Left
N/S	666-040	Rail Holder Left
N/S	666-044	Glass Barrier Adjuster Bracket
N/S	666-056	Glass Lift Lever
N/S	686-176	Vent Restrictor
N/S	666-138	Wire Housing Metal Box
N/S	666-139	Wire Housing Metal Box Cover
N/S	671-015	Rail Holder Right

# parts list

N/S	904-790	Magnet Round
N/S	904-970	Cup Magnet OD (Rivet)
N/S	948-223	Logo Plate Plastic Regency/Flame Silver
N/S	946-634	Glowing Wool Black Sea 6 Gram
N/S	686-519/P	Glass Support Stopper (Set Of 4)
N/S	936-155	Gasket Tadpole Tape (Sold per 305 mm) 305 mm required
N/S	936-220	Gasket Tape 51 mm Wide Graphite (Sold per 305 mm) 2438 mm required
N/S	936-222	Gasket Tape 25 mm Wide Graphite (Sold per 305 mm) 610 mm required
N/S	936-243	Gasket 19 mm Window Adhesive (Sold per 305 mm) 5497 mm required
N/S	656-085	Gasket Light Cover (Each)
N/S	686-043	Gasket Valve Assembly
N/S	948-020	Spring Clip (Each) 4 Per Unit
N/S	911-182	IFC Digital Fireplace Control Fuse 3.15 amp Fast Acting
N/S	911-272	Oven Lamp G9 120V 25W (Wire 136.3" Long)
N/S	911-300	Halogen bulb G9/230V/25W
N/S	686-091	Glass Clamp Lower Side
N/S	686-092	Barrier Glass Hanger Right
N/S	686-093	Barrier Glass Hanger Left
N/S	686-094	Bracket Glass Upper
N/S	686-180	Glass Support Pad Lower
N/S	686-014	Burner Mount Bracket
N/S	686-019	Trim Cover
N/S	686-532	Burner Tube W/Air Cap
N/S	656-086	Light Glass Bracket
N/S	666-038	Upper Glass Clamp
N/S	666-039	Upper Glass Clamp Left
N/S	666-040	Rail Holder Left
N/S	666-044	Glass Barrier Adjuster Bracket
N/S	666-056	Glass Lift Lever
N/S	666-057	Glass Support Bracket
N/S	666-058	Firebox Glass Support
N/S	686-176	Restrictor

Accessories		
	Part #	Description
N/S	686-900	Steel Stud Framing Kit
N/S	686-907	Inner Panel Black
N/S	686-908	Inner Panel Enamel Black
N/S	686-927	Corner Installation Kit Black
N/S	686-928	Corner Installation Kit Enamel Black
N/S	726-967	Propane / ULPG
N/S	686-930/P	Log Set 60 City Series (Driftwood)
N/S	686-932/P	Log Set 60 City Series (Birch)
N/S	686-934/P	Log Set 60 City Series (Split Oak)
N/S	686-991	Chase Vent Front White
N/S	946-766	Adaptor HeatWave
N/S	946-591	HeatWave Kit
N/S	946-675	Fireglass Black Reflective 6 mm/454 gram pkg.
N/S	946-676	Fireglass Copper 6 mm/454 gram pkg.
N/S	946-677	Fireglass Starfire 6 mm/454 gram pkg.
N/S	946-710	Stones -Slate/Grey Basalt Natural 6810 grams
N/S	946-711	Stones - Ivory/Tan Basalt Natural 6810 grams
N/S	946-680	Crushed Glass Coal 19 mm/1587 grams

Lined area for notes with 25 horizontal lines.

# warranty

## Limited Lifetime Warranty

FPI Fireplace Products International Ltd. (“the manufacturer”) through its wholly owned subsidiary, Fireplace Products Australia Pty Ltd (for Australia and New Zealand customers) and sold under the Regency® brand of fireplace products (collectively referred to herein as “FPI”), extends this Limited Lifetime Warranty to the original purchaser of this appliance provided the product remains in the original place of installation. The items covered by this limited warranty and the period of such coverage is set forth in the table below.

Some conditions apply (see below).

The policy is not transferable, amendable or negotiable under any circumstances.

Indoor Gas Products Warranty Coverage Parts and Labor	Part				Supplier	Labor Coverage
	Lifetime	5 years	2 years	1 year	Warranty	(Years)
Firebox and Heat Exchanger	✓					3
Steel Burner Tube	✓					3
Glass Thermal breakage only	✓					3
All Surrounds/Inlays Finishes		✓				3
Brick Panels/Log sets/Ceramic Burners		✓				3
All Castings		✓				3
Valve assembly and all gas control components (Pilot assembly, flame sensors, Spark Electrode, Pilot Tubing, Orifices, Thermocouple, Thermopile)			✓			2
All Other Electrical components with the exception of WIFI Dongle (Ignition Control Boards, Wiring, Switches, Fans, Fan Control Module, Battery Pack, Remote Control Systems)			✓			1
Enamel Panels			✓			1
Venting/Venting Components			✓			1
All Stainless steel surrounds				✓		1
All Firebox Media (Crystals, Fire beads, Volcanic, Ceramic & Spa Stones)				✓		1
All hardware				✓		1
Mesh/Glass Safety Barriers				✓		1
Accent Light Bulbs				✓		1
Glass (Crazing)				✓		1
WIFI Dongle (Applicable Models)				✓		1

After the original warranty coverage for any of the parts above have expired, any repair and/or replacement parts purchased by the consumer from FPI or through an accredited distributor or dealer will carry a ninety (90) day warranty (valid only with an original copy of the tax invoice). No labor coverage is included with any repair and/or replacement part.

Replacement parts are limited to one per warranty term.

### Conditions:

Warranty protects against defect in manufacture or FPI factory assembled components only, unless herein specified otherwise. This warranty will only apply to those products which are acquired at the time of this warranty being effective. FPI will not be liable for any damage or loss that falls outside the scope of the warranty.

Any part(s) found to be defective during the warranty period as outlined above will be repaired or replaced at FPI's option through an accredited distributor, dealer or pre-approved and assigned agent provided that the defective part is returned to the distributor, dealer or agent for inspection if requested by FPI. Alternatively, FPI may at its own discretion fully discharge all of its obligations under the warranty by refunding the verified purchase price of the product to the original purchaser. The purchase price must be confirmed by an original copy of the tax invoice.

**The authorised selling dealer, or an alternative authorised FPI dealer if pre-approved by FPI, is responsible for all in-field diagnosis and service work related to all warranty claims. This warranty does not cover dealer travel costs for diagnostic or service work. Dealers may charge homeowner for travel and additional time. Check with your selling dealer in advance for any costs to you when arranging a warranty call. FPI is not responsible for results or costs of workmanship of unauthorised FPI dealers or agents in the negligence of their service work. Additional service fees may apply if you are seeking warranty service from a dealer other than the dealer from whom you originally purchased the product.**

At all times FPI reserves the right to inspect reported complaints on location in the field claimed to be defective and determine whether the warranty will apply prior to processing or authorising of any claim. Failure to allow this upon request will void the warranty.

All warranty claims must be submitted by the dealer servicing the claim, including an original copy of the tax invoice (proof of purchase by you). All claims must be complete and provide full details as requested by FPI to receive consideration for evaluation, including proof of maintenance records. Incomplete claims may be rejected. FPI has absolute discretion to assess and determine any warranty claim and may accept or reject a claim as it considers appropriate. Any part or parts of the unit found to be defective will be repaired or replaced at FPI's option, through an accredited distributor or service agent provided that the defective part be returned to the distributor or agent, **Transportation Prepaid**, if requested. **It is the general practice of FPI to charge for larger, higher priced replacement parts and issue credit once the replaced component has been returned to FPI and evaluated for manufacturer defect.**

**If a consumer has a unit installed outside an accredited distributor, dealer or pre-approved service agent's service area, or the closest approved service agent is situated more than thirty (30) kilometres from the installation, FPI is not obliged to arrange warranty repairs or shipping/transportation costs. In these cases, the consumer must arrange warranty service with its selling dealer, and shipping, travel and/or additional labor charges will apply.**

Unit must be installed according to all manufacturers' instructions as per the manual.

All Local and National required codes must be met.

The installer is responsible to ensure the unit is operating as designed at the time of installation.

The original purchaser is responsible for annual maintenance of the unit, as outlined in the owner's manual. As outlined below, the warranty may be voided due to problems caused by lack of maintenance. Annual maintenance records should be retained.

Repair/replacement parts purchased by the consumer from FPI after the original coverage has expired on the unit will carry a 90 day warranty, valid with a receipt only. Any item shown to be defective will be repaired or replaced at our discretion. No labor coverage is included with these parts.

#### **Exclusions:**

This Limited Lifetime Warranty does not extend to paint, rust or corrosion of any kind due to a lack of maintenance or improper venting, combustion air provision, corrosive chemicals (i.e. chlorine, salt, air, etc.), door or glass gasket.

Malfunction, damage or performance based issues as a result of environmental conditions, location, chemical damages, downdrafts, installation error, installation by an unqualified installer, incorrect chimney components (including but not limited to cap size or type), operator error, abuse, misuse, use of improper fuels, accidents, lack of regular maintenance and upkeep, acts of God, weather related problems from hurricanes, tornados,

# warranty

earthquakes, floods, lightning strikes/bolts or acts of terrorism or war, which result in malfunction of the appliance are not covered under the terms of this Limited Lifetime Warranty.

FPI has no obligation to enhance or modify any unit once manufactured (i.e. as products evolve, field modifications or upgrades will not be performed on existing appliances).

Any unit showing signs of neglect or misuse will not be covered under the terms of this warranty policy and may void this warranty. This includes units with rusted or corroded fireboxes which have not been reported as rusted or corroded within three (3) months of installation/purchase. Any alteration to the unit which causes sooting or carboning that results in damage to the exterior fascia or over firing that can cause component or firebox/heat exchanger failure will not be covered by this warranty.

Units which show evidence of being operated while damaged, or with problems known to the purchaser and causing further damages will void this warranty.

Units where the serial no. has been altered, deleted, removed or made illegible will void this warranty.

Minor movement, expansion and contraction of the steel is normal and is not covered under the terms of this warranty.

Freight damages for products or parts are not covered under the terms of the warranty.

Porcelain/Enamel: Absolute perfection is neither guaranteed nor commercially possible. Any chips must be reported and inspected by the authorised selling dealer within three (3) days of installation. Any damage of this type not reported after this time period will be subject to rejection and any related warranty will not apply.

Special Finishes: Expect some changes in color as the product "ages" with constant heating and cooling. The manufacturer warranty does not cover tarnishing, changing colors and/or marks (i.e. finger prints, etc.) after the purchase of the product. Damage from the use of abrasive cleaners is not covered by warranty.

Products made or provided by other manufacturers and used in conjunction with the FPI appliance without prior authorisation from FPI may void this warranty.

**INCORRECT INSTALLATION OR GAS PRESSURE SETTINGS ARE NOT COVERED BY WARRANTY. A SERVICE OR CALLOUT FEE WILL BE CHARGED IN THESE CIRCUMSTANCES.**

## Limitations of Liability:

### 1. Exclusion of implied terms

The customer may have the benefit of consumer guarantees under the Australian Consumer Law. To the maximum extent permitted by law, all terms, conditions or warranties that would be implied into this Warranty or in connection with the supply of any goods or services by the supplier under law or statute or custom or international conventions are excluded.

### 2. Limitation of liability

(a) To the maximum extent permitted by law and subject to clauses 1 and 3, the supplier's total liability arising out of or in connection with its performance or its obligations pursuant to this Warranty, or arising out of or in connection with the supply of specific goods or services (including pursuant to or for breach of this Warranty, under statute, in equity or for tort, including negligent acts or omissions) is limited as follows: (i) the supplier shall have no liability to the customer for any Consequential Loss; (ii) without limiting the effect of clause 2(a)(i), the supplier's total aggregate liability for Loss, however arising, shall not exceed the GST exclusive aggregate price paid by the customer to the supplier for the specific goods or services that gave rise to the Loss in question.

(b) The limitations and exclusions in this sub-clause do not apply to the extent that any Loss is directly attributable to: (i) the personal injury or death caused by the supplier's default, breach of this Warranty or negligence; or (ii) fraud by the supplier.

(c) Each party must take reasonable steps to mitigate any Loss it suffers or incurs.

### 3. Limitation of liability under Australian Consumer Law Guarantees

(a) To the extent that goods supplied by the supplier are not goods of a kind ordinarily acquired for personal, domestic or household use and the customer is deemed to be a consumer for the purposes of section 64A of the Australian Consumer Law, the customer agrees that the supplier's liability for a failure to comply with a consumer guarantee that the customer may have a benefit under the Australian Consumer Law (other than a guarantee under sections 51 (title), 52 (undisturbed possession) and 53 (undisclosed securities)), is limited to, at the option of the supplier, one or more of the following: (i) replacement of the goods or the supply of equivalent goods; (ii) the repair of the goods; (iii) the payment of the cost of replacing the goods or of acquiring equivalent goods; or (iv) equivalent goods; or (v) the payment of the cost of having the goods repaired.

(b) To the extent that services supplied by the supplier are services other than services of a kind ordinarily acquired for personal, domestic or household use or consumption, the supplier's liability for failure to comply with a consumer guarantee that the customer may have the benefit of is limited to, at the option of the supplier: (i) the supply of the services again; or (ii) the payment of the cost of having the services supplied again.

### 4. Subject to Change

This Limited Warranty is given at the time of sale and purchase of the relevant fireplace product. The terms of this Limited Warranty may be amended from time to time by FPI in accordance with changes to business practices, consumer laws or other legal requirements. The rights and protections granted under the Limited Warranty are those in force in relation to a fireplace product at the time and in the place of sale of that product, and only those terms will be applicable in respect of that product.

### 5. Severability

Any term of this Limited Warranty that is invalid or unenforceable in any jurisdiction is to be read down for the purposes of that jurisdiction, if possible, so as to be valid and enforceable, and is otherwise capable of being severed to the extent of the invalidity or unenforceability, without affecting the remaining provisions of this Limited Warranty or affecting the validity or enforceability of that provision in any other jurisdiction.

### 6. Definitions

For purposes of clauses 1, 2 and 3:

(a) Consequential Loss means loss of expected savings, loss of use, loss of opportunity, loss of profit, loss of revenue, increased financing costs, loss arising from delay, or any consequential, special or indirect loss or damage, whether or not the possibility or potential extent of the loss or damage was known or foreseeable, and whether arising from a claim under indemnity, contract, tort (including negligence), statute or otherwise.

(b) Loss means any expense, cost or damage of any kind and includes Consequential Loss and a fine or penalty imposed by a statutory or other authority.

# warranty

## How to Obtain Warranty Service:

Customers should contact the authorised selling dealer to obtain warranty service. In the event the authorised selling dealer is unable to provide warranty service, please contact FPI by mail at the address listed below. Please include your name, address, purchase date, selling dealer, serial #, type of unit, a brief description of the problem, email and telephone contact information, and a copy of your original tax invoice. A representative will contact you to make arrangements for an inspection and/or warranty service. (See below for Western Australia and/or New Zealand)

Please note Fireplace Products Australia Pty Ltd does not provide installation services.

### Fireplace Products Australia Pty Ltd

99 Colmans Road  
Dandenong, VIC  
Australia, 3175  
Phone: +61 3 9799 7277  
Fax: +61 3 9799 7822

To obtain warranty service in Western Australia and/or New Zealand, please contact one of our authorised distributors in those areas:

#### Western Australia:

**Air Group Australia**  
28-30 Division St.  
Welshpool, WA  
Australia, 6106  
Phone: (08) 9350 2200  
Fax: (08) 9353 4225

#### New Zealand:

**Aber Holdings Ltd**  
PO Box 10095  
Te Rapa, Hamilton  
  
New Zealand, 3241  
  
Freephone: 0800 161 161

## Product Registration and Customer Support:

Thank you for choosing a Regency Fireplace. Regency strives to be a world leader in the design, manufacture, and marketing of hearth products. To provide the best support for your product, we request that you complete a product registration form at <http://www.regency-fire.com.au/Customer-Care/Warranty-Registration.aspx> within ninety (90) days of purchase.





**Product Registration and Customer Support:**

Thank you for choosing a Regency Fireplace. Regency strives to be a world leader in the design, manufacture, and marketing of hearth products. To provide the best support for your product, we request that you complete a product registration form found on our Web Site under Customer Care within ninety (90) days of purchase.

For purchases made in **CANADA or the UNITED STATES:**

<http://www.regency-fire.com/Customer-Care/Warranty-Registration.aspx>

For purchases made in **AUSTRALIA:**

<http://www.regency-fire.com.au/Customer-Care/Warranty-Registration.aspx>

You may also complete the warranty registration form below to register your Regency Fireplace Product and mail and/or fax it back to us, and we will register the warranty for you. It is important you provide us with all the information below in order for us to serve you better.

**Warranty Registration Form (or Register online immediately at the above Web Site):**

<b>Warranty Details</b>	
Serial Number (required):	
Purchase Date (required) (mm/dd/yyyy):	
<b>Product Details</b>	
Product Model (required):	
<b>Dealer Details</b>	
Dealer Name (required):	
Dealer Address:	
Dealer Phone #:	
Installer:	
Date Installed (mm/dd/yyyy):	
<b>Your Contact Details (required)</b>	
Name:	
Address:	
Phone:	
Email:	

For purchases made in CANADA:

**FPI Fireplace Products International Ltd.**  
6988 Venture St.  
Delta, British Columbia  
Canada, V4G 1H4

Phone: 604-946-5155  
Fax: 1-866-393-2806

For purchases made in the UNITED STATES:

**Fireplace Products US, Inc.**  
PO Box 2189 PMB 125  
Blaine, WA  
United States, 98231

Phone: 604-946-5155  
Fax: 1-866-393-2806

For purchases made in AUSTRALIA:

**Fireplace Products Australia Pty Ltd**  
99 Colmans Road  
Dandenong, VIC  
Australia, 3175

Phone: +61 3 9799 7277  
Fax: +61 3 9799 7822

For fireplace care and tips and answers to most common questions please visit our Customer Care section on our Web Site. Please feel free to contact your selling dealer if you have any questions about your Regency product.

warranty



***Installer: Please complete the following information***

Dealer Name & Address: \_\_\_\_\_

\_\_\_\_\_

Installer: \_\_\_\_\_

Phone #: \_\_\_\_\_

Date Installed: \_\_\_\_\_

Serial #: \_\_\_\_\_