

ETHIOS

WOODFIRES

Australia Woodfire Pricelist
May 2020 Edition



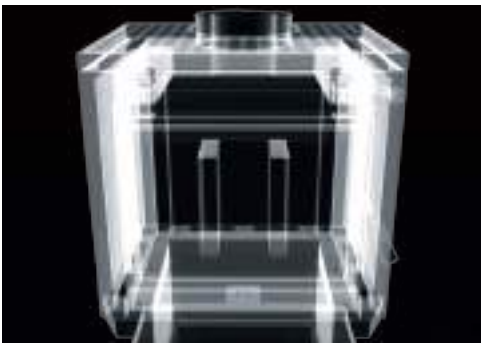
The **evolution** of the wood fire as a **clean and efficient** heating solution.

ethosfires.com.au



draft free operation for airtight homes

Ethos unique flue system draws all its combustion air from outside the building, meaning the fire does not interact with the internal air. Ethos fires work perfectly in airtight environments, and in older buildings they reduce cold drafts so you'll feel warmer, longer.



a smarter designed firebox

Incoming air is preheated by the hot exhaust inner flue, delivering super heated combustion air. The specially designed firebox creates four distinct burn areas, delivering you more heat from the wood you burn and less smoke going up the chimney.



big things from a small package

Our compact firebox delivers similar heating power to much larger fires from other companies. Take your room back with a powerful Ethos fire, and get more heat out while you burn less wood.



low emission and highly efficient

A hot fire is a clean fire, and Ethos fires are some of the cleanest. Burn soft or hard woods with ease, and get more heat from less wood compared to other less efficient fires. Ideal for urban areas, the emissions from an Ethos fire are among the lowest in the market.



coloured to suit your room

Change the fire to fit your decor, not your decor to suit the fire. With more than 160 colour options available you can customise the fire make a bold statement, or make your fire a more subtle appliance. The choice is yours.

Freestanding Fire

| Model | Description | RRP |
|-------------|-------------------------------------------------------------------------|-------|
| FS100-xxxxx | Genesis Freestanding Woodfire (replace xxxxx with colour chart code) | 3,299 |
| EXA-10003 | EconAir 4.2m flue kit for Ethos freestanding fires | 799 |

Genesis Performance

Estimated Peak Output: 18 kW
 Average Efficiency: 67%
 Average Emissions: 1.3 g per kg
 Emissions per Output: 97 mg per MJ

Tested and compliant to the following standards:
 AS/NZS 4012:1999 Power output and heating efficiency
 AS/NZS 4013:1999 Flue gas emissions
 AS/NZS 2918:2001 Safety



ETHOS
WOODFIRES
15 YEAR
FIREBOX
WARRANTY

ETHOS
WOODFIRES
CHOOSE
YOUR BESPOKE
COLOUR FOR THE
SAME PRICE

ETHOS
WOODFIRES
PROUDLY
DESIGNED AND
MANUFACTURED
IN NEW ZEALAND

PACIFICGOLD
*excludes Lucent finishes

DURALLOY
FORBIDDEN BY NATURE

Freestanding Fire

| Model | Description | RRP |
|-------------|-------------------------------------------------------------------------|-------|
| FS101-xxxxx | Phoenix Freestanding Woodfire (replace xxxxx with colour chart code) | 3,299 |
| EXA-10003 | EconAir 4.2m flue kit for Ethos freestanding fires | 799 |

Phoenix Performance

Estimated Peak Output: 18 kW
 Average Efficiency: 69%
 Average Emissions: 1.0 g per kg
 Emissions per Output: 72 mg per MJ

Tested and compliant to the following standards:
 AS/NZS 4012:1999 Power output and heating efficiency
 AS/NZS 4013:1999 Flue gas emissions
 AS/NZS 2918:2001 Safety



ETHOS
WOODFIRES
**15 YEAR
FIREBOX
WARRANTY**

ETHOS
WOODFIRES
**CHOOSE
YOUR BESPOKE
COLOUR FOR THE
SAME PRICE**

ETHOS
WOODFIRES
**PROUDLY
DESIGNED AND
MANUFACTURED
IN NEW ZEALAND**

PACIFICGOLD
¹excludes Lucent finishes

DURALLOY
PERMANENT FINISH

Freestanding Fire

| Model | Description | RRP |
|-------------|------------------------------------------------------------------------|-------|
| FS105-xxxxx | Galaxy Freestanding Woodfire (replace xxxxx with colour chart code) | 3,299 |
| EXA-10003 | EconAir 4.2m flue kit for Ethos freestanding fires | 799 |

Galaxy Performance

Estimated Peak Output: 18 kW
 Average Efficiency: 67%
 Average Emissions: 1.3 g per kg
 Emissions per Output: 97 mg per MJ

Tested and compliant to the following standards:
 AS/NZS 4012:1999 Power output and heating efficiency
 AS/NZS 4013:1999 Flue gas emissions
 AS/NZS 2918:2001 Safety



ETHOS
WOODFIRES
**15 YEAR
FIREBOX
WARRANTY**

ETHOS
WOODFIRES
**CHOOSE
YOUR BESPOKE
COLOUR FOR THE
SAME PRICE**

ETHOS
WOODFIRES
**PROUDLY
DESIGNED AND
MANUFACTURED
IN NEW ZEALAND**

PACIFICGOLD
*excludes Lucent finishes

DURALLOY
FORWARD THINKING

Floor Level Insert and Zero Clearance Fire

| Model | Description | RRP |
|---------------------------------------------------------|--------------------------------------------------------------------------------------------------------------|-------|
| IS100-xxxxx | Ares Insert Woodfire (replace xxxxx with colour chart code) | 3,299 |
| EXA-10004 | EconAir 4.2m flue kit for Ethos insert fires | 699 |
| Option - Zero Clearance Floor Level Installation | | |
| EZC-031135 | Zero Clearance Cabinet for timber framed insert install | 999 |
| EZC-031140 | Zero Clearance Cabinet Base for timber floor installs | 799 |
| EXA-10042 | EconAir 4.2m flue kit for Ethos insert fires using ZC-03-1135 Zero Clearance Kit (use in place of EXA-10004) | 1099 |

Ares Performance

Estimated Peak Output: 14 kW
 Average Efficiency: TBC
 Average Emissions: TBC
 Emissions per Output: TBC

Tested and compliant to the following standards:
 AS/NZS 4012:1999 Power output and heating efficiency
 AS/NZS 4013:1999 Flue gas emissions
 AS/NZS 2918:2001 Safety



ETHOS
WOODFIRES
**15 YEAR
FIREBOX
WARRANTY**

ETHOS
WOODFIRES
**CHOOSE
YOUR BESPOKE
COLOUR FOR THE
SAME PRICE**

ETHOS
WOODFIRES
**PROUDLY
DESIGNED AND
MANUFACTURED
IN NEW ZEALAND**

PACIFIC GOLD
¹ excludes Lucent finishes

DURALLOY
FOR THE BEST

ares frame



Wall Mounted Zero Clearance Fire

| Model | Description | RRP |
|-------------|---------------------------------------------------------------------------------------------------------------------------|-------|
| IS102-xxxxx | Ares Full Frame Surround Insert Woodfire (replace xxxxx with colour chart code) | 3,499 |
| EZC-031135 | Zero Clearance Cabinet for timber framed insert install | 999 |
| EXA-10042 | EconAir 4.2m flue kit for Ethos insert Zero Clearance Kit | 1099 |
| Option | | |
| EZC-031140 | Zero Clearance Cabinet Base for timber base installs Optional: Not required if the fire sits on a non-combustible base | 799 |

Ares Performance

Estimated Peak Output: 14 kW
 Average Efficiency: TBC
 Average Emissions: TBC
 Emissions per Output: TBC

Tested and compliant to the following standards:
 AS/NZS 4012:1999 Power output and heating efficiency
 AS/NZS 4013:1999 Flue gas emissions
 AS/NZS 2918:2001 Safety



ETHOS
WOODFIRES
**15 YEAR
FIREBOX
WARRANTY**

ETHOS
WOODFIRES
**CHOOSE
YOUR BESPOKE
COLOUR FOR THE
SAME PRICE**

ETHOS
WOODFIRES
**PROUDLY
DESIGNED AND
MANUFACTURED
IN NEW ZEALAND**

PACIFICGOLD
*excludes Lucent finishes

DURALLOY
PERFORMANCE FINISH

| Model | Description | RRP |
|-----------|-----------------------------------------------------------------|-----|
| EXS-11001 | 304 Stainless steel inner flue extension Φ 130mm x 1200mm | 109 |
| EXS-11002 | 304 Stainless steel inner flue extension Φ 130mm x 600mm | 89 |
| EXS-11014 | Black painted galvanised outer liner Φ 200mm x 1200mm | 169 |
| EXS-11007 | Unpainted galvanised outer liner Φ 200mm x 1200mm | 89 |
| EXS-11010 | Unpainted galvanised outer liner Φ 250mm x 1200mm | 99 |
| EXS-12001 | Cowl cone for freestanding models | 199 |
| EXS-12002 | Cowl cone for insert models | 199 |
| EXS-12010 | Rotating cowl | 149 |
| EXS-13003 | Ceiling plate black Φ 200mm | 79 |
| EXS-13007 | 304 Stainless steel inner flue telescopic offset Φ 130mm | 199 |
| EXS-13010 | Spider bracket Φ 130mm | 29 |
| EXA-10014 | Black painted galvanised 180° flue shield for Φ 200mm flue | 249 |
| EXS-11033 | 304 Stainless steel outer liner Φ 200mm x 1200mm | 179 |
| EXS-11034 | 304 Stainless steel outer liner Φ 250mm x 1200mm | 199 |

coloured panel sets



¹excludes Lucent finishes



| Model | Description | RRP |
|--------------|-----------------------------------------------------------------------------------------|-----|
| CFS100-xxxxx | Genesis/Aquos coloured panel replacement set (replace xxxxx with colour chart code) | 799 |
| CFS101-xxxxx | Phoenix coloured body replacement (replace xxxxx with colour chart code) | 999 |
| CFS105-xxxxx | Galaxy coloured body replacement (replace xxxxx with colour chart code) | 899 |
| CIS100-xxxxx | Ares coloured facia replacement (replace xxxxx with colour chart code) | 749 |
| CIS102-xxxxx | Ares Picture Frame coloured facia replacement (replace xxxxx with colour chart code) | 899 |

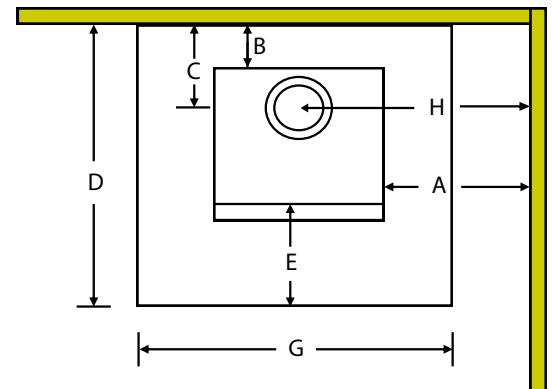
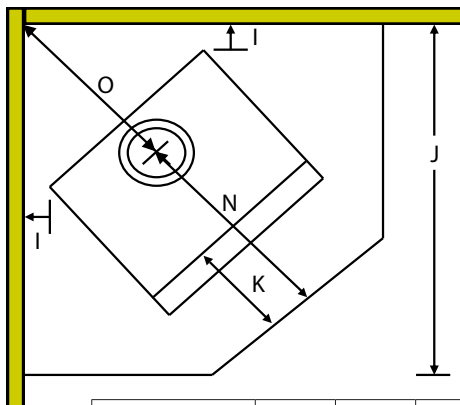
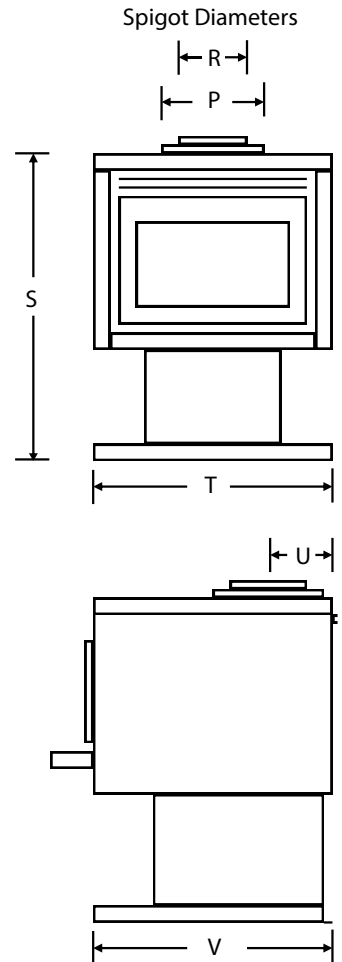
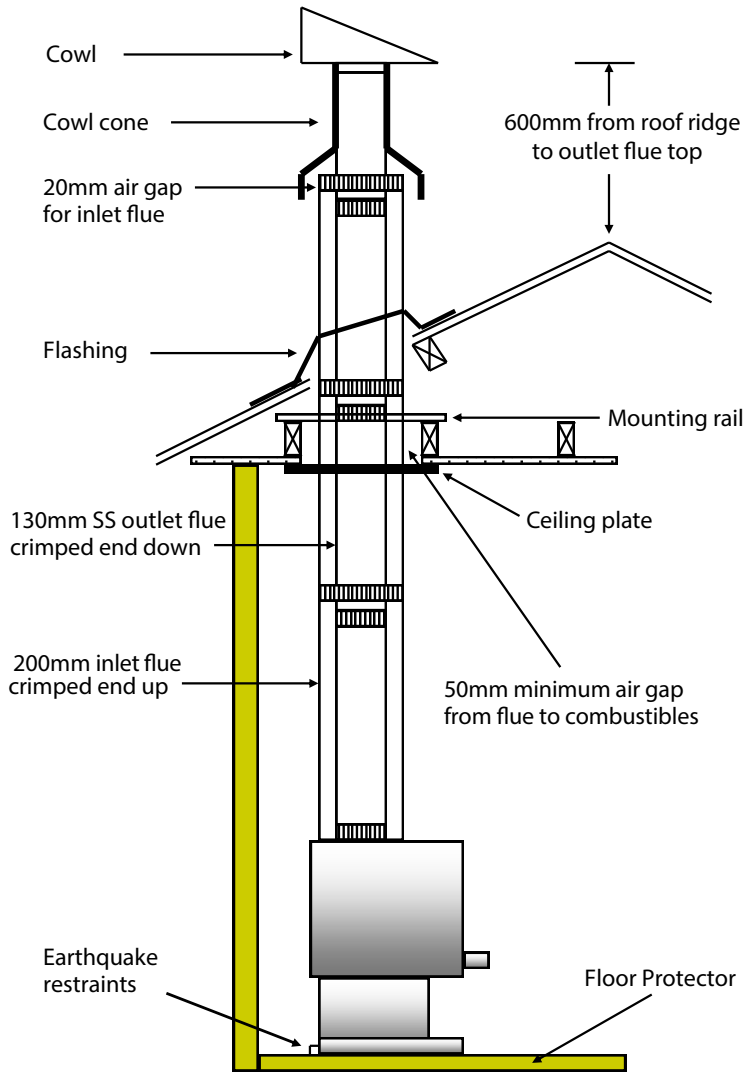
replacement parts

| Model | Description | RRP |
|-----------|-------------------------------------------------------------|-----|
| EEP-50032 | Air control knob (all models) | 20 |
| EEP-50037 | Door knob (all models) | 25 |
| EEM-90004 | Door glass (all models) | 179 |
| EES-10102 | Door glass retainer (all models) | 99 |
| EES-10101 | Door frame only (all models) | 499 |
| EXS-11010 | Door latch assembly (all models) | 99 |
| EEM-90005 | Door rope seal (all models) | 119 |
| EES-10100 | Complete door unit (all models) | 799 |
| EEP-50118 | Air tube retaining clip (all models) | 10 |
| EEP-50045 | Top air tube (<u>Genesis</u> model only) | 169 |
| EEP-50043 | Top air tube (<u>Phoenix</u> and <u>Ares</u> models only) | 169 |
| EEP-50044 | Rear air tube (<u>Phoenix</u> and <u>Ares</u> models only) | 169 |
| EEP-50140 | Top air tube (<u>Aquos</u> model only) | 199 |
| EEP-50141 | Rear air tube (<u>Aquos</u> model only) | 199 |
| EES-10006 | Front bottom air deflector, stainless steel (all models) | 199 |
| EEP-50061 | Top grill black section (<u>Genesis</u> model only) | 299 |
| EES-10016 | Replacement fire poker (all models) | 59 |
| EEA-FSK | Reusable firelighter kit | 49 |

replacement fire bricks

| Model | Description | RRP |
|-----------|------------------------------------------------|-----|
| EEP-50119 | Top baffle replacement (all models) | 99 |
| EEM-90002 | Side fire brick 230mm x 115mm x 40mm (ea) | 25 |
| EEM-90025 | Bottom fire brick 230mm x 115mm x 25mm (ea) | 25 |
| EEP-50030 | Bottom fire brick 115mm x 115mm x 25mm (ea) | 25 |
| EEM-90043 | Side baffle section (<u>Aquos</u> only) | 99 |
| EEP-50031 | Fire brick retaining clip (<u>Aquos</u> only) | 15 |

freestanding clearances




| all clearances mm | A | B | C | D | E | G | H | I | J | K | N |
|-------------------|-----|-----|-----|-----|-----|-----|-----|----|------|-----|-----|
| No flue shield | 310 | 170 | 300 | 955 | 300 | 800 | 320 | 38 | 1000 | 300 | 650 |
| With flue shield | 310 | 85 | 210 | 870 | 300 | 800 | 301 | 19 | 1000 | 300 | 650 |

| all dims mm | O | P | R | S | T | U | V |
|------------------|-----|-----|-----|-----|-----|-----|---|
| Genesis / Galaxy | 200 | 130 | 740 | 540 | 130 | 485 | - |
| Phoenix | 200 | 130 | 670 | 540 | 130 | 485 | - |



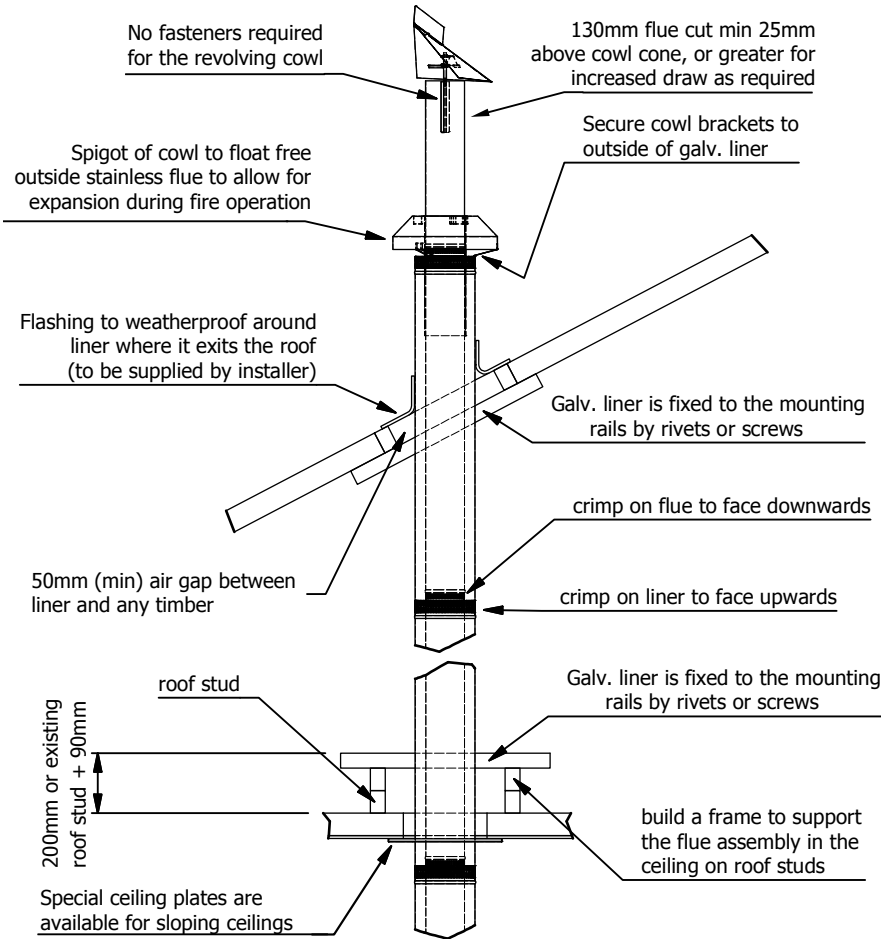
IMPORTANT: It is the responsibility of the installer to ensure that the installation of this appliance complies with AS/NZS 2918. The above installation diagrams are provided as a guide only.

flue kit details

 This Flue Kit must be installed by a suitably qualified tradesperson or a solid fuel heater installer.

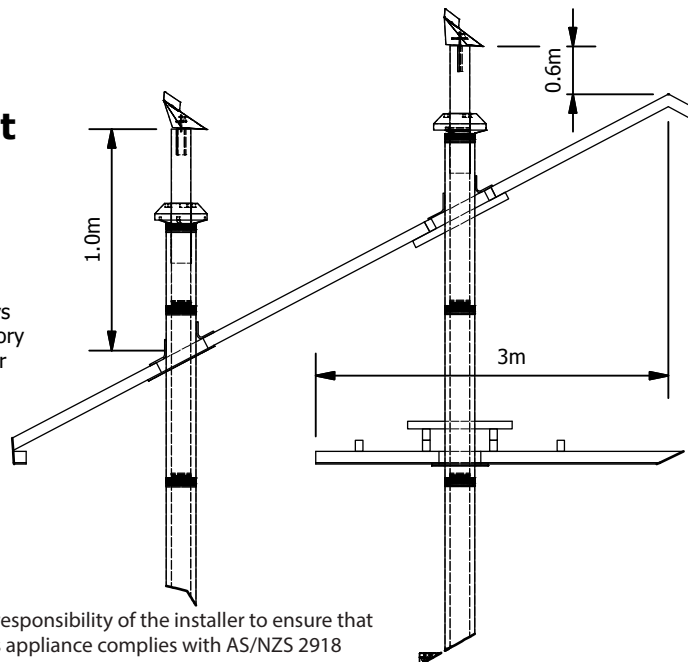
* This kit may require additional components to complete installation.

Roof & Ceiling Installation

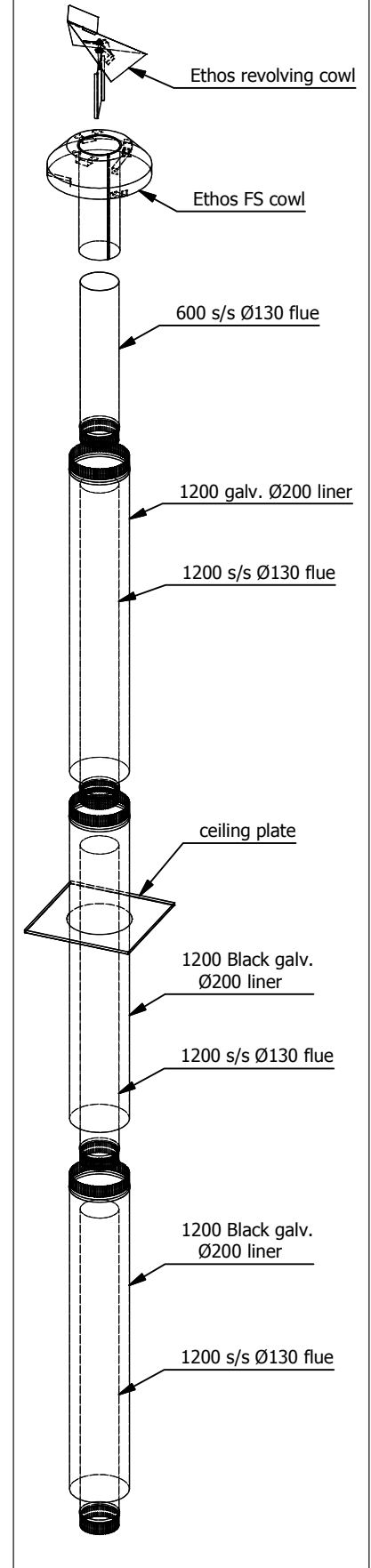



Minimum Chimney Height (excluding cowl)

Depending on local circumstances, taller chimneys may be required for satisfactory performance. Check with your local building authority.

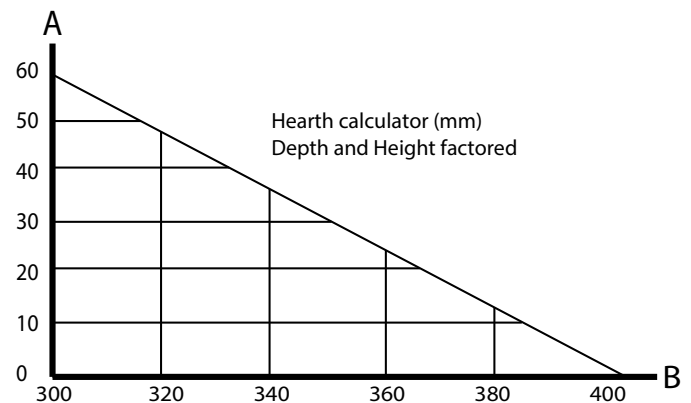
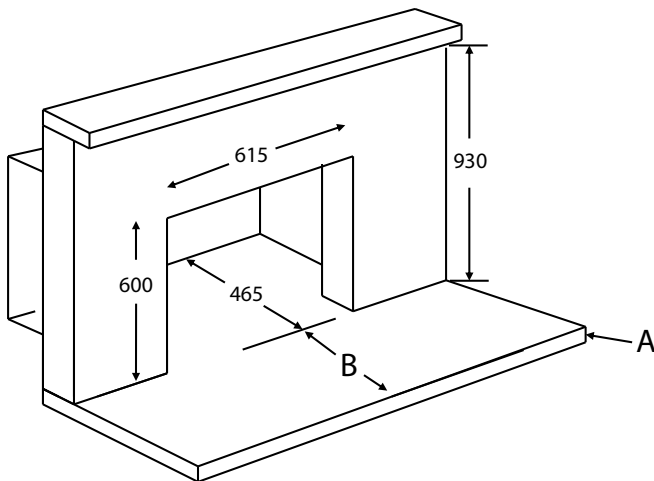
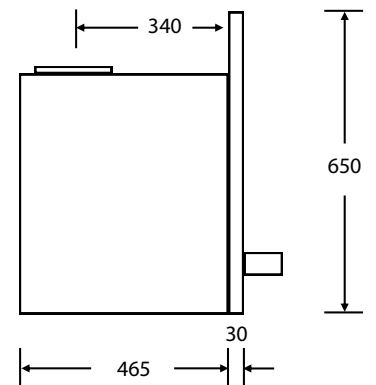
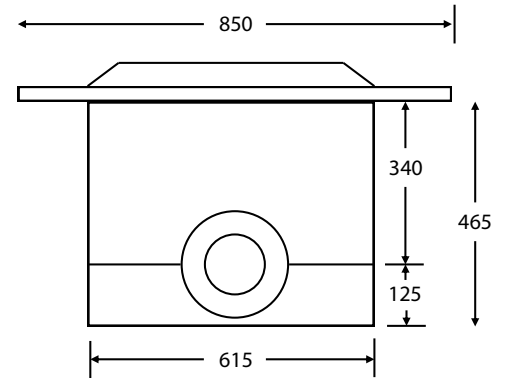
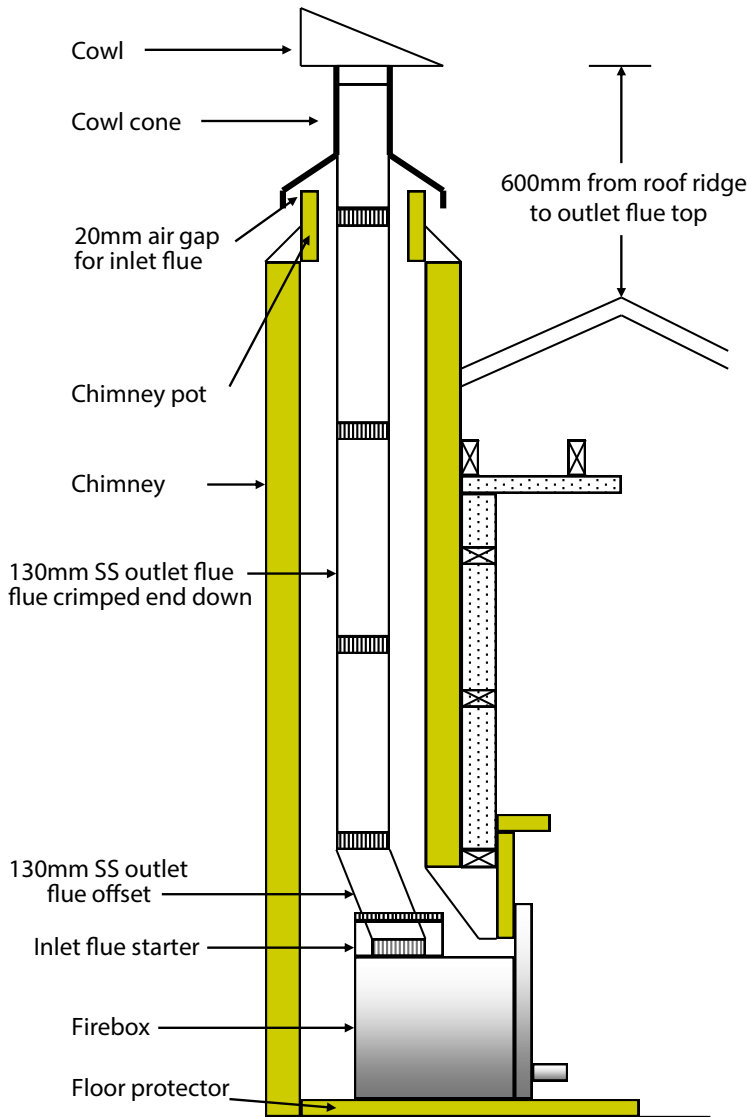


4.2m Flue Kit Components



 **IMPORTANT:** It is the responsibility of the installer to ensure that the installation of this appliance complies with AS/NZS 2918. The above installation diagrams are provided as a guide only.

insert clearances



IMPORTANT: It is the responsibility of the installer to ensure that the installation of this appliance complies with AS/NZS 2918. The above installation diagrams are provided as a guide only.