

TFS1000 - Freestanding Wood Fireplace

Information Sheet for Builders and Architects

FIRE BY **escea.**

SPECIFICATIONS

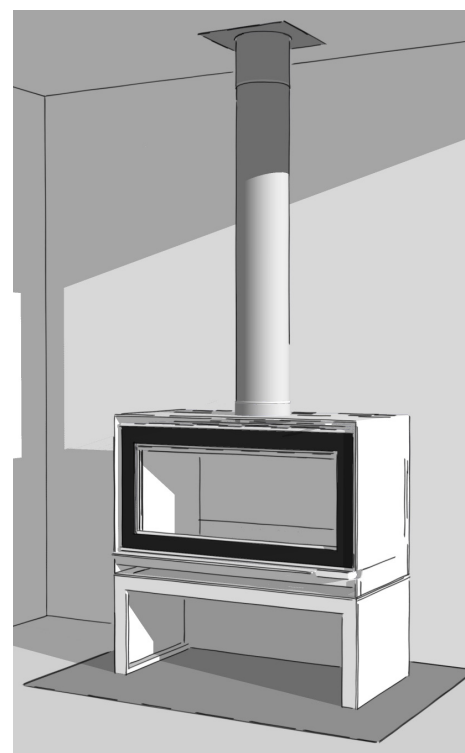
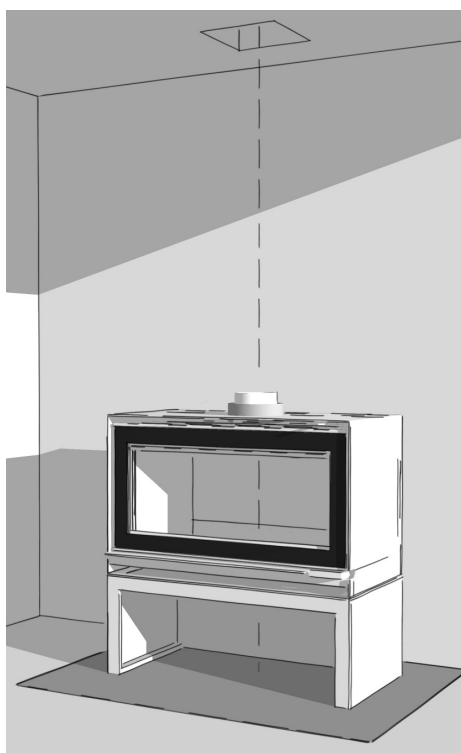
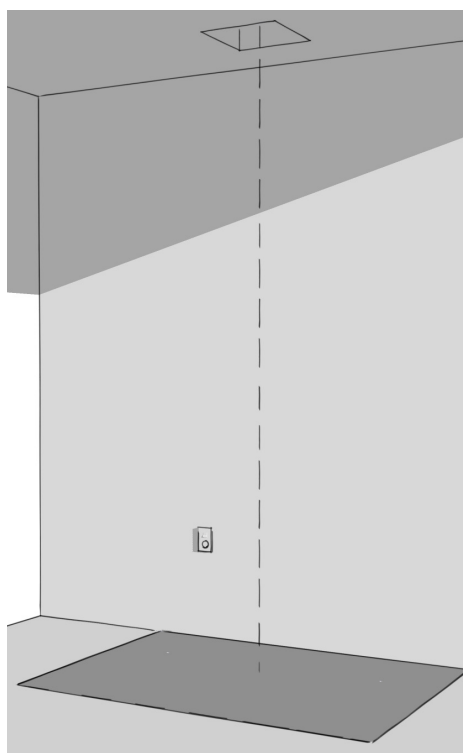
| | |
|-------------------------------------|--|
| Est. Heating Area | 150-220m ² |
| Efficiency | 62% |
| Average Particulate Emission | 1.00g/kg |
| Appliance Weight | 216kg |
| Fuel Type | Hardwood |
| Maximum Log Size | 750mm |
| Clean Air Approved | Yes (to AS/NZS 4012:2014 & AS/NZS 4013:2014) |
| Compliance | Clearance tested to AS/NZS 2918:2018 |
| Power Requirement | 3 Pin 10A 240V power supply |
| Damper Control | Yes - top right of the appliance |
| Flue Type | Natural Draught - Direct Vent * |
| Flue Size | 150mm Inner/200mm Outer/250mm outer |
| Flue Length (minimum) | 4.5m - from the top of the appliance |
| Combustion Air Intake | External |



| | |
|-------------------------|-------------------|
| Heat Shield | Not required |
| Glass Wash | Yes |
| Fire Bricks | Vermiculite |
| Convection Fan | Yes - 2 speed Fan |
| Room Ventilation | Not required |
| Wetback | Prohibited |

*Please refer to TFS650-1000 Flue Specification Guide for further guidance.

INSTALLATION



- A location is selected with electrical supply within 1m of the fireplace.
- Obtain flue centreline to ensure the flue run is clear from obstructions.
- Install the floor protector, allowing for all requisite safety clearances.

- Install the fireplace on a plinth, base or preformed heat resistant structure following the TFS1000 Installation Manual.
- It is recommended that only AHHA approved/accredited tradespeople should be used to install this fireplace.
- Fix the fire to the plinth, base, or structure and the plinth or base to the floor.

- Install the flue and liner to the correct configuration and height. The ceiling plate should be fitted at this time.
- Complete the installation by installing any additional components and connecting the electrical supply.
- Operate the fireplace for the first week with a hot fire and the damper fully open.

TFS1000 - Freestanding Wood Fireplace

Information Sheet for Builders and Architects

FIRE BY **escea.**

FLOOR PROTECTOR

A floor protector of a suitable non-combustible and heat resistant material is required when the fireplace base is at **375mm or more above** a combustible floor. The floor protector must be continuous and extend fully beneath the fireplace following the dimensions detailed below.

To reduce the 375mm clearance from a combustible floor to the fireplace base the fireplace must be installed over an insulating, heat resistant hearth complying with *AS/NZS 2918*.

FIREPLACE BASE

The TFS1000 Fireplace must be installed a minimum of **375mm** above the finished level of a combustible surface. A fully continuous and non-combustible base is required to support the load of the appliance and flue system above. Escea provides a GRC plinth or sheet-metal base option, which are designed to compliment the TFS1000 Fireplace.

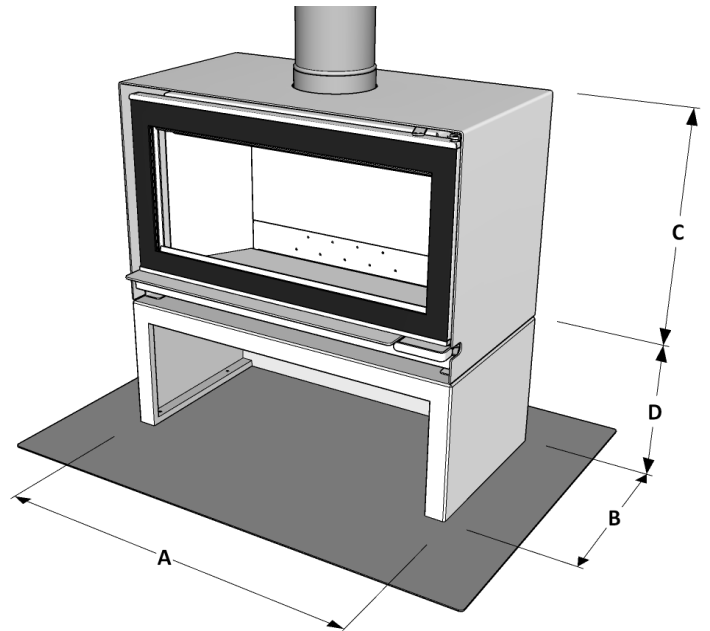
SEISMIC RESTRAINT

The fireplace must be restrained to the plinth, base or structure and the plinth or base to the floor. Fixings should be into a structural component (concrete or floor joist), be suitable for the location, and of the appropriate length.

APPLIANCE

The TFS1000 is constructed from 4mm painted mild steel panels with a 5mm glass door and utilises a direct vent co-axial flue system. Additionally, it has a heat activated, two speed fan that turns on to distribute heat further into your room.

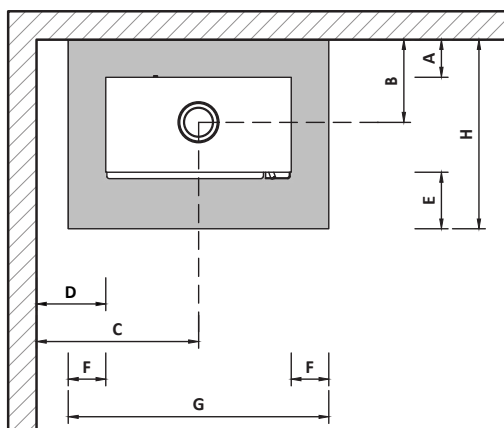
| | |
|--|-------------------|
| Appliance Width (A) | 988mm |
| Appliance Depth (B) | 506mm |
| Appliance Height (C) | 606mm |
| Minimum Appliance Height from Floor (D) | 375mm |
| Minimum Ceiling Height from top of TFS1000 | 1420mm |
| Firebox Opening Size | 871mm W x 368mm H |
| Glass Viewing Area | 940mm W x 480mm H |
| Door Handle Height off Base | 94mm |
| Damper Control Handle Height off Base | 595mm |
| Ash Lip Height off Base | 168mm |



CLEARANCES

All clearances are prescribed for their proximity to adjacent combustible and heat sensitive materials, including timber framed walls. To reduce these dimensions follow the requirements in *AS/NZS 2918 - Sec 3*.

Parallel



| TFS1000 | |
|---------|--------|
| A | 200mm |
| B | 440mm |
| C | 864mm |
| D | 370mm |
| E | 300mm |
| F | 200mm |
| G | 1388mm |
| H | 1006mm |

Objects placed in front of the fireplace should maintain a safe distance. Materials handle heat differently and it is recommended to keep all objects a minimum of 1.2m from the fireplace.

Corner

