

FULLY RECESSED ELECTRIC FIREPLACE

Model#: ■ BEF-50BIF03 (Linear 50) ■ BEF-72BIF03 (Linear72)

OWNER'S MANUAL



ambe[®]

50" / 72" - Built-in Electric Fireplace

AC 220-240V 50Hz 1400-1600W

WARNING

Read and understand this entire owner's manual, including **all safety information, before plugging in or using** this product. Failure to do so could result in **fire, electric shock, or serious personal injury.**

CAUTION

Keep this owner's manual for future reference. If you sell or give this product away, **make sure this manual accompanies this product.**

Rev_1



IMPORTANT SAFETY INFORMATION!

WARNING

When using electrical appliances basic precautions should always be followed to reduce the risk of fire, electric shock and injury to persons, including the following:

- Read all instructions before using this heater.
- This heater is hot when in use. To avoid burning, do not touch hot surface. If provided, use handles when moving this heater. Keep combustible materials, such as furniture, pillows, bedding, papers, clothes, and curtains at least 1 m from the front of the heater and keep them away from the sides and rear. In order to avoid overheating, do not cover the heater.
- Extreme caution is necessary when any heater is used near children or the infirm and whenever the heater is left operating and unattended.
- Do not operate any heater with a damaged cord or plug or after the heater malfunctions, has been dropped damaged in any manner, return heater to authorized service facility for examination, electrical or mechanical adjustment, or repair.
- Indoor use only, do not use outdoors.
- This heater is not intended for use in bathrooms, laundry areas and similar indoor locations. Never locate heater where it may fall into a bathtub or other water container.
- Do not run cord under carpeting. Do not cover cord with throw rugs, runners, or similar coverings. Arrange cord away from traffic area and where it will not be tipped over.
- To disconnect heater, turn controls to off, then remove plug from outlet.
- Do not insert or allow foreign objects to enter any ventilation or exhaust opening as this may cause an electric shock or fire, or damage the heater.
- To prevent a possible fire, do not block air intakes or exhaust in any manner. Do not use on soft surfaces, like a bed, where openings may become blocked.
- A heater has hot surfaces and arcing or sparking parts inside. Do not use it in areas where gasoline, or flammable liquids are used or stored.
- Use this heater only as described in this manual. Any other use not recommended by the manufacturer may cause fire, electric shock, or injury to persons.
- DANGER-HIGH Temperatures may be generated under certain abnormal conditions. Do not partially or fully cover or obstruct the front of this heater.
- Replacement of the LEDs should only be done by a qualified technician or service agency while the heater is disconnected from the supply circuit.
- This appliance is not intended for use by persons (including children) with reduced physical, sensory or capabilities, or lack of experience and knowledge, unless they have been given supervision or instruction concerning use of the appliance by a person responsible for their safety. Children should be supervised to ensure that they do not play with the appliance.
- CAUTION: In order to avoid a hazard due to inadvertent resetting of the thermal cut-out, this appliance must not be supplied through an external switching device, such as a timer, or connected to a circuit that is regularly switched on and off by the utility.
- Do not use outdoors.
- Do not use in immediate surroundings of water, bath, shower, or pool etc.

Preparation

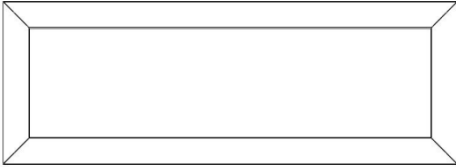

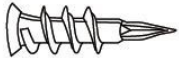

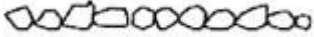




This product includes a **GLASS panel!** Always use **extreme caution** when handling **glass**. Failure to do so could result in **personal injury** or **property damage**.

Remove all parts and hardware from the carton and place them on a clean, soft, dry surface. Parts and assembly steps are grouped for free-standing or wall-hanging use. Check the parts list to make sure nothing is missing. Dispose of packaging materials properly. Please recycle whenever possible.

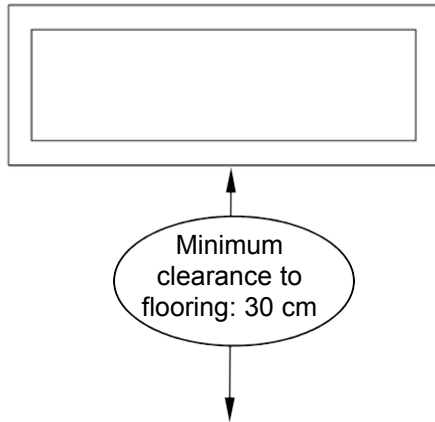
You will need the following tools (not included): Phillips screwdriver; stud finder; level; tape measure; electric drill; 1/4" wood drill bit, hammer.

Parts and Hardware

 <p>A – Fireplace</p>	 <p>B – Wood Screws</p>	 <p>C – Drywall Anchors</p>
 <p>F – Decorative Clear Crystals (Big & Small)</p>	 <p>D - Decorative Pebbles</p>  <p>RC - Remote Control</p>	 <p>E – Decorative Black Crystals</p>

Installation and Assembly

Front View of Fireplace



Step 1. Find a safe location.

Minimum clearance to flooring: 30 cm
Choose a location near an outlet so an extension cord is not required.

DO NOT position the unit **directly below** a power outlet.

See **Safety Information** on **pages 2 and 3** for warnings about **safe placement, safe installation, and proper use** of this product.



ALWAYS unplug this fireplace **before assembly or cleaning, or before relocating.**
Failure to do so could result in **electric shock, fire, or personal injury.**

Installation

STEP 1. Select a dry wall to open a hole for fireplace box. Size of cavity as below chart

Model No.	W	H	T
BEF- 50BIF03	1215mm	432mm	170mm
BEF- 72BIF03	1775mm	432mm	170mm

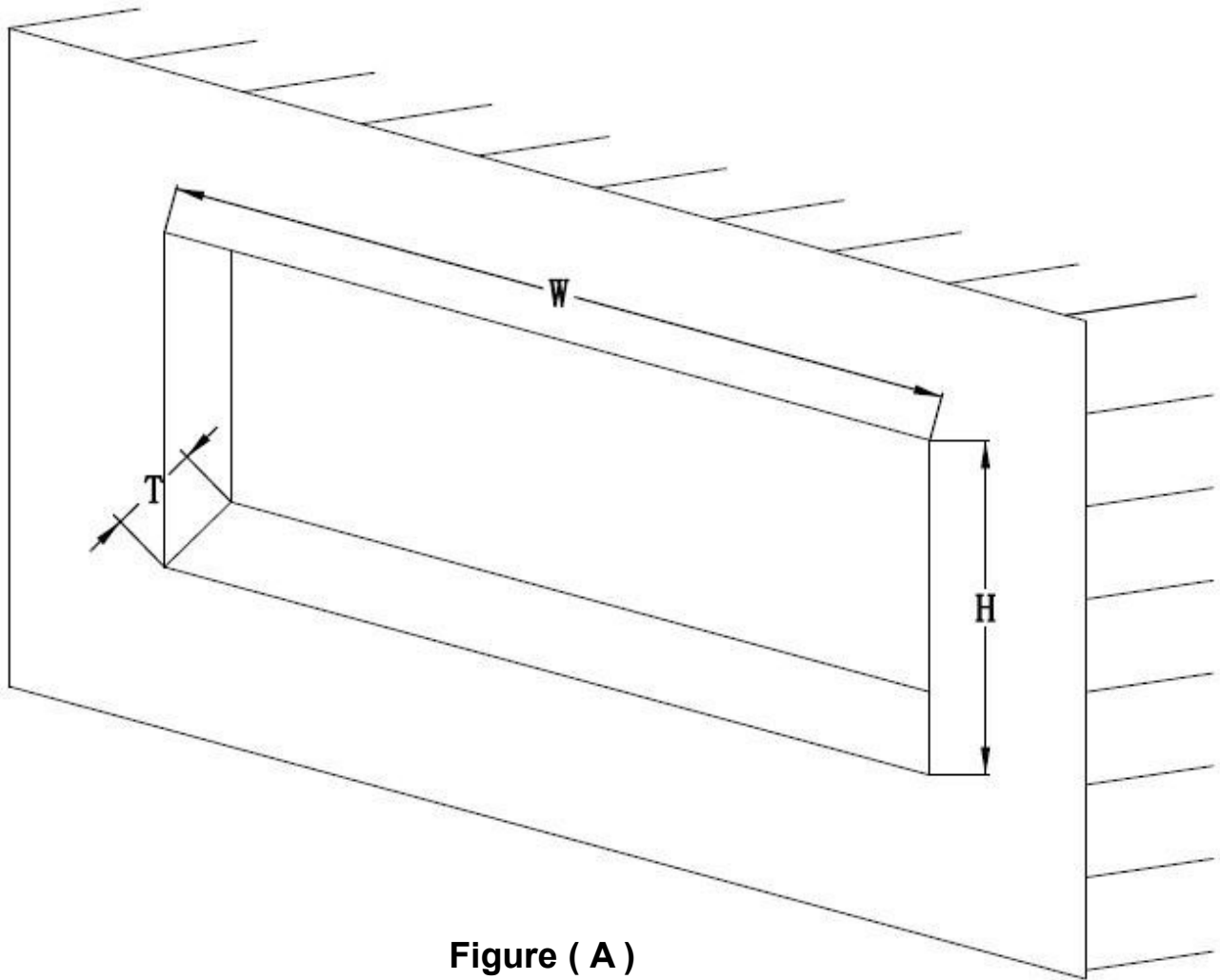


Figure (A)

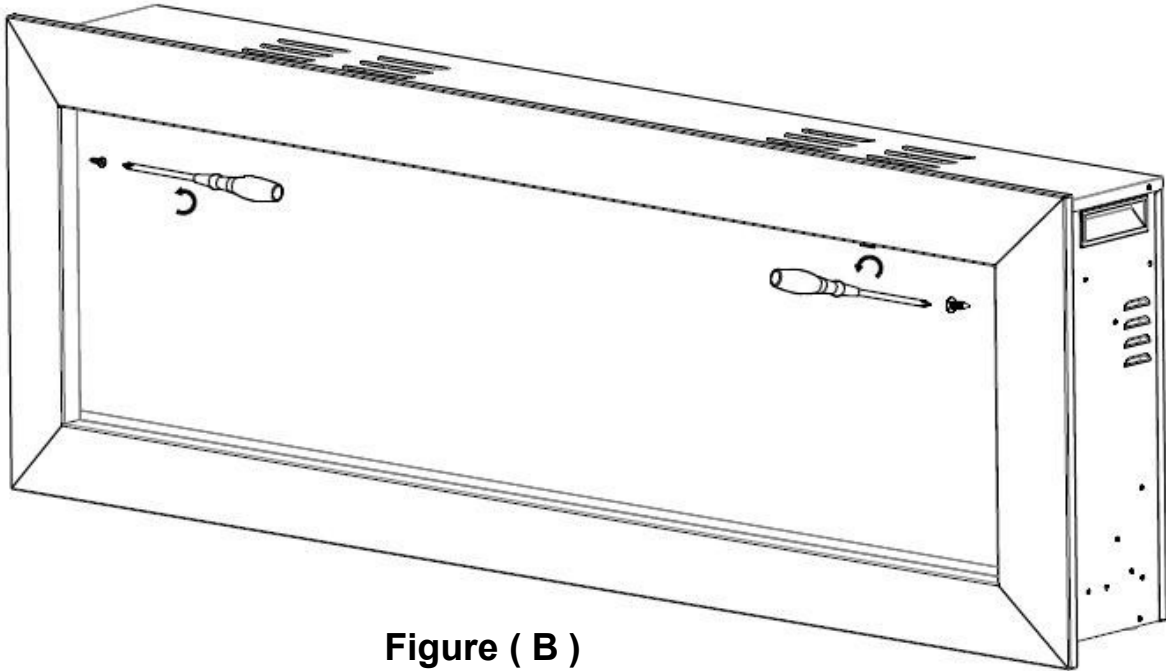


Figure (B)

STEP 2. Place the fireplace in a **clean dry place**. Use the screw driver to take off the **TWO** screws in both sides. **Figure (B)**

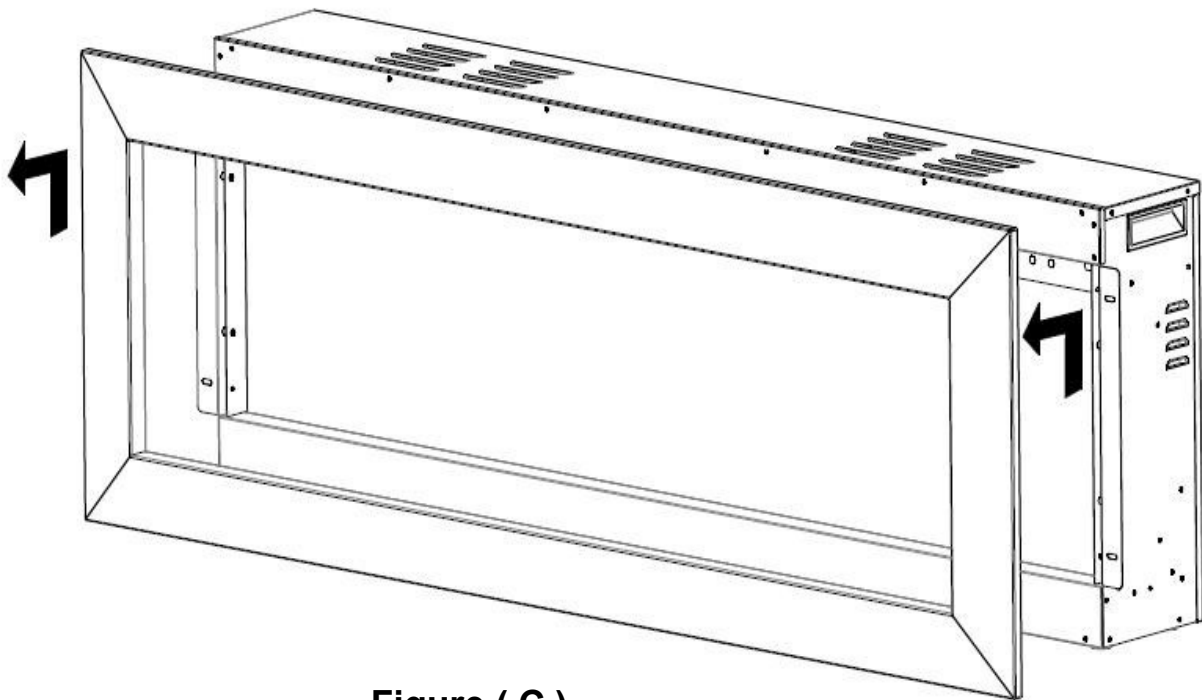


Figure (C)

STEP 3. Have two people pull the trim up, and then take them out of the fireplace box. **Figure (C)**

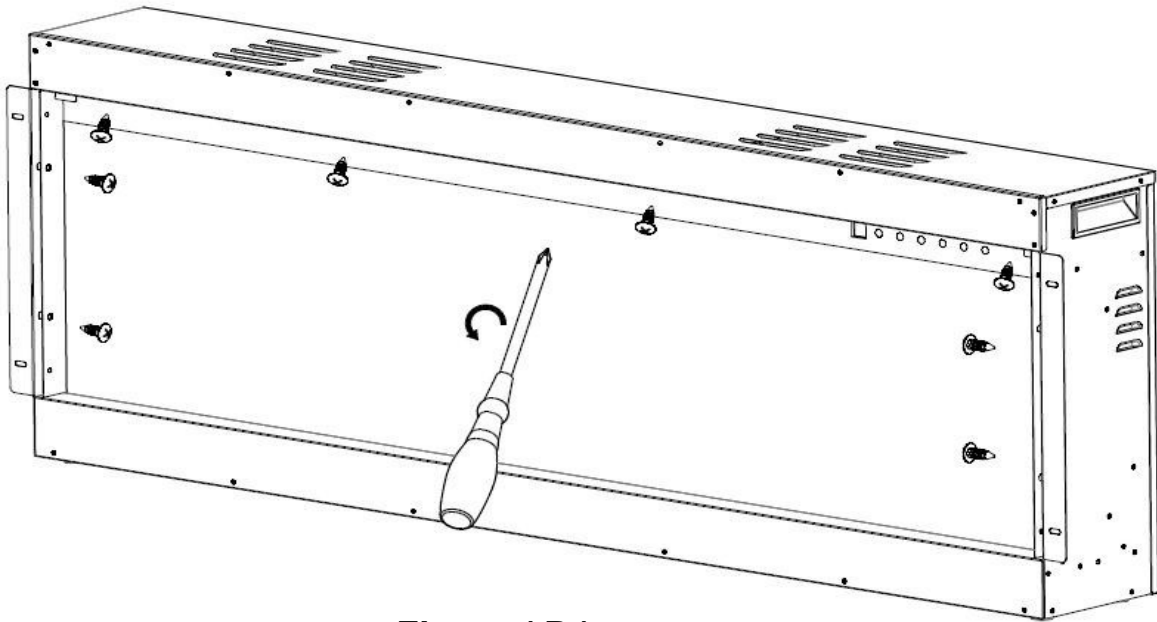


Figure (D)

STEP 4. Use the screw driver to take off the 8 screws as above **Figure (D)**. Have two people take out the glass panel **Figure (E)** and move it to a clean area taking care to avoid scratching.

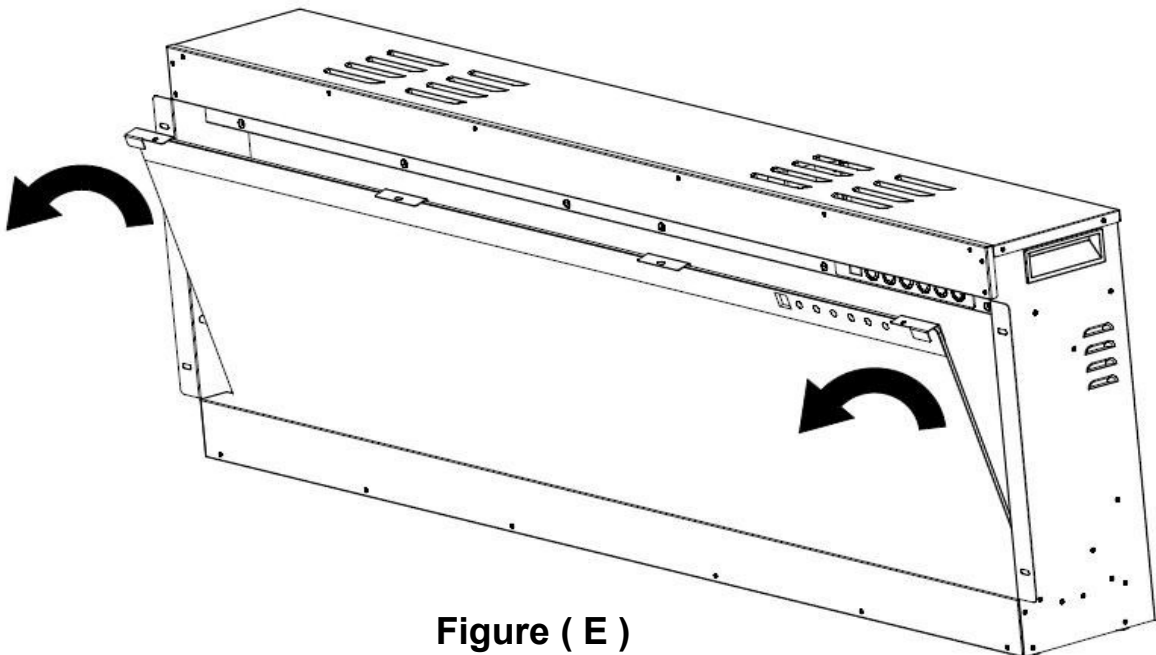


Figure (E)

STEP 5. Have two people lift the fireplace box and put it into the hole. Fix the FOUR wall screws in each side of the fireplace box. **Figure (F)**

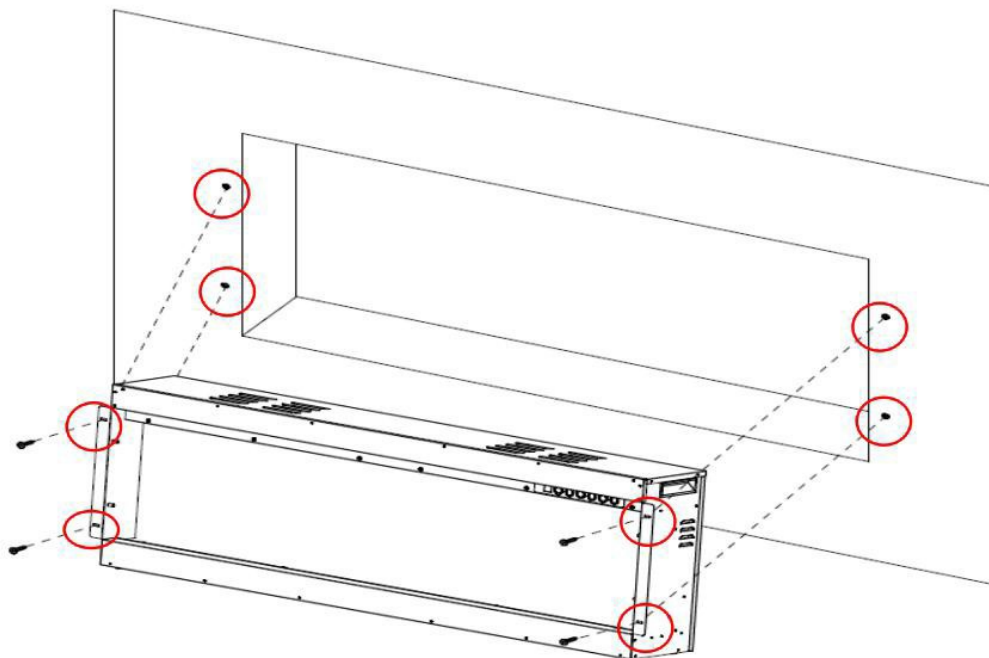


Figure (F)

STEP 6. Place the Decorative Crystals and Drift Log pieces on the designed slot and keep them even. **Figure (G)**

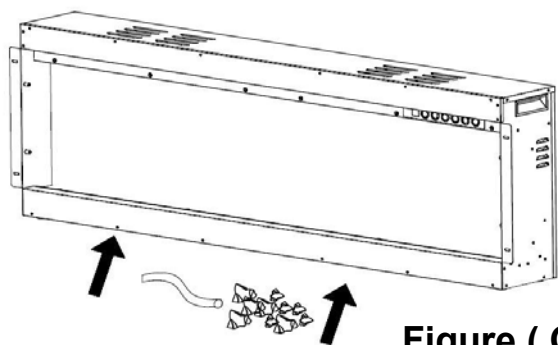


Figure (G)



STEP 7. After placing the Decorative Crystals or Pebbles on the designed slot, fasten screws back on the glass panel and metaltrim.
(Repeat as **Fig B,C,D,E**)

Operation



Read and understand this entire owner's manual, including **all safety information**, before plugging in or **using** this product. Failure to do so could result in **electric shock, fire, serious injury, or death.**

Power

Plug the power cord into an outlet or hard wire the appliance. If you choose to hard wire the appliance, it **MUST** have a dedicated isolation switch accessible after installation.

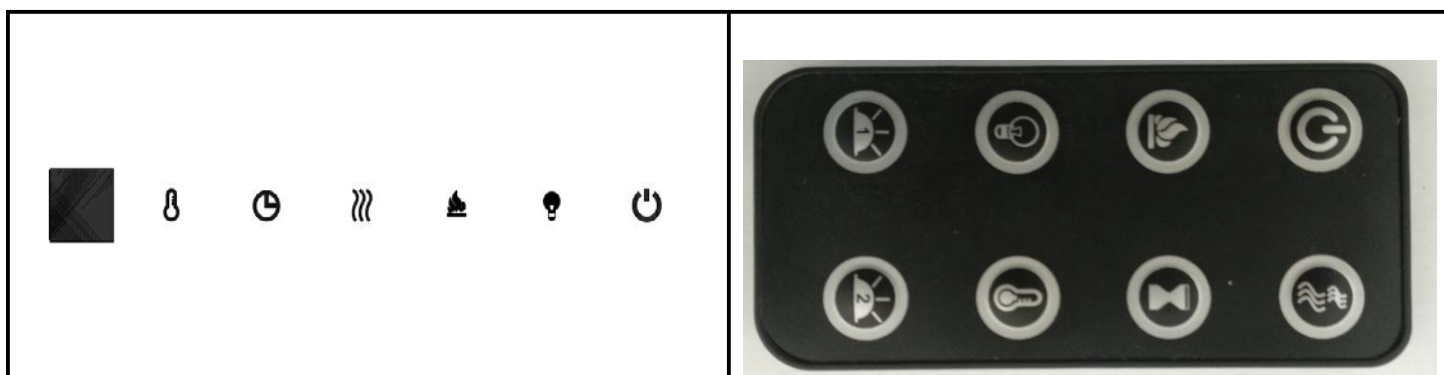
Warning: do not attempt to wire your own new outlets or circuits. Always use a licensed electrician.

Methods of Operation

This electric fireplace can be operated by the TOUCH PANEL, located on the right side panel of the fireplace (see figure below), or by the battery-powered REMOTE CONTROL.






The operation and functions of the two methods are the same.




Before operating, please review the **IMPORTANT SAFETY INFORMATION** on **Pages 2 and 3**, and heed all warnings.



Touch Panel

Remote Control & Touch Panel Operation

BUTTON	FUNCTION	ACTION & INDICATION
 POWER	<p>ON: Enables control panel functions and remote control. Turns on flame effect.</p> <p>OFF: Disables control panel functions and remote control. Turns off flame effect.</p>	<ol style="list-style-type: none"> Press once. Indicator light turns on. Power turns on. All functions enabled. Press again. Flame effect turns off. Unit goes to standby. All functions turn off.
 TIMER	<p>TIMER button: Controls timer settings to turn off fireplace at selected time.</p> <p>Settings range from 0.5 hours to 8 hours.</p>	<ol style="list-style-type: none"> Press once. Indicator light turns on. Timer is set to 0.5 hours. Press again until desired setting is reached. Indicator lights show setting.
 FLAME	<p>FLAME button: Makes flame effect dimmer and brighter.</p> <p>NOTE: Flame effect stays on until power button is turned off. Flame effect must be on for heater to turn on.</p>	<ol style="list-style-type: none"> Press once. Flame brightness effect gets changing. Press again. until desired setting is reached.
 COLOR	<p>COLOR button: Changes the color of the flame effect.</p> <p>NOTE: color effect stays on until power button is turned off. Color flame effect must be on for heater to turn on.</p> <p>NOTE: The fireplace will remember color selection.</p>	<ol style="list-style-type: none"> Press once. Flame color changes. Press again until desired setting is reached.
 HEATER	<p>HEATER button: Turns heater on and off.</p> <p>NOTE: The heater only works when the flame effect is on. If the flame effect is off, the heater will not turn on.</p> <p>NOTE: To prevent overheating, the heater fan will blow cool air for 8-10 seconds before the heater turns on, and after the heater turns off.</p>	<ol style="list-style-type: none"> Press once. Indicator lights up. Fan blows cool air for 10 seconds. 750W heater turns on and blows warm air. Press again. Indicator lights up. 1500W heater turns on and blows hot air. Press again. Heaters turn off. The fan blows cool air for 10 seconds to allow heater to cool down, then turns off.

	<p>TEMPERATURE button: Turns heater on and off.</p> <p>NOTE: Press the button for 5 seconds, the temperature setting will switch from °C to °F. Same way from °F to °C.</p>	<p>1. Press once: Touch panel indicator becomes active.</p> <p>2. Press again: until desired setting is 'Reached. Digital display shows setting circles as below:</p> <table border="1" data-bbox="894 373 1511 464"> <thead> <tr> <th>Display</th> <th>0</th> <th>1</th> <th>2</th> <th>3</th> <th>4</th> <th>5</th> <th>6</th> <th>7</th> <th>8</th> <th>9</th> <th>10</th> <th>N</th> </tr> </thead> <tbody> <tr> <td>°C</td> <td>20</td> <td>21</td> <td>22</td> <td>23</td> <td>24</td> <td>25</td> <td>26</td> <td>27</td> <td>28</td> <td>29</td> <td>30</td> <td>C</td> </tr> <tr> <td>°F</td> <td>68</td> <td>70</td> <td>72</td> <td>74</td> <td>76</td> <td>78</td> <td>80</td> <td>82</td> <td>84</td> <td>86</td> <td>88</td> <td>F</td> </tr> </tbody> </table>	Display	0	1	2	3	4	5	6	7	8	9	10	N	°C	20	21	22	23	24	25	26	27	28	29	30	C	°F	68	70	72	74	76	78	80	82	84	86	88	F
Display	0	1	2	3	4	5	6	7	8	9	10	N																													
°C	20	21	22	23	24	25	26	27	28	29	30	C																													
°F	68	70	72	74	76	78	80	82	84	86	88	F																													
	<p>LED Ember light button (1): Changes the color of the bottom (ember) lighting.</p> <p>NOTE: Ember color effect stays on until power button is turned off.</p>	<p>1. Press once. Ember color effect is changed.</p> <p>2. Press again. until desired setting is reached, in total a cycle of 10 colors.</p>																																							
	<p>LED Bottom light button (2): Makes the color on bottom (ember) lighting effect automatically cycle (flash) through color options.</p> <p>NOTE: Ember color effect stays on until power button is turned off.</p>	<p>1. Press once. Ember color effect is changed automatically.</p> <p>2. Press again. Ember color effect flashes and is changed automatically.</p>																																							

NOTICE When the fireplace is first turned on, a slight odor may be present. This is normal and should not occur again unless the fireplace is not used for a long period of time.

NOTICE To improve operation, **aim** the remote control at the front of the fireplace. **DO NOT press the buttons too quickly.** Give the unit time to respond to each command.


Temperature Limiting Control

This heater is equipped with a Temperature Limiting Control. Should the heater reach an unsafe temperature, the heater will automatically turn OFF. To reset:

1. Unplug the power cord from the outlet.
2. Turn the ON/OFF switch on the CONTROL PANEL to OFF. **Wait 5 minutes.**
3. Inspect the fireplace to make sure no vents are blocked, or clogged with dust or lint. If they are, use a vacuum to clean the vent areas.
4. With the POWER switch in the OFF position, plug the power cord back into the outlet.
5. If the problem continues, have your outlet and wiring inspected by a professional.

Remote Control Battery Information

- This remote control uses CR2025 **battery(included).**
- Instructions for battery installation are on the Remote Control battery compartment.

 **NEVER** dispose of batteries in **fire.** Failure to observe this precaution **may result in an explosion.** Dispose of batteries at your local hazardous material processing center.

Care and Maintenance

Cleaning



ALWAYS turn the fireplace **OFF** and **unplug the power cord from the outlet** before cleaning, performing maintenance, or moving this fireplace. Failure to do so could result in **electric shock, fire, or personal injury**.



NEVER immerse in water or **spray with water**. Doing so could result in **electric shock, fire, or personal injury**.

Metal:

- Buff using a soft cloth, slightly dampened with a citrus oil-based product.
- **DO NOT** use brass polish or household cleaners as these products will damage the metal trim.

Glass:

- Use a good quality glass cleaner sprayed onto the cloth or towel. Dry thoroughly with a paper towel or lint-free cloth.
- **NEVER** use abrasive cleansers, liquid sprays, or any cleaner that could scratch the surface.

Vents:

- Use a vacuum or duster to remove dust and dirt from the fireplace and vent areas.

Plastic:

- Wipe gently with a slightly damp cloth and a mild solution of dish soap and warm water.
- **NEVER** use abrasive cleansers, liquid sprays, or any cleaner that could scratch the surface.

Maintenance



Risk of electric shock! DO NOT OPEN any panels ! No user-serviceable parts inside!



ALWAYS turn the fireplace **OFF** and **unplug the power cord from the outlet** before cleaning, performing maintenance, or moving this fireplace. Failure to do so could result in **electric shock, fire, or personal injury**.

Electrical and Moving Parts:

- The fan motors are lubricated at the factory and will not require lubrication.
- Electrical components are integrated in the fireplace and are not serviceable by the consumer.

Storage:

- Store fireplace in a clean dry place when not in use.



WARNING! NO SERVICING of the internal or electrical parts should be performed by the consumer. Do not service the unit yourself.

Troubleshooting

WARNING

DISCONNECT THE APPLIANCE COMPLETELY AND LET COOL PRIOR TO ANY SERVICE. ONLY A QUALIFIED SERVICE PERSON SHOULD SERVICE AND REPAIR THIS ELECTRIC APPLIANCE.

Problem	Possible Cause	Solution
1. Fireplace turns off and will not turn on.	1. Fireplace has overheated and safety device has caused thermal switch to disconnect or home circuit breaker has opened.	1. Reset switch by turning main power switch off and waiting 10 minutes then turning it back on or reset circuit breaker.
2. Flame is not moving.	1. Loose wiring. 2. Flame motor defective. 3. Flame rod out of place.	1. Inspect wiring for loose connections. 2. Call a qualified service technician to replace flame motor. 3. "Flame Rod" out of place due to rough transit/handling of the product. This issue can be corrected as simple as removing the glass, flipping the fireplace upside down, removing a set of screws that are holding the bottom frame plate and placing the flame rod back into place.
3. Flame is not visible.	1. Wiring is loose.	1. Disconnect from power source and inspect wiring for loose connections and repair or replace if necessary. 2. Push the flame button to high.
4. Log set and/or ember is not glowing.	1. Wiring is loose. 2. Ember is in off mode.	1. Disconnect from power source and inspect wiring for loose connections and repair or replace if necessary. 2. Ensure the ember button is pressed until on high.
5. Remote control does not work.	1. Low batteries. 2. Not aiming control correctly. 3. Defective remote control and /or sensor.	1. Replace batteries in remote control. 2. Aim control at sensor located directly behind glass screen in center of unit just above logs. 3. Replace remote control and/or sensor.
6. Fireplace will not come on when switch is flipped to ON.	1. Fireplace is not plugged into an electrical outlet. 2. Control failure. 3. Breaker tripped.	1. Check plug. 2. Call a qualified service technician. 3. Reset breaker.

<p>7. Heater does not provide heat when turned on.</p>	<p>1. Thermal switch has been tripped.</p> <p>2. Wiring is loose.</p> <p>3. Heater is defective.</p>	<p>1. Turn unit off and unplug unit for 10 minutes. Plug back in and turn unit on. If plug cannot be reached, follow directions for tripped circuit breaker.</p> <p>2. Disconnect from power source and inspect wiring for loose connections and repair or replace if necessary.</p> <p>3. Replace heater.</p>
<p>8. Touch panel / Remote Control do not work.</p>	<p>The front glass is moved or not secured properly.</p>	<p>Unplug the appliance, if the appliance is recessed to the wall, shut off house circuit breaker. Ensure the front glass is in the correct location and is sitting flat to the appliance touch panel. after 15 seconds, plug or turn on the appliance to reset it.</p>

CAUTION:To remove the glass, you will notice two screws on front both sides (right and left) of the fireplace. Once the screws are removed, slide the glass up and away from the fireplace. Once the bottom frame plate is removed, you will notice one flame motor on right side where the rod should be in place with the rubber plugs.

Please remember to always have the unit disconnected prior to any work, always lay glass as well as the unit on a towel or other material not to damage parts/frame.

This entire process should not take longer than 20-30 minutes.