

Amantii

Tru View Bespoke
Electric Fireplaces



Amantii Tru View Bespoke Electric Fireplaces

Electric Perfection

Introducing the Tru View Bespoke series from Amantii Electric, the ultimate in electric fires, using cutting edge technology and innovation to provide instant heat, realistic flames and adaptive ambience to your living space.

The Tru View Bespoke is the result of extensive research and development, meticulous attention to detail, and the highest standard of quality. With a host of innovative features, Amantii electric fires are unrivalled in their class.

Ideal Applications

- Apartments
- Residential spaces
- Commercial spaces
- Restaurants
- New construction or renovations
- Undercover Alfresco use

Features and Options

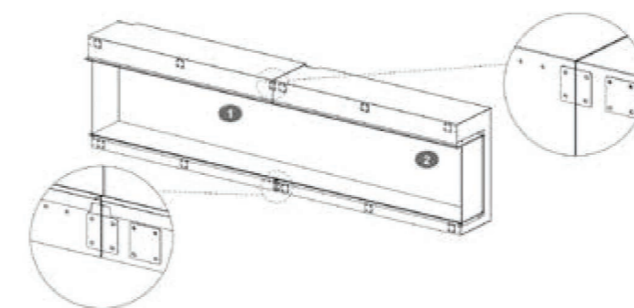
The combination possibilities are endless:

The Tru View Bespoke features customisable installation and connectable units for a grand masterpiece.

Available in sizes 45", 65" and 85", it is possible to create the size you want by simply placing two or three units together of any size. This increases the size of the fire and also the heat output.

Any of the units can be combined, providing endless possibilities.

45+45 = 90	65+45 = 110	85+45 = 130
45+65 = 110	65+65 = 130	85+65 = 150
45+85 = 130	65+85 = 150	85+85 = 170



Media Options

DESIGN MEDIA DRIFT 15PCE
Now includes an additional 4 mini logs (not shown)



DESIGN MEDIA RUSTIC 14PCE



DESIGN MEDIA BIRCH 15PCE



ICE MEDIA
FI-109-Diamond



Key Features

- ✓ 5 Year Warranty
- ✓ 2 kW
- ✓ Fire & Sound – Two quality audio speakers deliver a fire crackling sound
- ✓ Hidden venting and no grills
- ✓ WiFi to connect and control from your smartphone using the Amantii app
- ✓ Bluetooth Connectivity
- ✓ Programmable timer & thermostat
- ✓ Smart Room Temperature Control
- ✓ 50000 hours LED light source
- ✓ Approved for alfresco installations (2 year warranty)
- ✓ Designed with front flow heating and hidden venting to allow recessed or semi flush mounted
- ✓ Unrivalled true life-like flames
- ✓ Adjustable flame brightness and speed
- ✓ Adjustable ember bed colors
- ✓ Most quiet and reliable components in the industry

Technical Specifications

	AMHTVB45	AMHTVB65	AMHTVB85
Volts	240 V	240 V	240 V
Amps	12.5 A	12.5 A	12.5 A
Watts	2 kW	2 kW	2 kW
Lamps - quantity	150 PC LED	218 PC LED	335 PC LED
Lamps - watts	0.5 W & 0.15 W & 0.06 W	0.5 W & 0.15 W & 0.06 W	0.5 W & 0.15 W & 0.06 W
Appliance size - w x h x d	1172 x 746 x 382 mm	1681 x 745 x 382 mm	2189 x 746 x 382 mm
Glass viewing opening - w x h	1143 x 509 mm	1651 x 509 mm	2159 x 509 mm
Surround size - w x h	1148 x 752 x 336 mm	1656 x 752 x 336 mm	2165 x 752 x 336 mm
Shipping size	1310 x 480 x 880 mm	1818 x 480 x 880 mm	2326 x 480 x 880 mm
Shipping weight	70.7 kg	96 kg	127.5 kg



Included with every fire

STATE OF ART REMOTE



ADJUSTABLE COLOUR SPECTRUM



WIFI

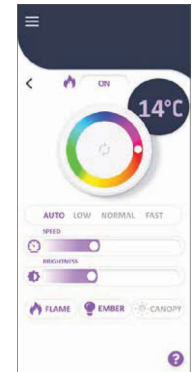


BLUETOOTH



Tuya Smart App

All Tru View fires are WiFi compatible to connect and control the fireplace from anywhere on your smartphone with the use of the Amantii app. Search for **Tuya Smart**, on the Google Play and Apple App Store.



castworks
home heating specialists

DISTRIBUTORS FOR

Amantii

The information contained in this brochure is to assist you in your choice of a suitable fire. It is not intended to be all the information required to install the fire and does not replace the installation manual which provides more detailed information. In the interest of product development Amantii reserves the right to change specifications without prior notice.

Your Amantii dealer